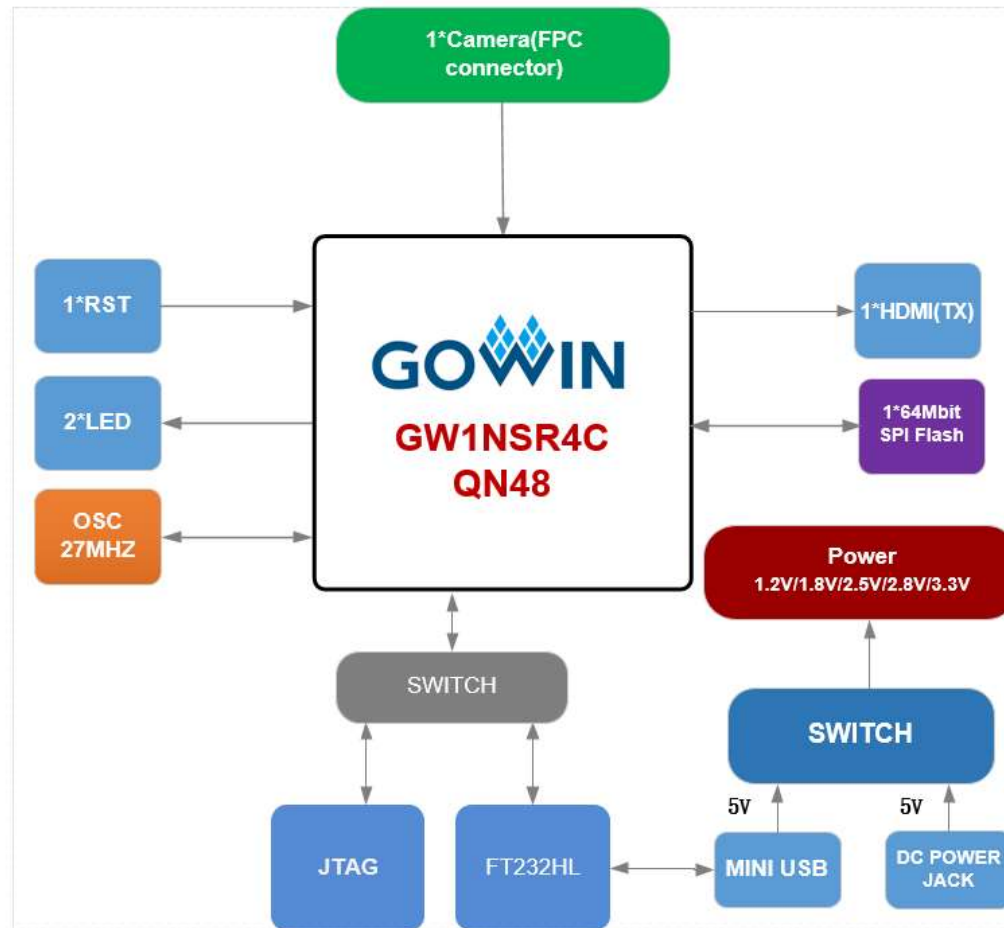
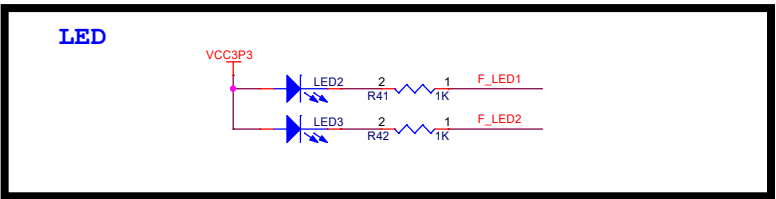
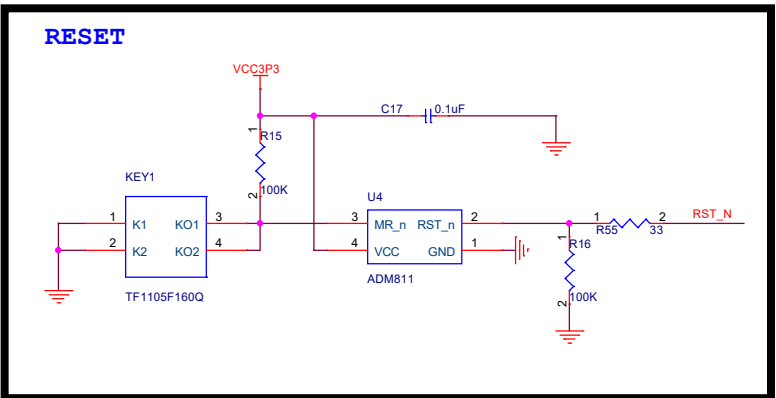
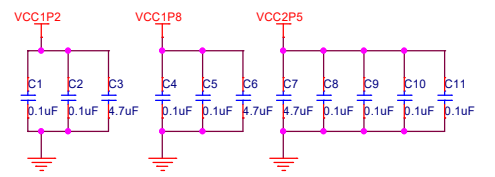
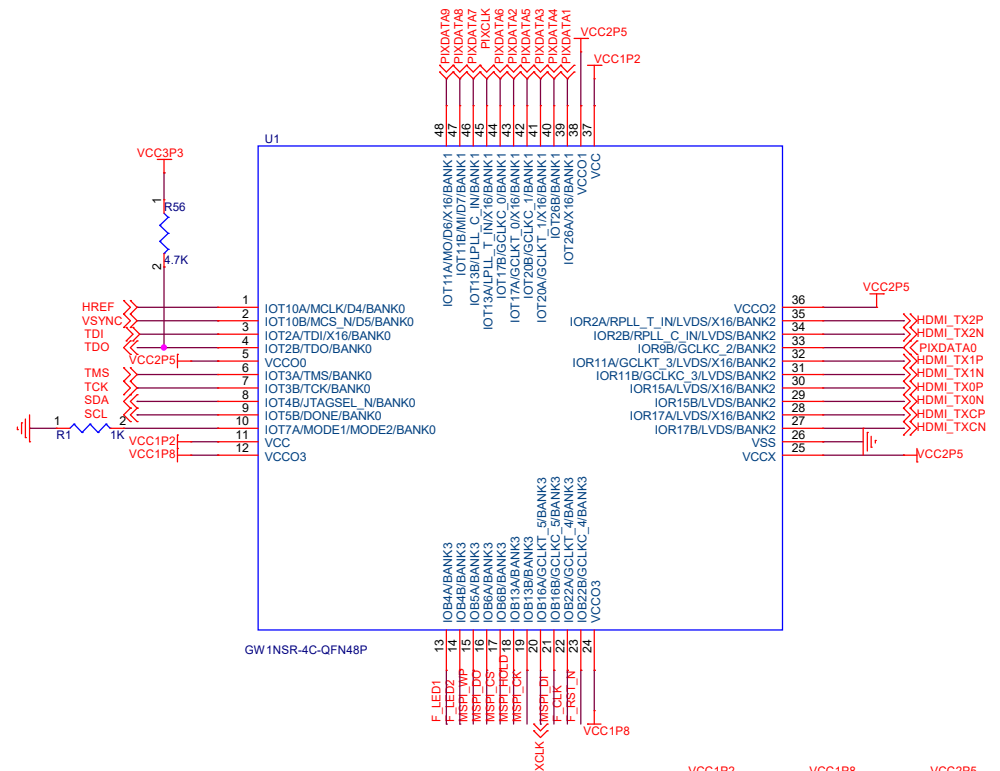
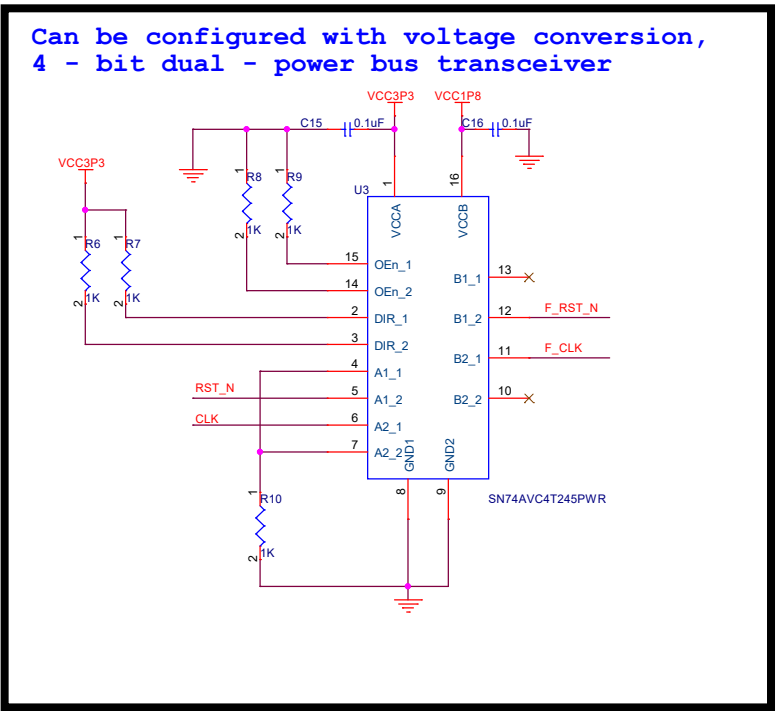
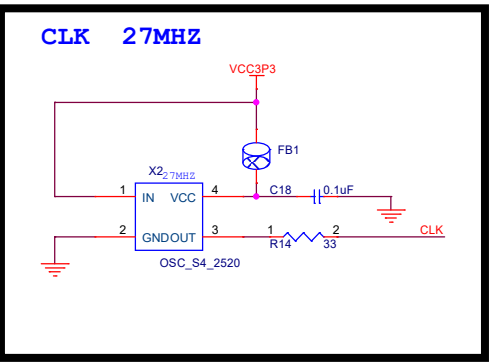
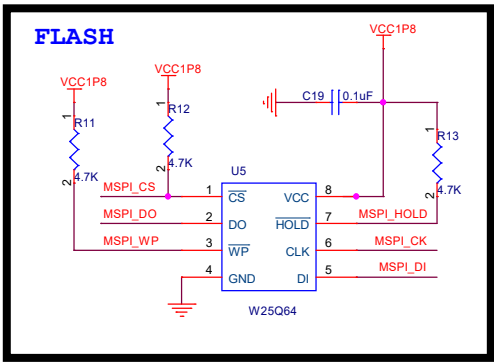


SCHEMATIC	CONTENT	PAGE
TOP	COVER PAGE	1-2
FPGA	FPGA	3
POWER	DC5V to 3.3V,2.8V,2.5V,1.8V,1.2V	4
DOWNLOAD	DOWNLOAD	5
INOUT	HDMI , PFC	6

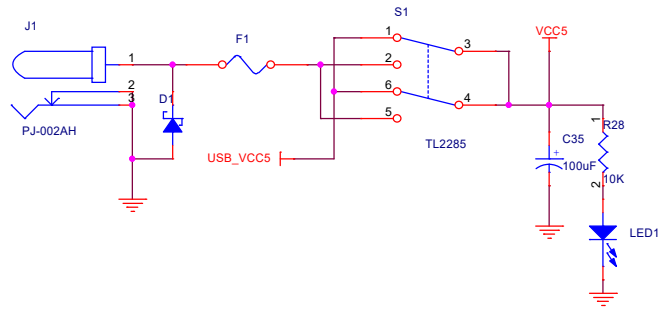


Title			
DK_GoAL_GW1NSR4CQN48			
Size	Document	Number	Rev
A3	Placement		V1.1
Date:	Sunday, September 28, 2021	Sheet	2 of 6

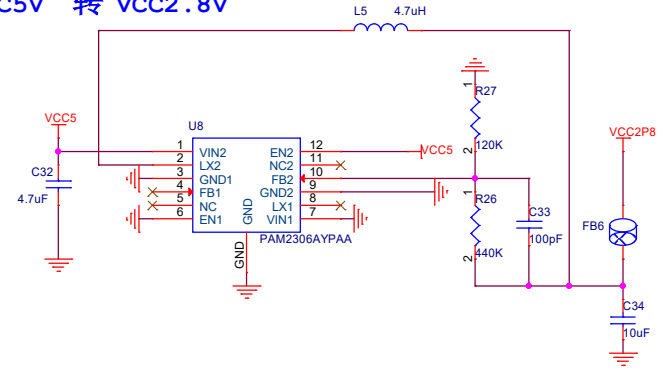


Title			DK_GoAl_GW1NSR4CQN48
Size	A3	Document Number	FPGA,CLK,FLASH,LED,KEY
Date:	Sunday, September 28, 2021	Sheet	3 of 6
			Rev V1.1

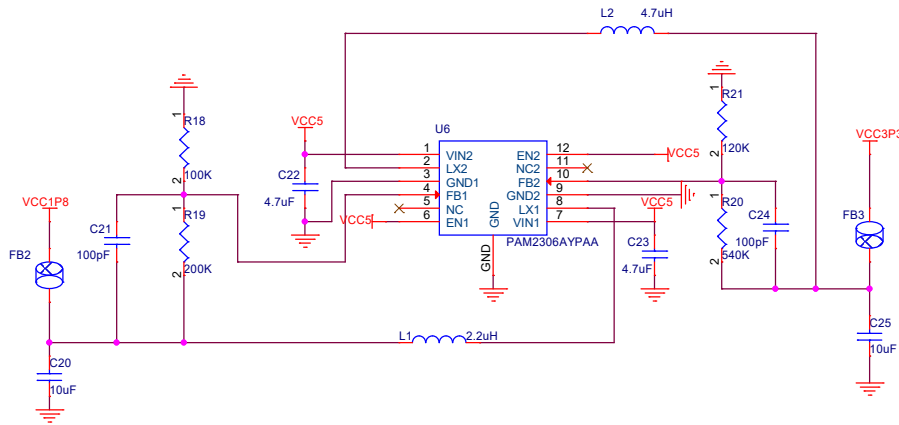
POWER INPUT



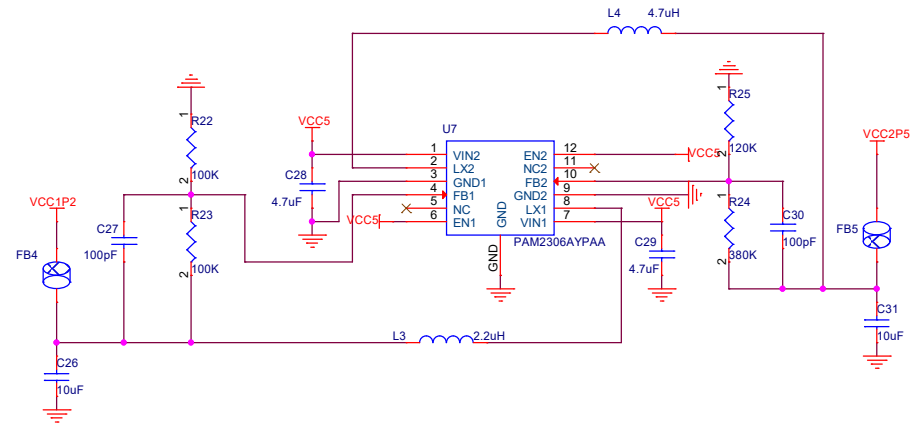
VCC5V 转 VCC2.8V



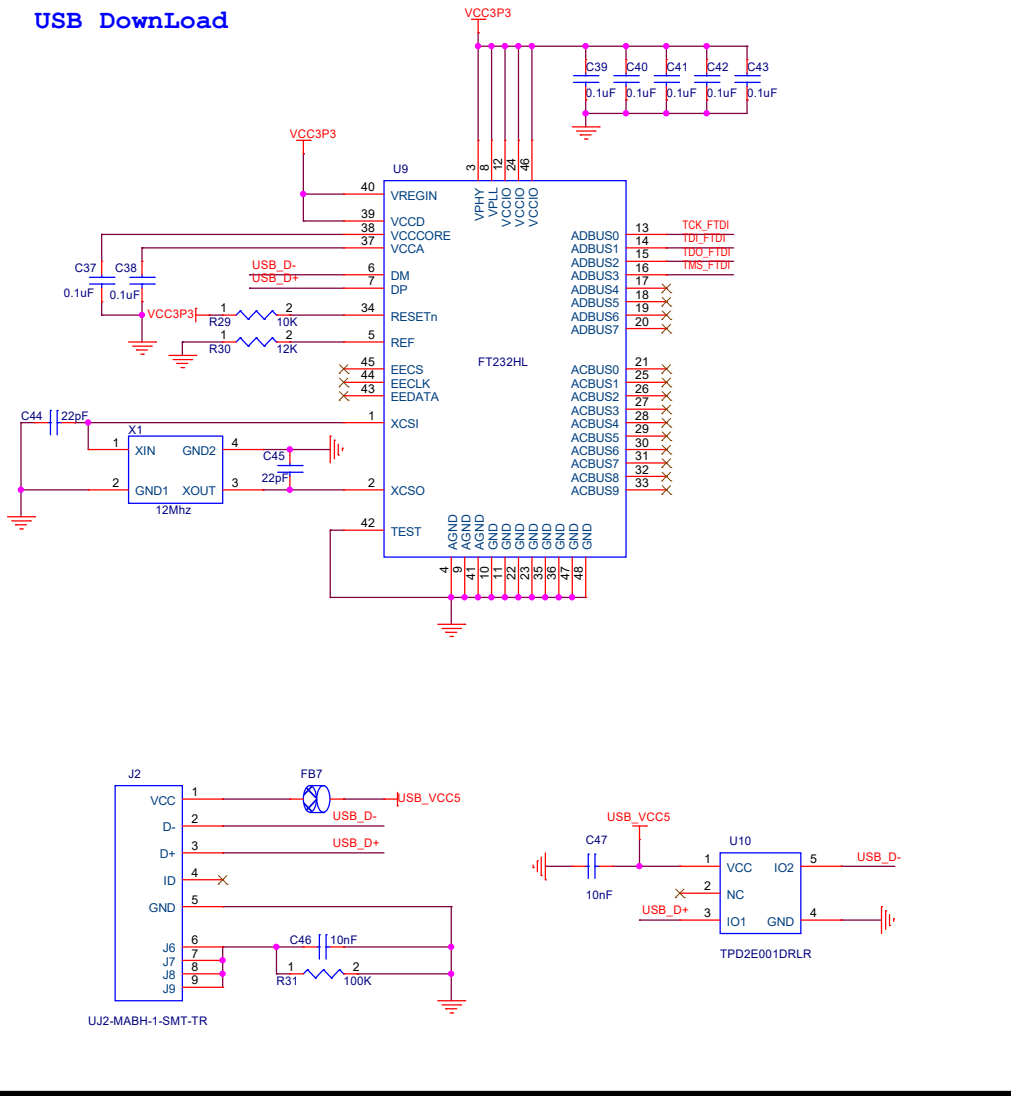
VCC5V 转 VCC3.3V、VCC1.8V



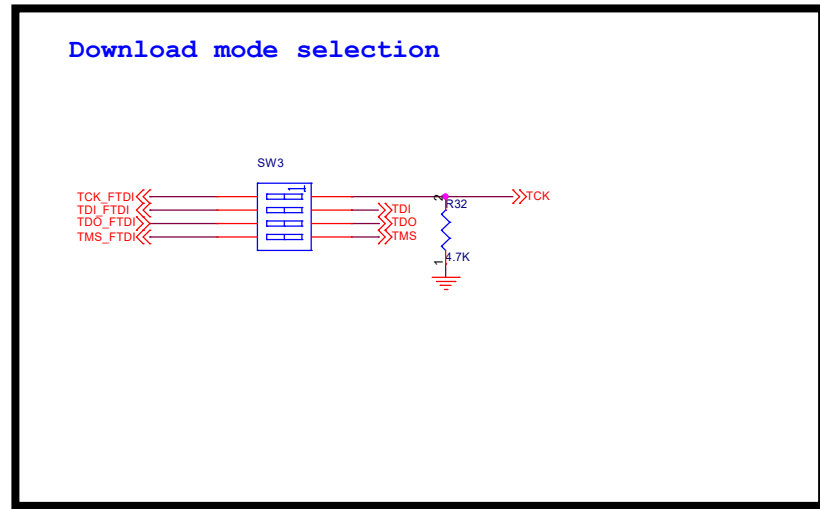
VCC5V 转 VCC2.5V、VCC1.2V



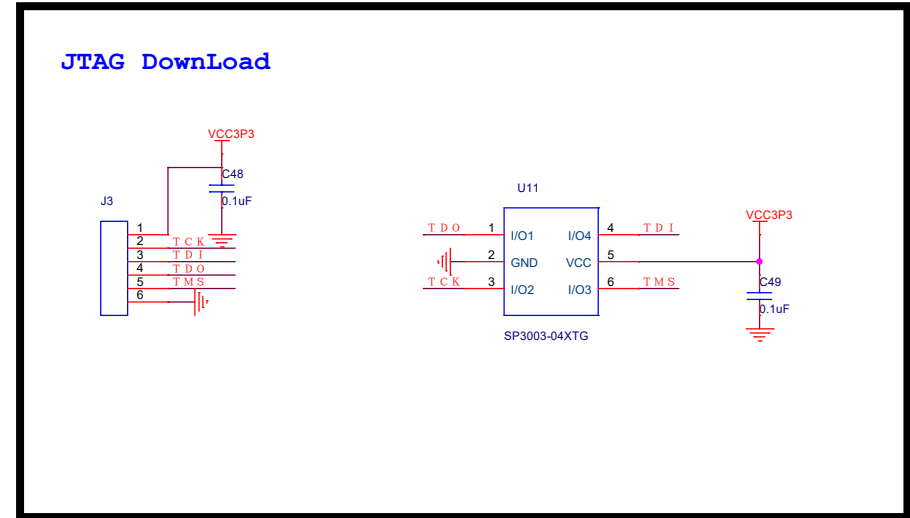
USB DownLoad



Download mode selection

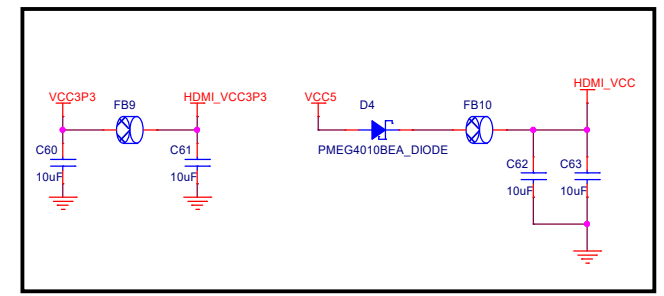
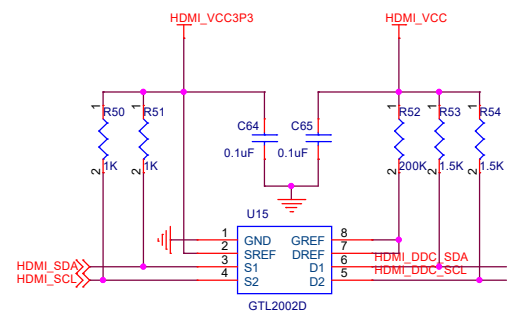
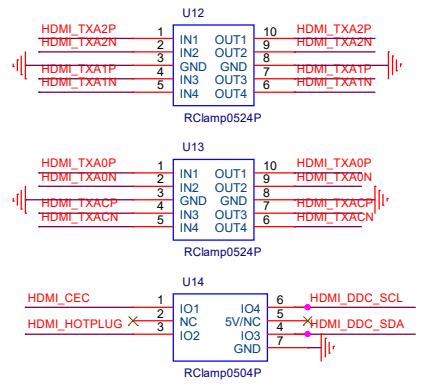
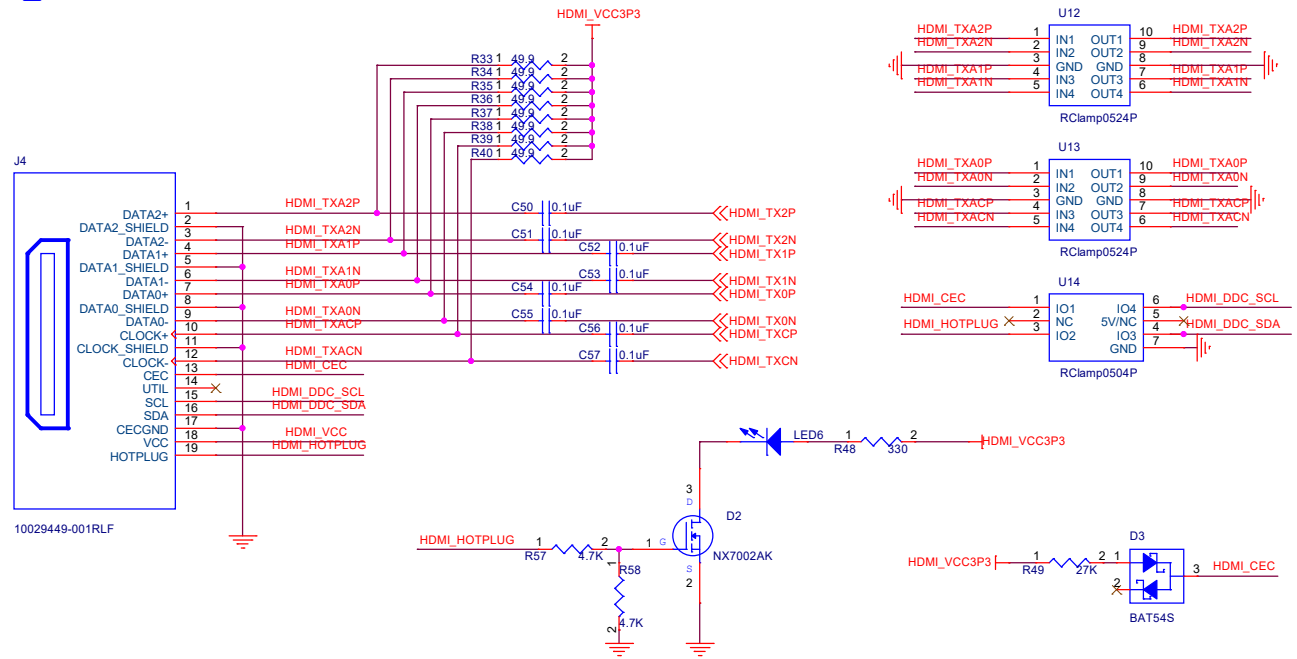


JTAG DownLoad



Title			DK_GoAL_GW1NSR4CQN48
Size	Document	Number	Rev
A3	Download		V1.1
Date:	Sunday, September 28, 2021	Sheet	5 of 6

HDMI_TX



Camera

