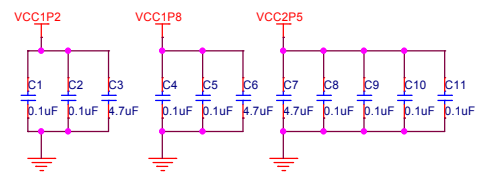
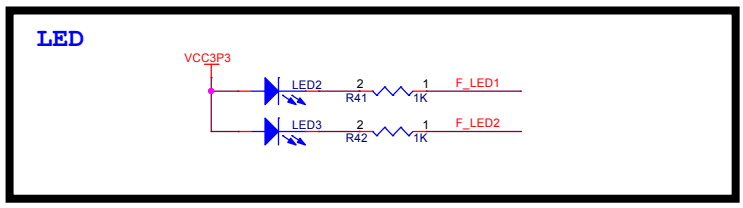
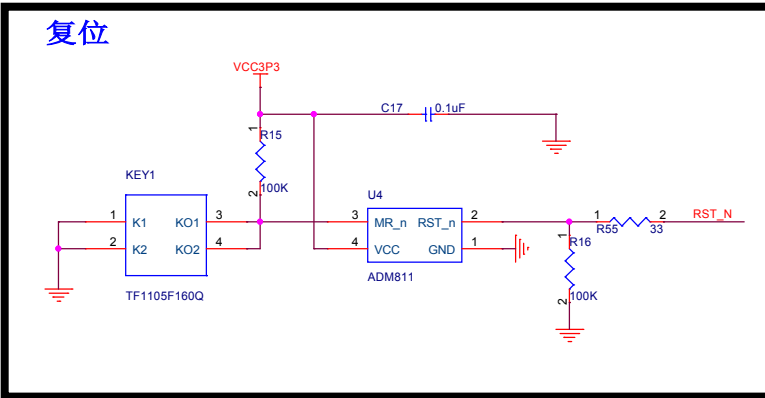
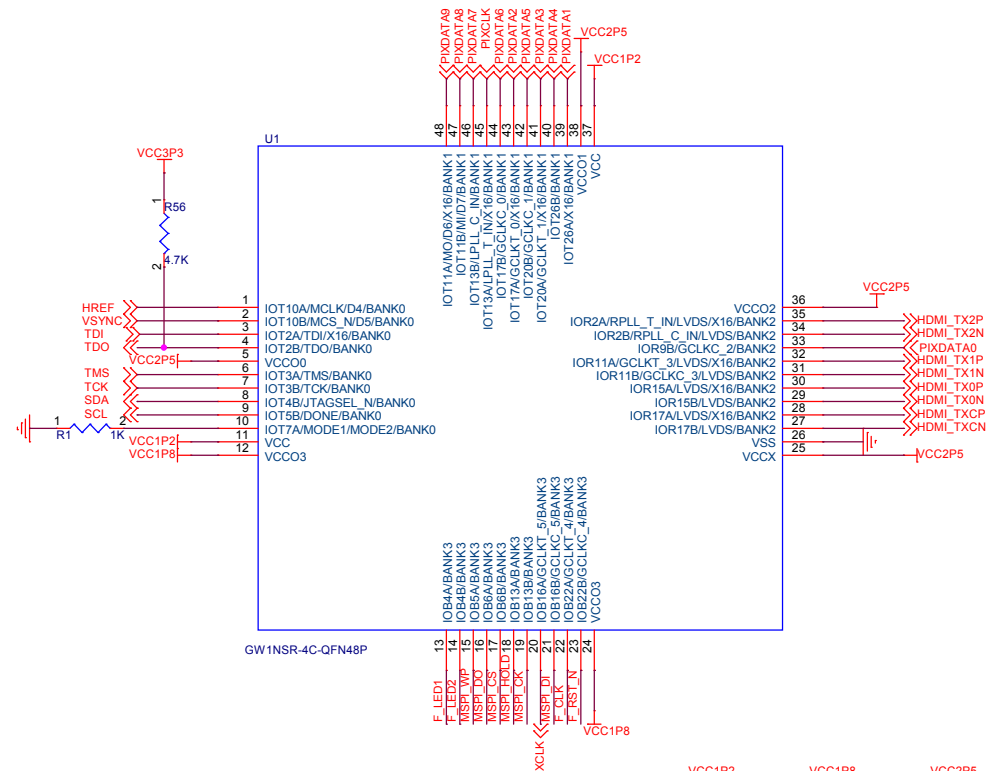
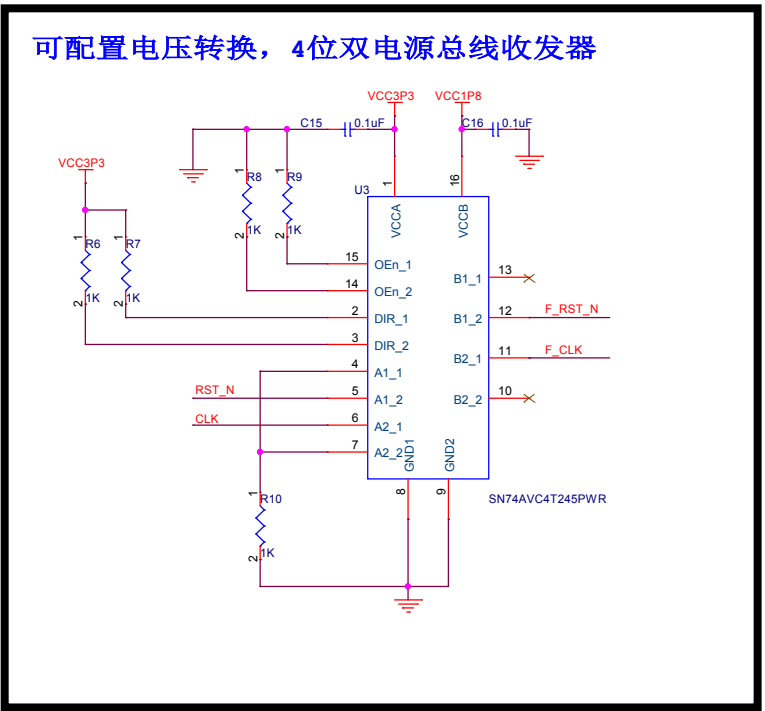
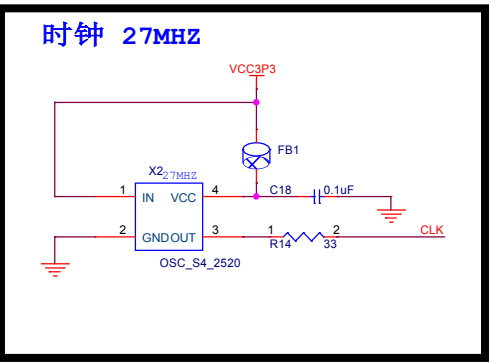
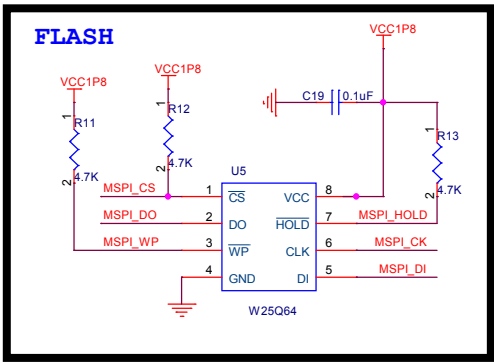
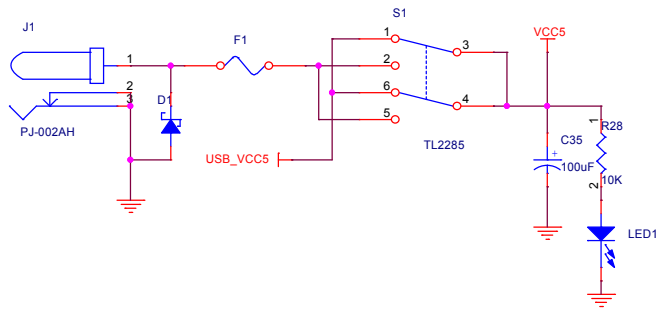


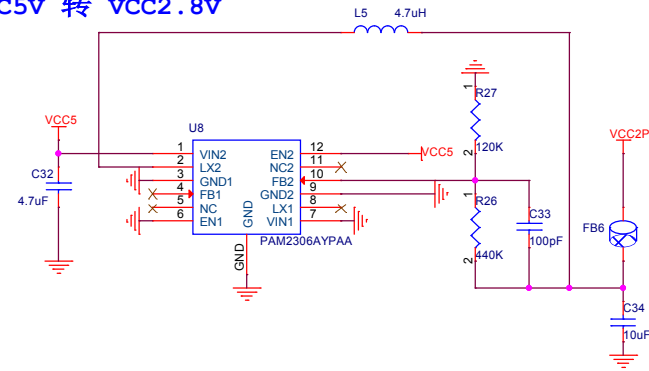
SCHEMATIC	CONTENT	PAGE
TOP	COVER PAGE	1
FPGA	FPGA	2
POWER	DC5V to 3.3V,2.8V,2.5V,1.8V,1.2V	3
DOWNLOAD	DOWNLOAD	4
INOUT	HDMI , PFC	5



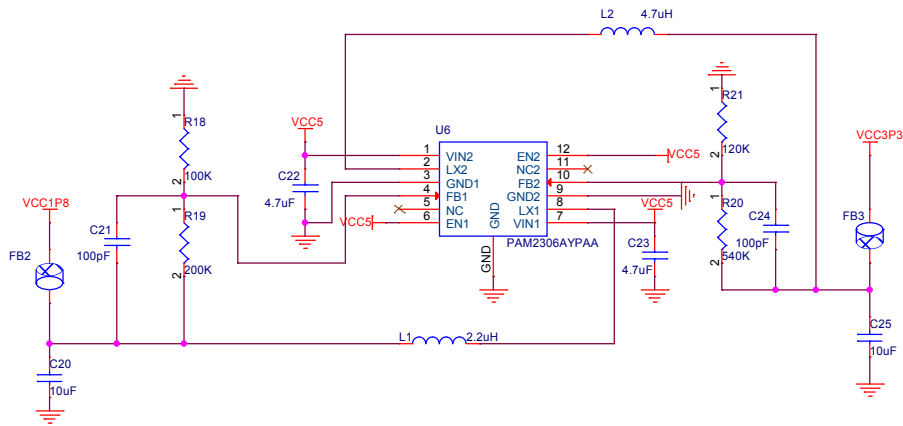
POWER INPUT



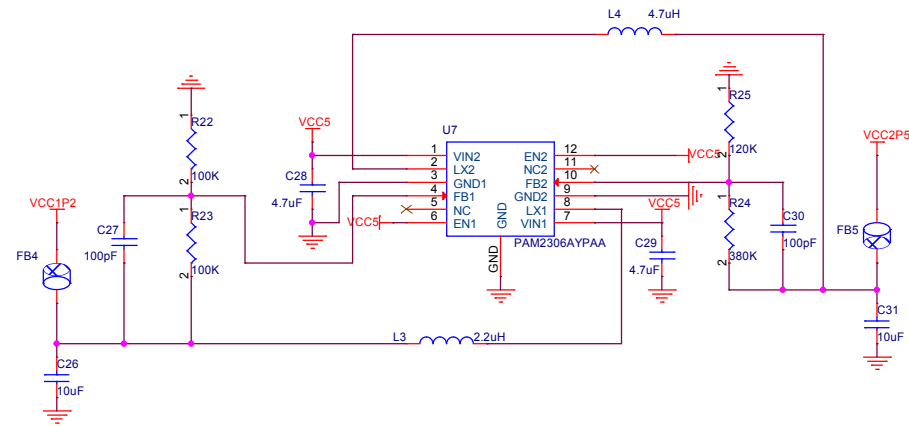
VCC5V 转 VCC2.8V



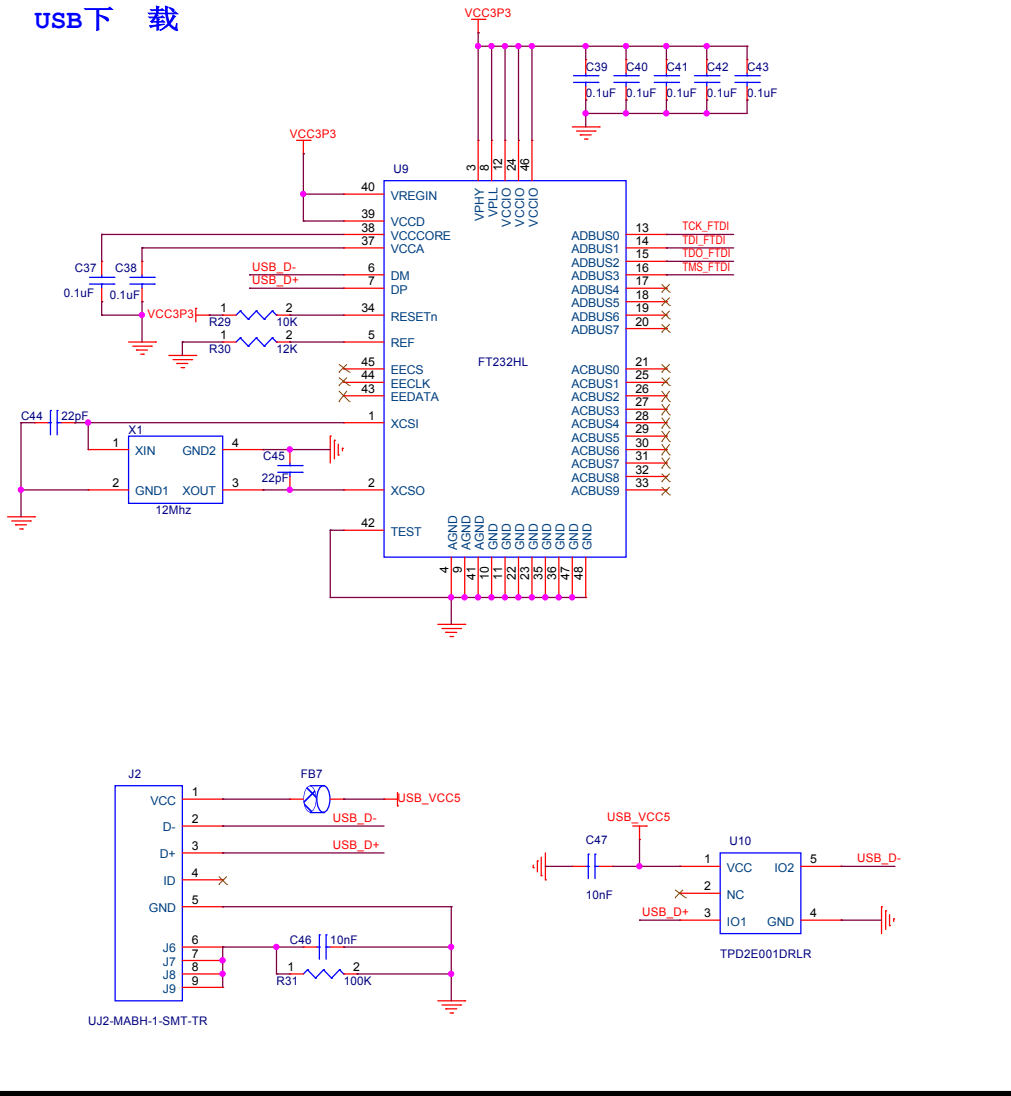
VCC5V 转 VCC3.3V 、 VCC1.8V



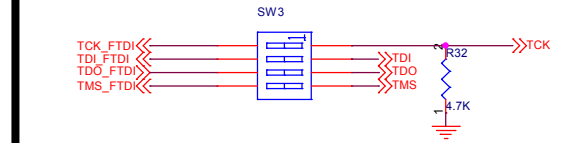
VCC5V 转 VCC2.5V 、 VCC1.2V



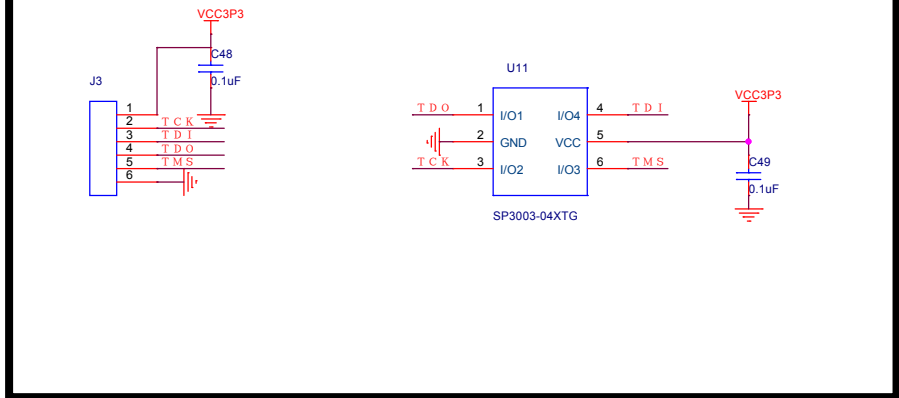
USB 下载



下载方式选择

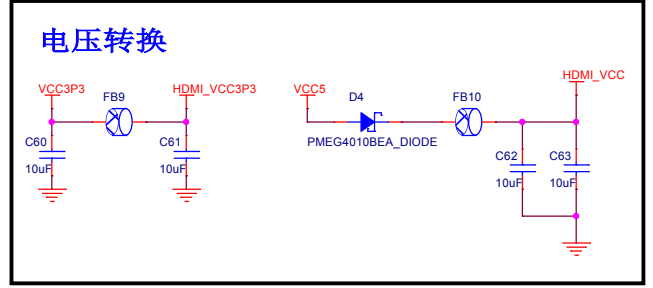
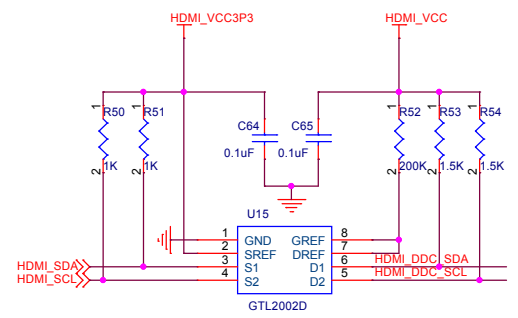
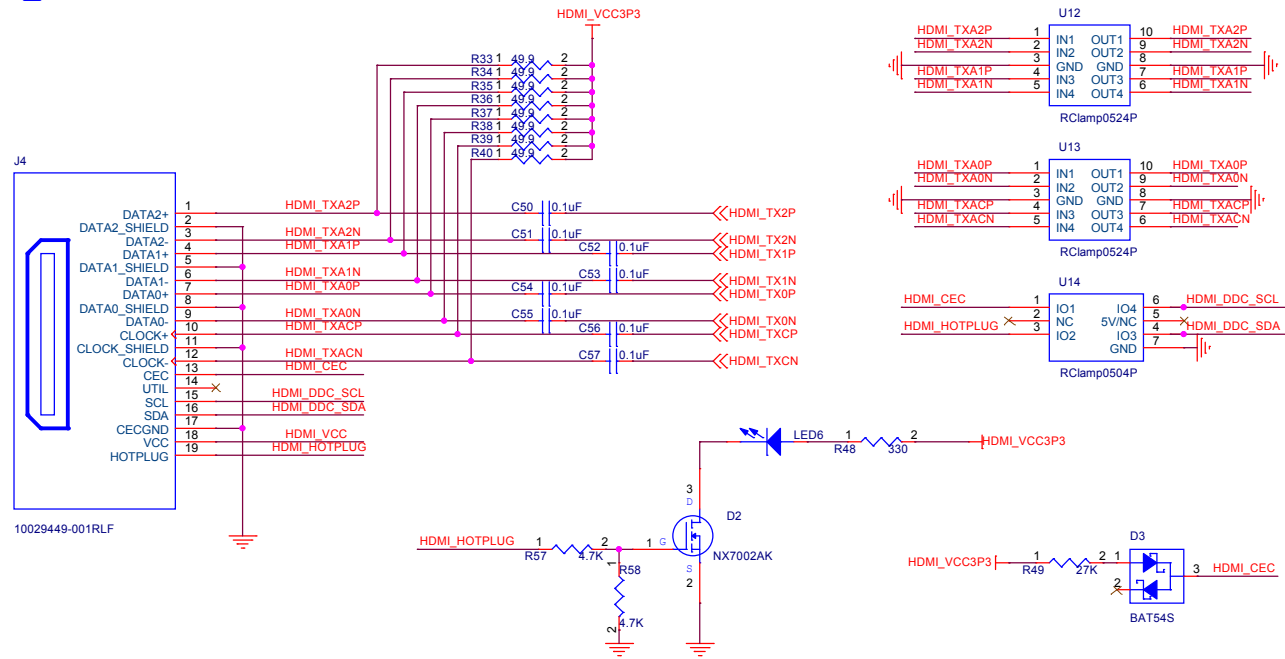


JTAG 下载



Title		
DK-GoAI-Embedded-GW1NSR-4C v1.1		
Size	Document Number	Rev
A3	<Doc>	<Rev Code>
Date:	Wednesday, September 02, 2020	Sheet 1 of 1

HDMI_TX



Camera

