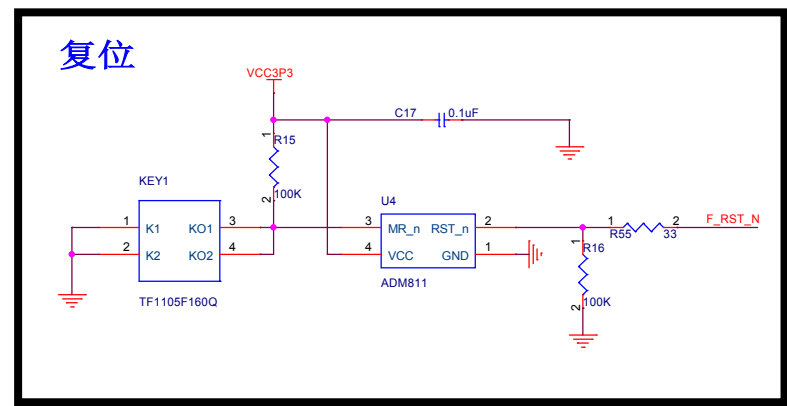
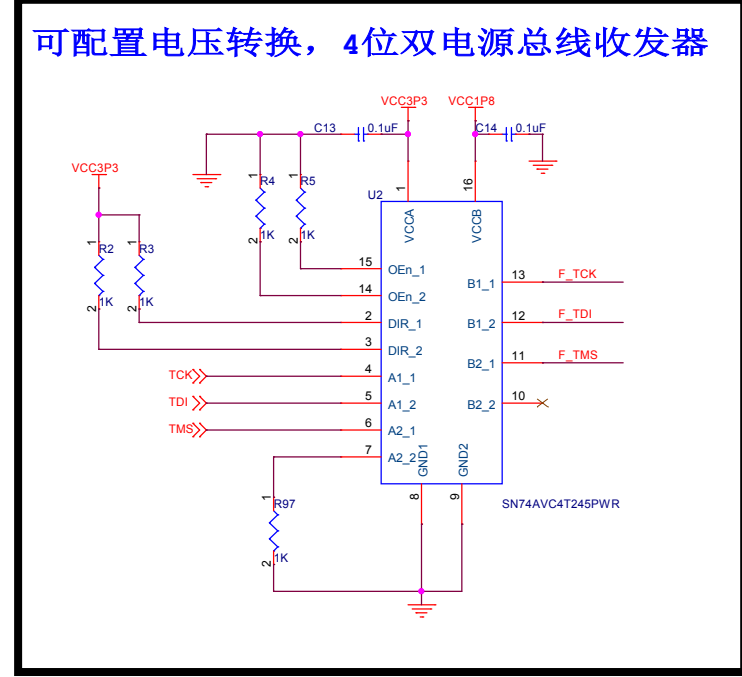
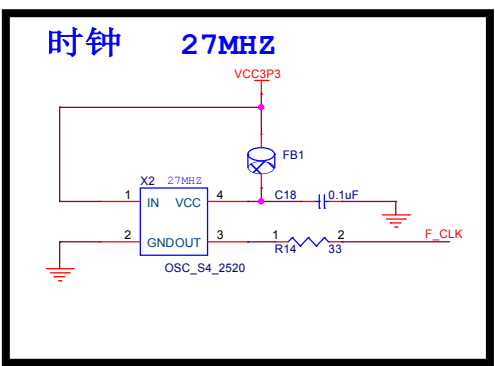
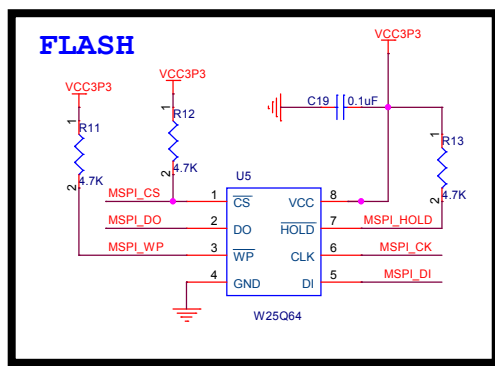


SCHEMATIC	CONTENT	PAGE
TOP	COVER PAGE	1
FPGA	FPGA	2
POWER	DC5V to 3.3V, 2.8V, 2.5V, 1.8V, 1.2V	3
DOWNLOAD	DOWNLOAD	4
INTERFACE	HDMI_TX, PFC, LED	5
INTERFACE	HDMI_RX	6

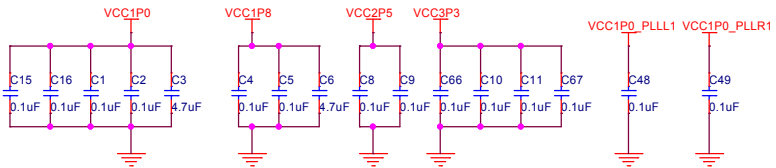
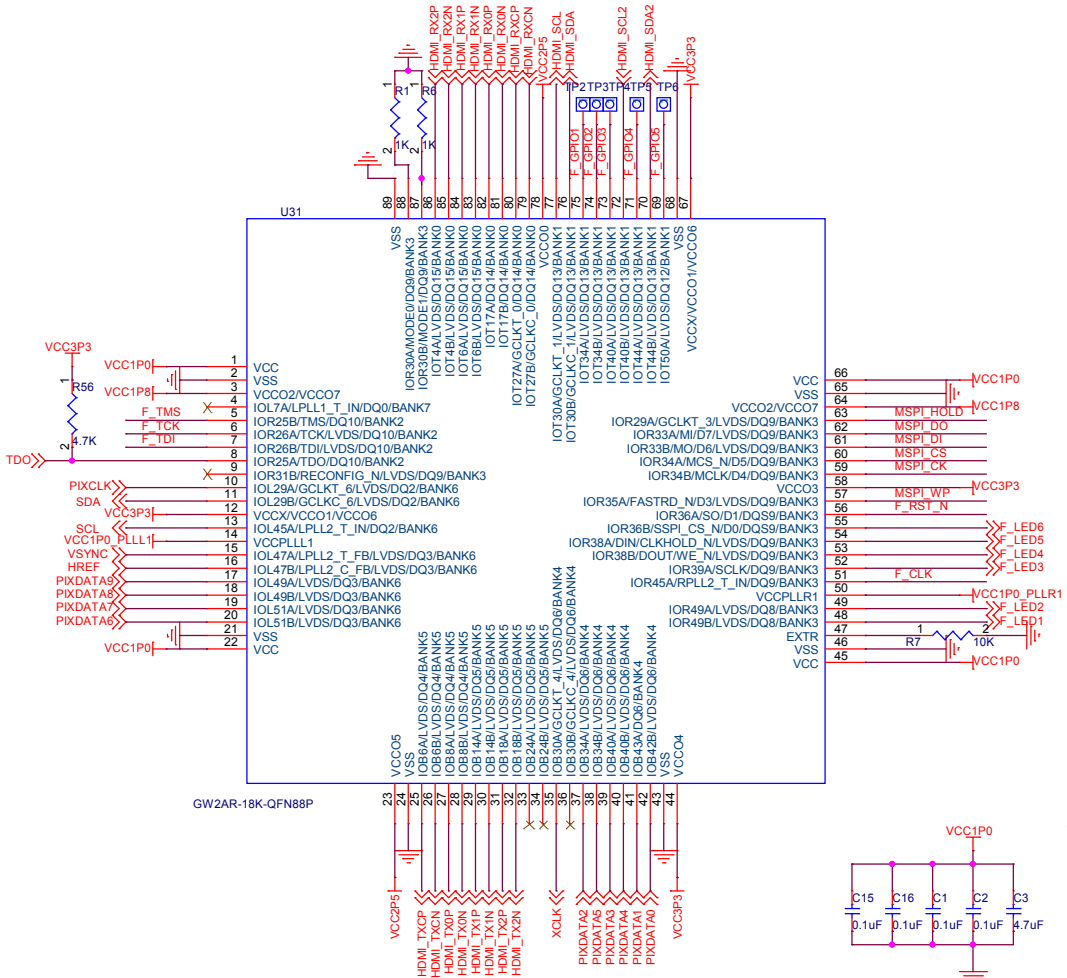


D

C

B

A



D

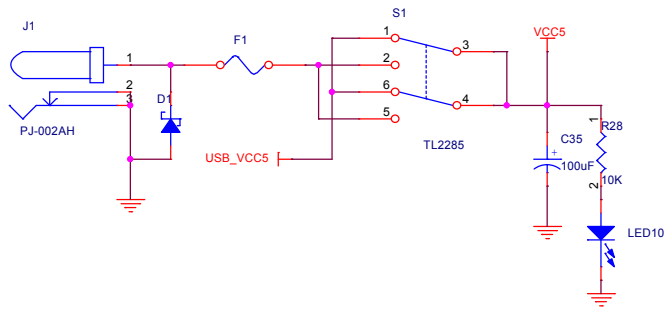
C

B

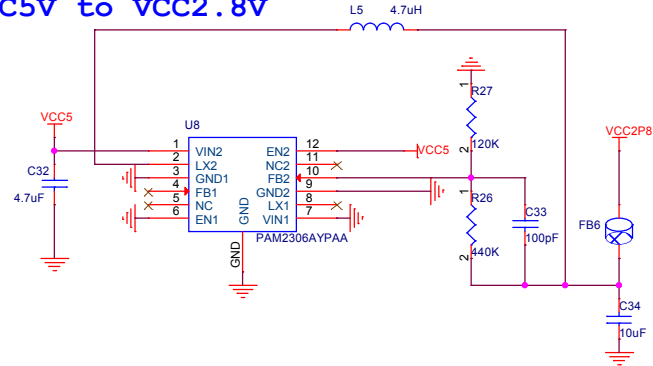
A

Title			
DK-GoAI-Embedded-GW2AR18-QN88P			
Size	Document Number	Rev	
A3	<Doc>	<Rev>	
Date:	Wednesday, September 02, 2020	Sheet	1 of 1

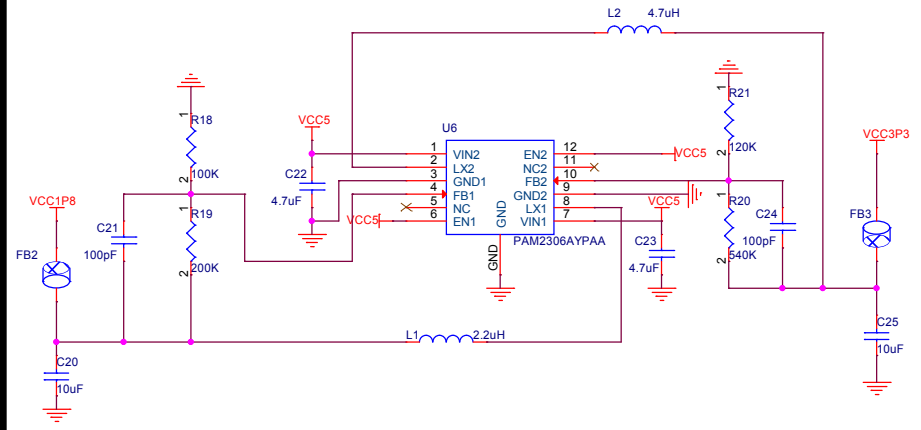
POWER INPUT



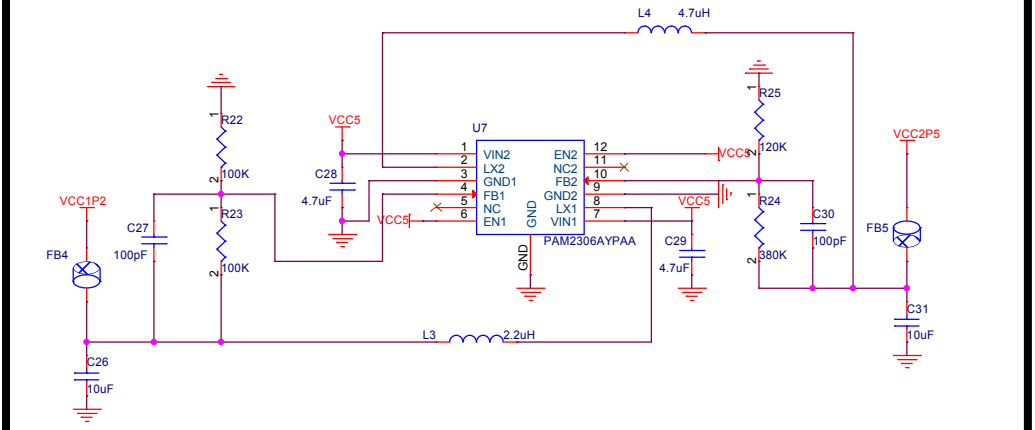
VCC5V to VCC2.8V



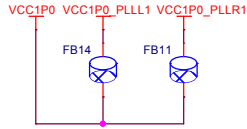
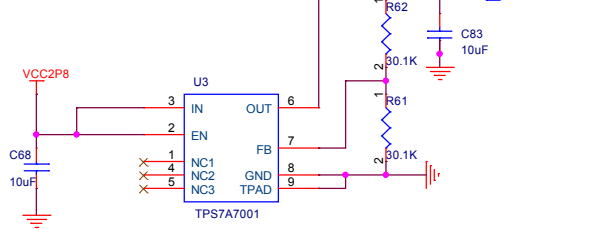
VCC5V to VCC3.3V ,VCC1.8V



VCC5V to VCC2.5V ,VCC1.2V

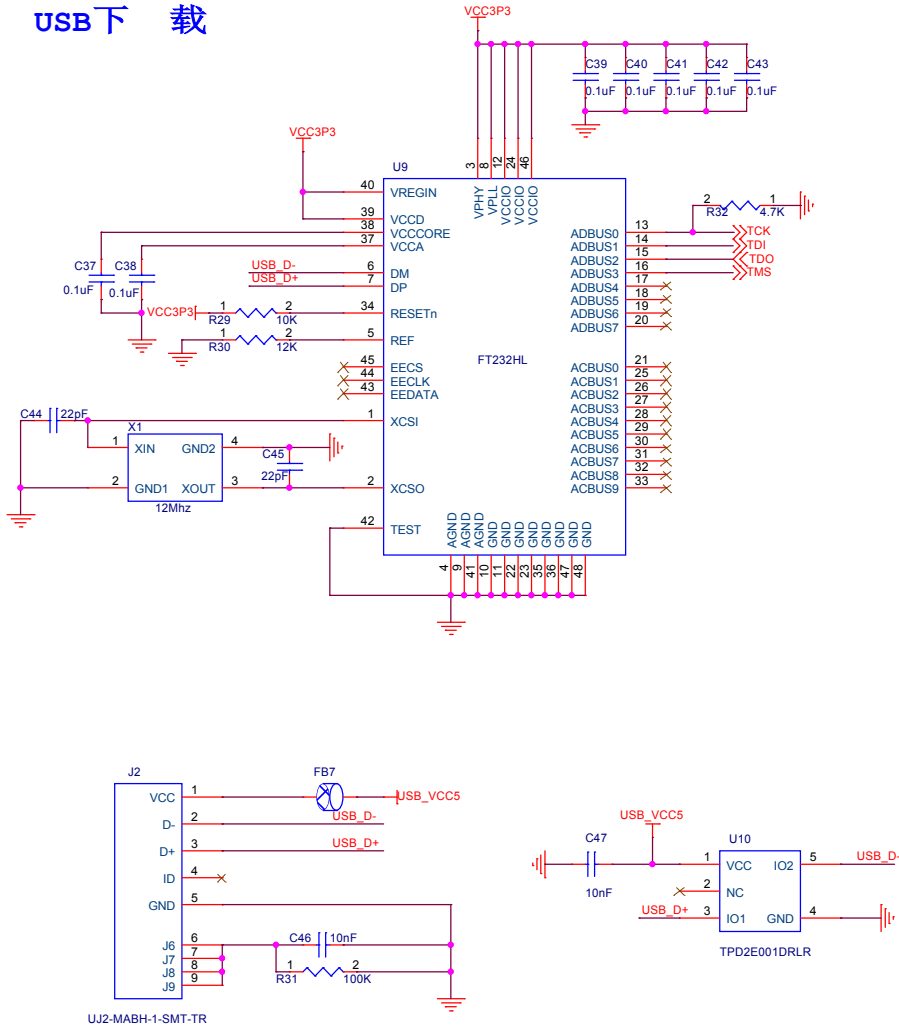


VCC2P8 to VCC1P0



Title		
DK-GoAI-Embedded-GW2AR18-QN88P		
Size	Document Number	Rev
A3	<Doc>	<RevCod
Date:	Wednesday, September 02, 2020	Sheet 1 of 1

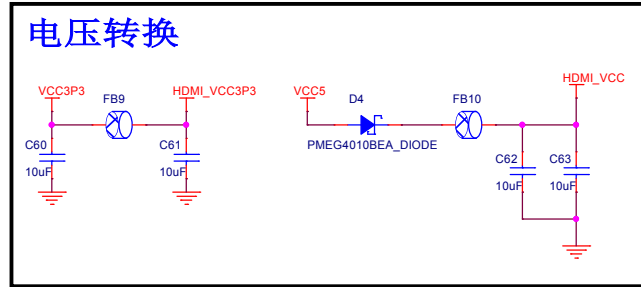
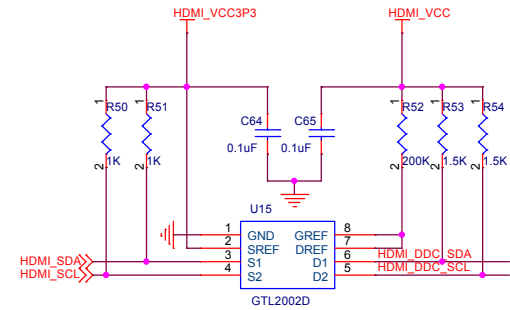
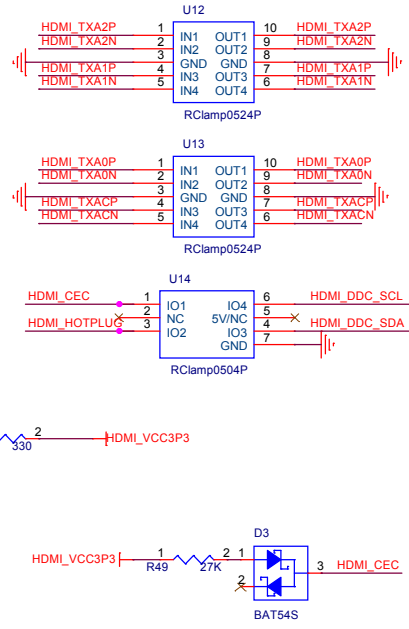
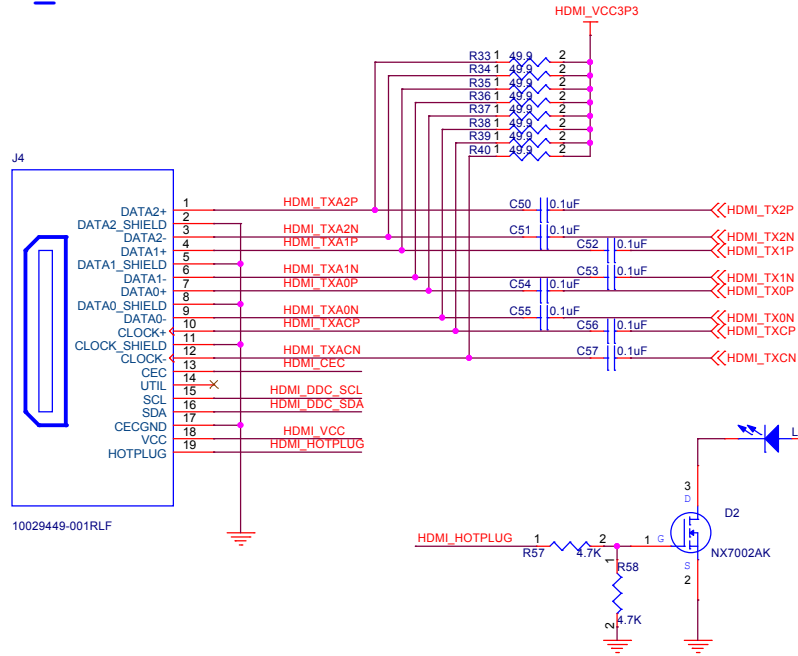
USB 下载



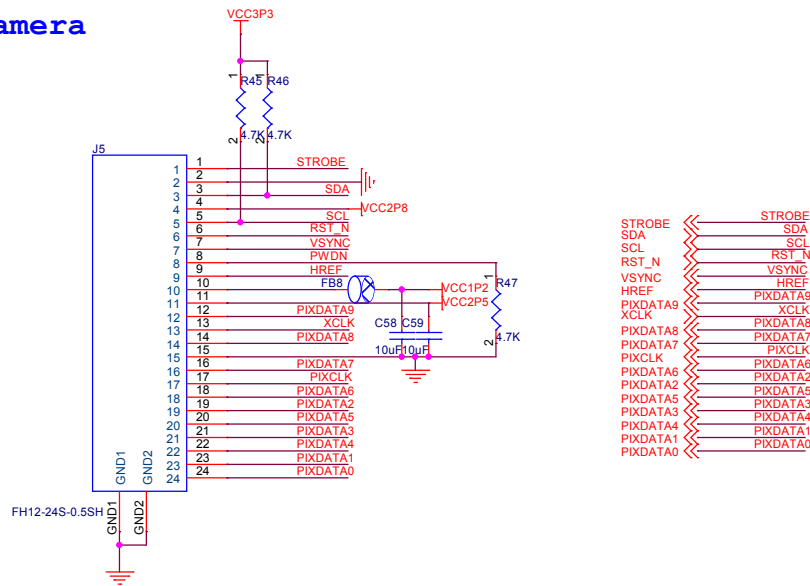
UJ2-MABH-1-SMT-TR

Title		DK-GoAI-Embedded-GW2AR18-QN88P	
Size	A3	Document Number	<Doc>
Date:	Wednesday, September 02, 2020	Sheet	1 of 1

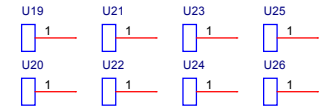
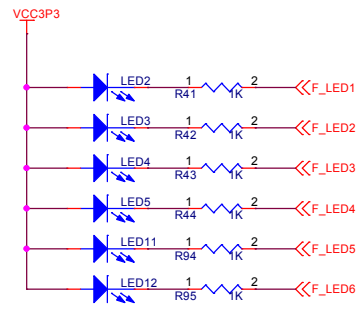
HDMI_TX



Camera



LED



HDMI_RX

