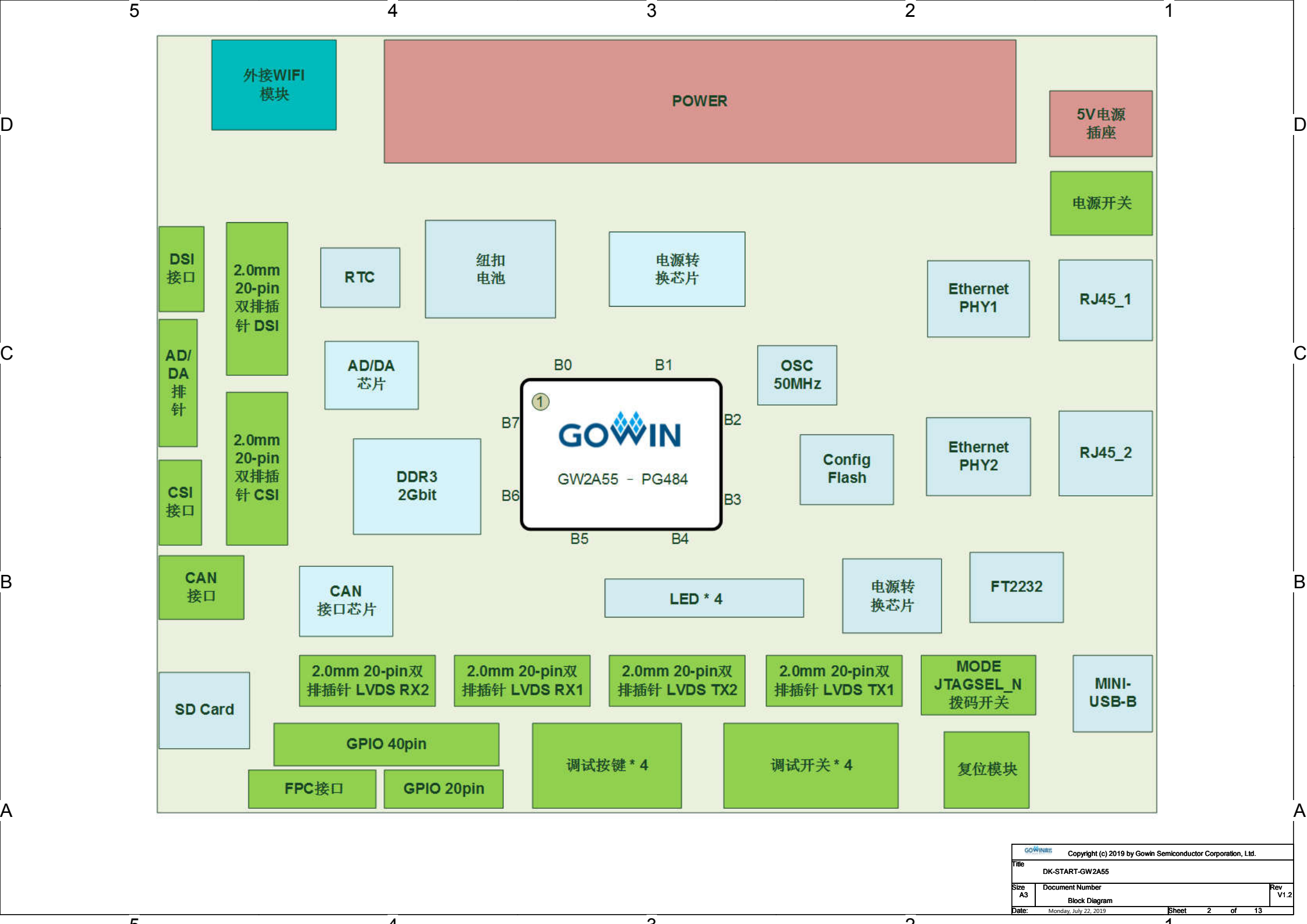
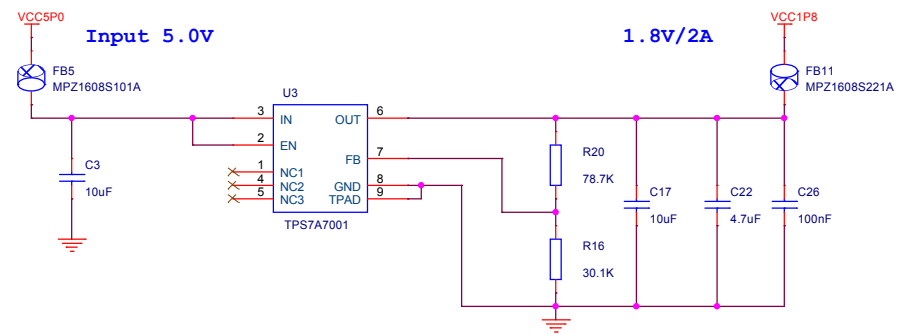
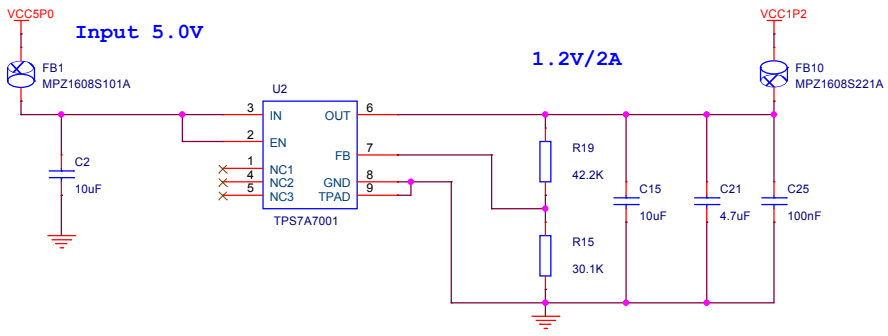
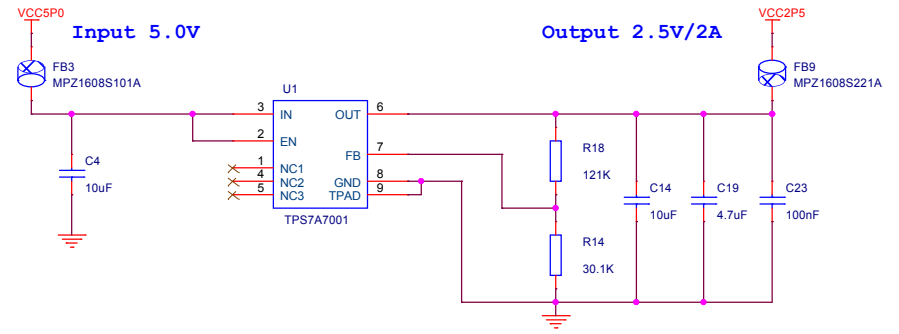
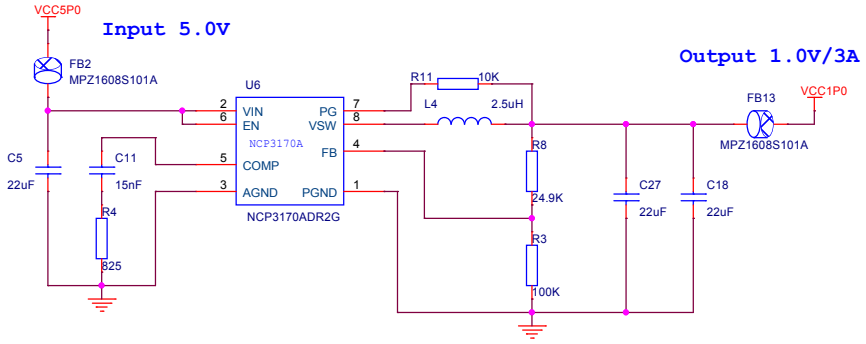
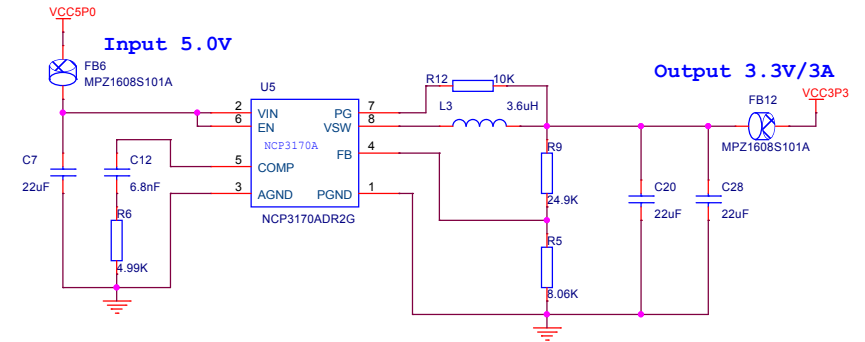
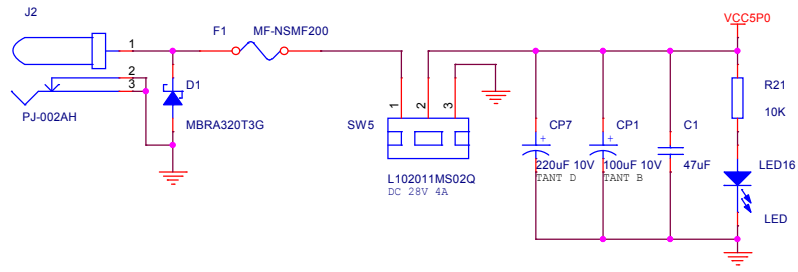
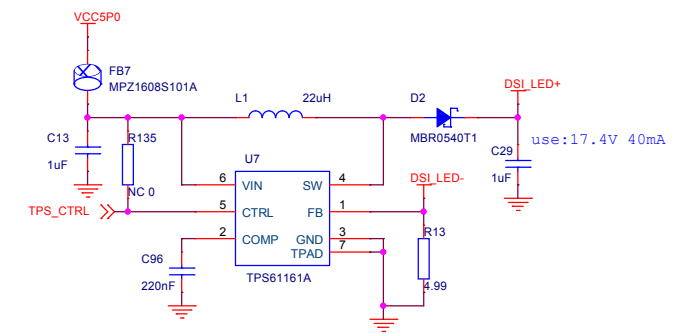
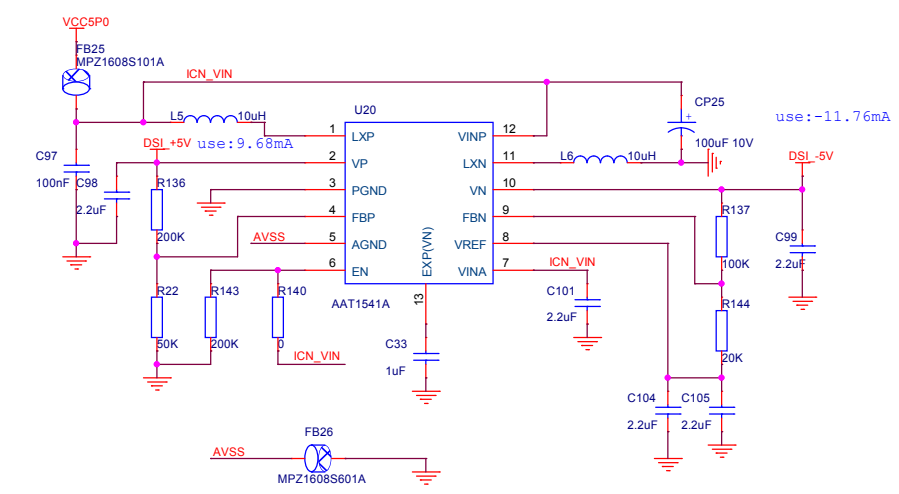
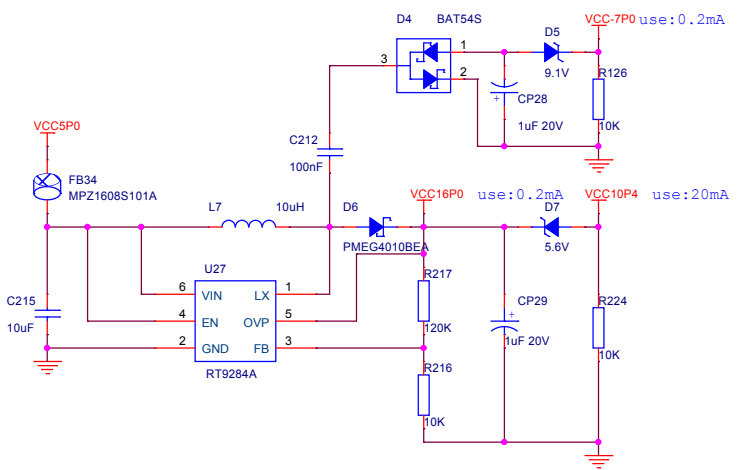
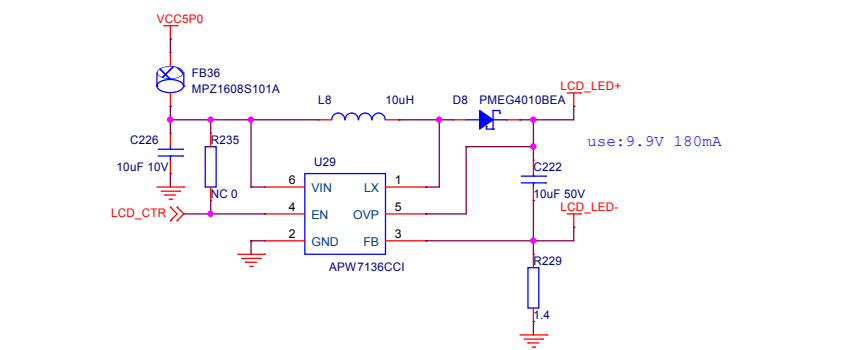
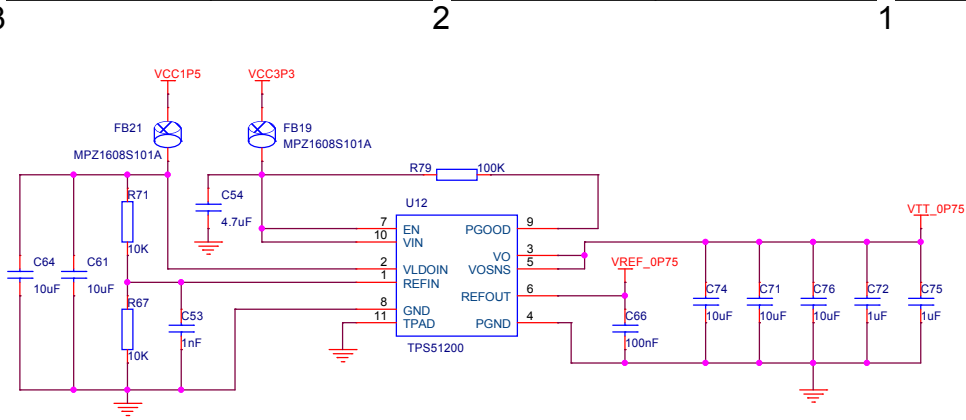
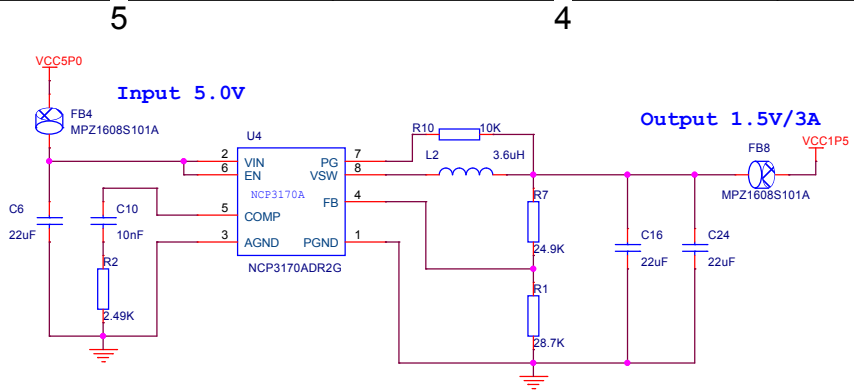
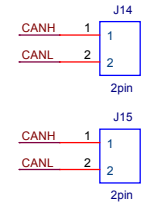
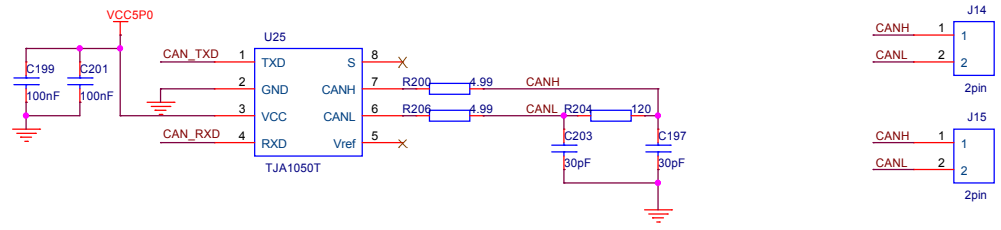
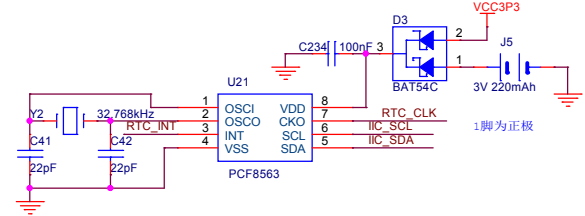
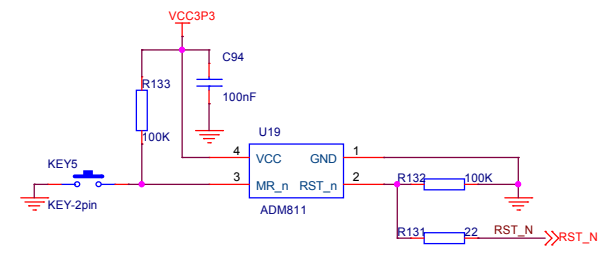
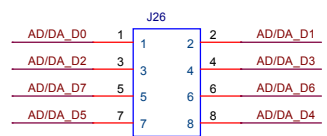
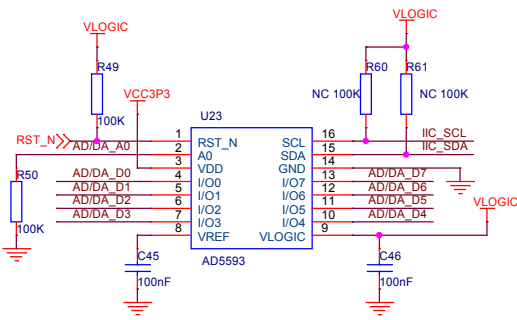
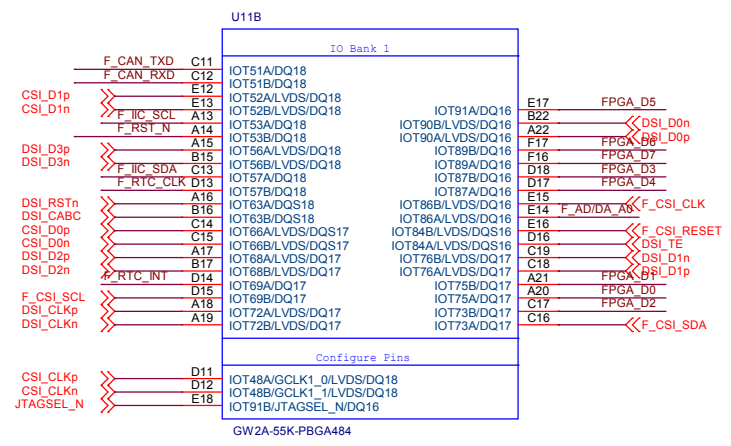
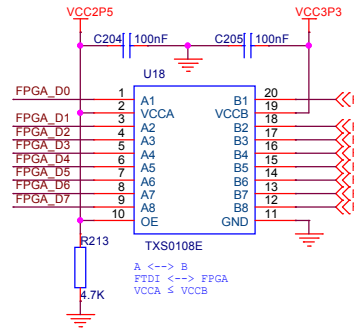
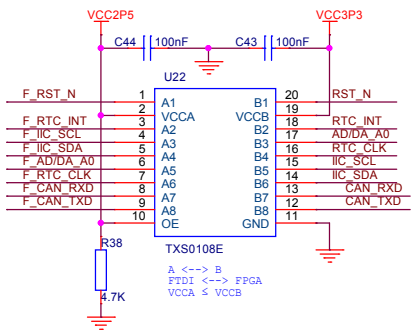


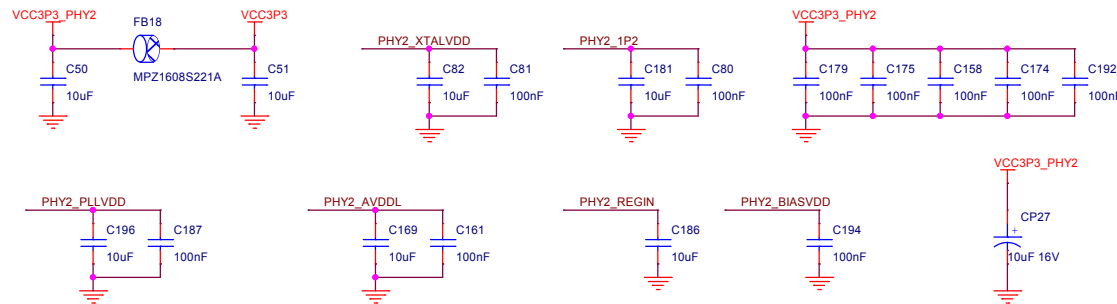
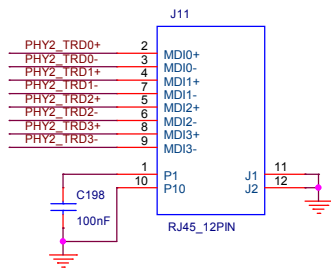
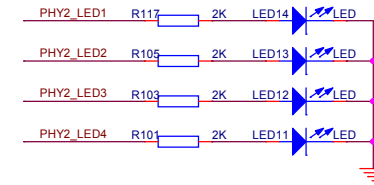
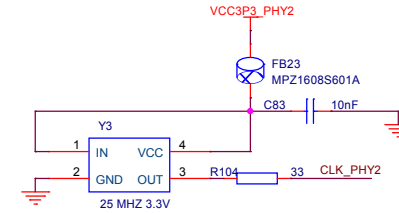
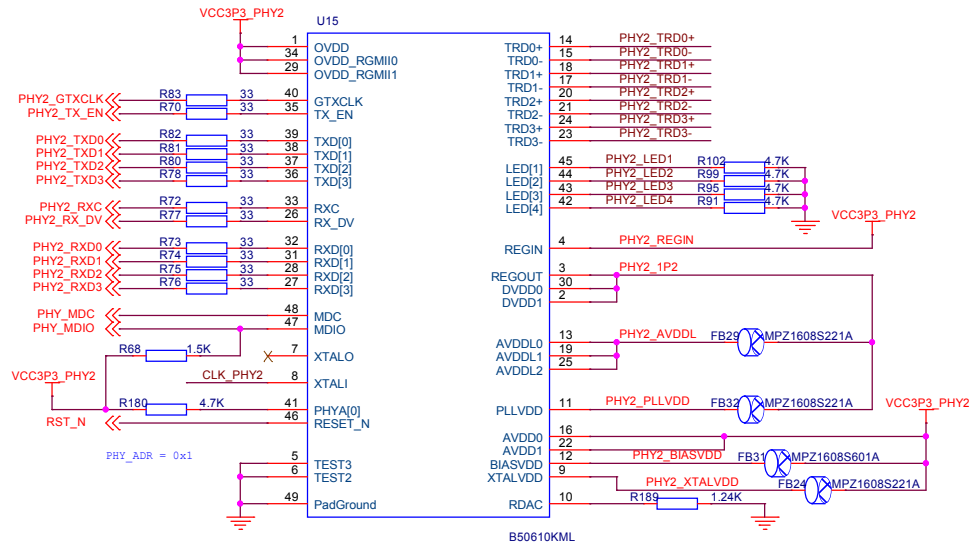
SCHMATIC	CONTENT	PAGE
TOP	COVER PAGE,Block Diagram	1-2
Power1	Power1	3
Power2	Power2	4
Bank Power	Bank Power	5
B0_MIPI-LP_WIFI	MIPI,WIFI	6
	B1_MIPI-HS_RTC_AD-DA_RST_CAN	7
	B2_ETHERNET1_CLK	8
	ETHERNET2	9
	B3_DDR3_LED_FLASH_DONE_KEY_S	10
	B4_LVDS	11
	B5_GPIO_SD	12
	B6_B7_DDR3	13
	JTAG	14

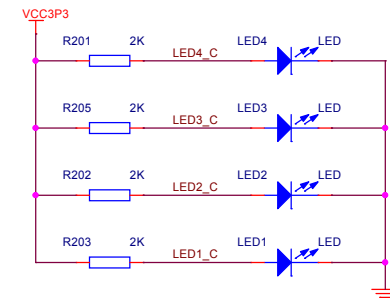
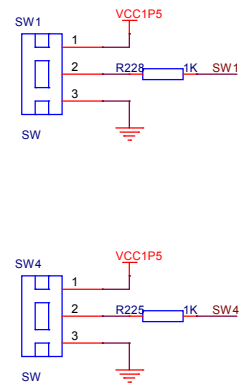
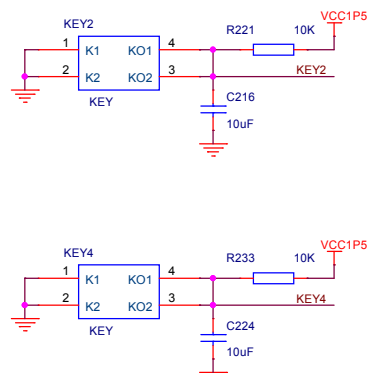
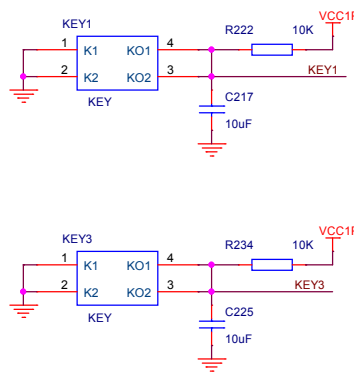
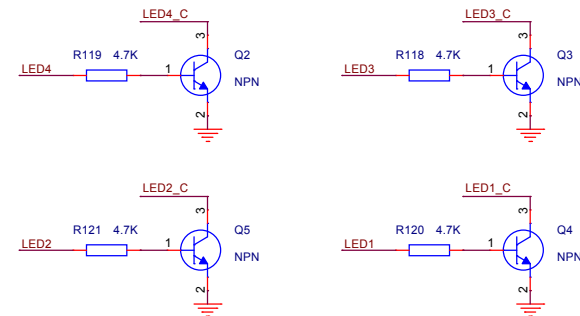
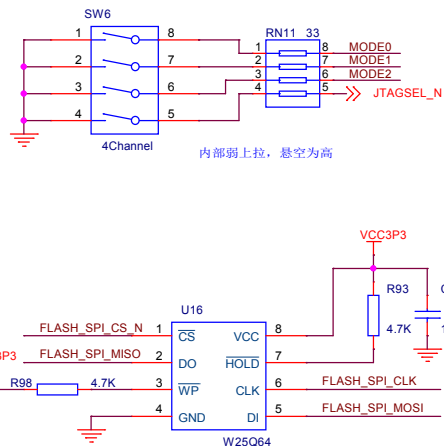
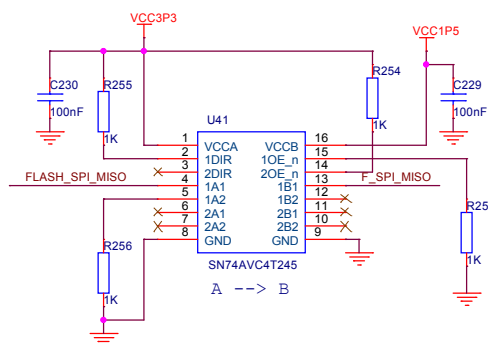
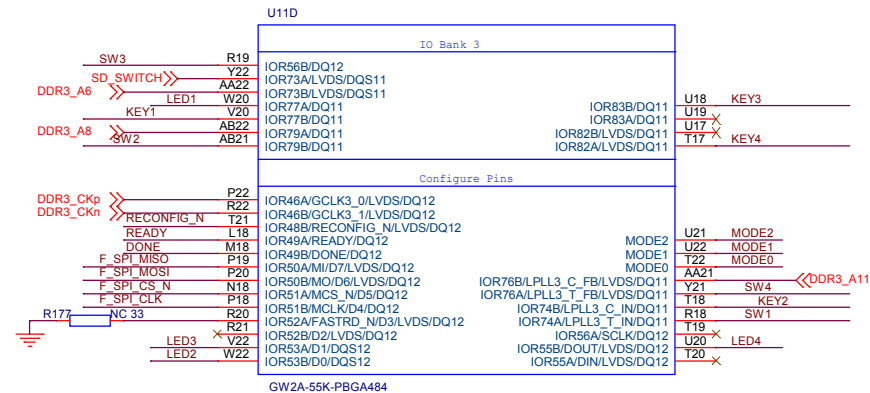
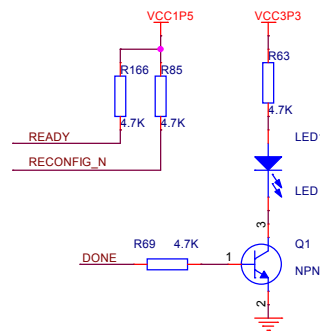
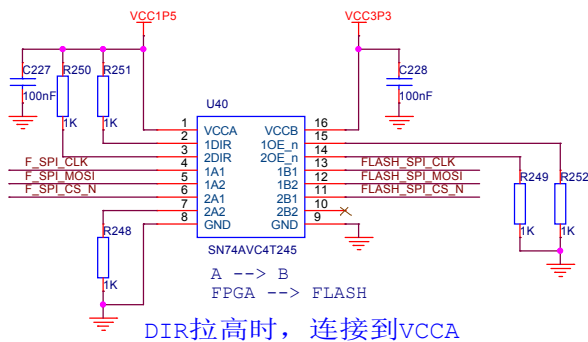


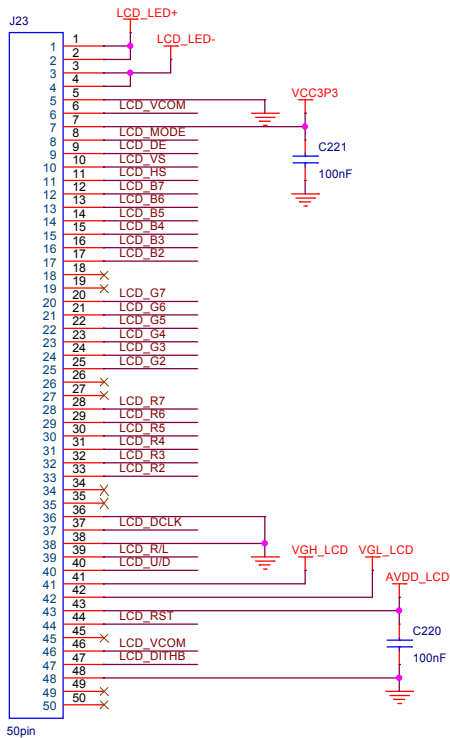




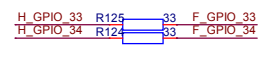
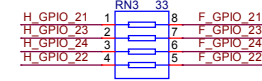
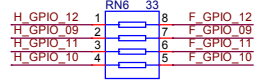
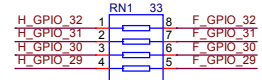
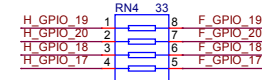
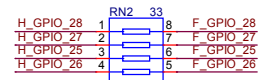
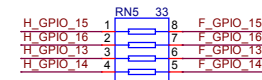
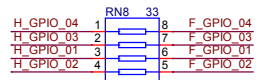
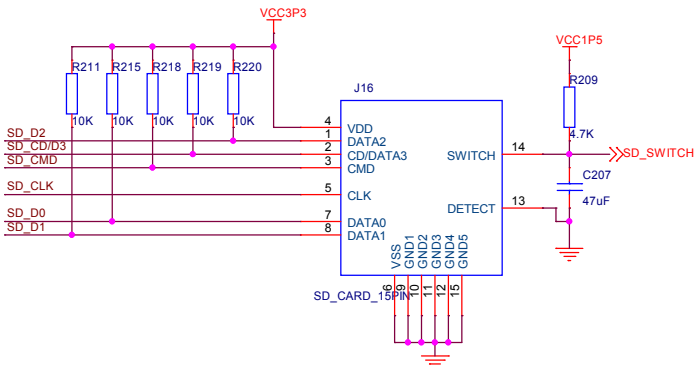
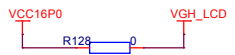
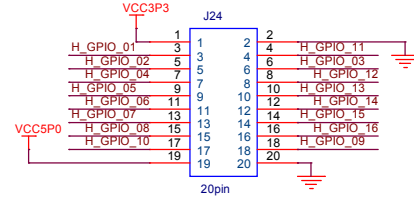
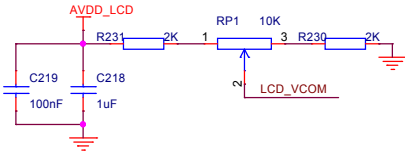
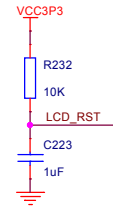
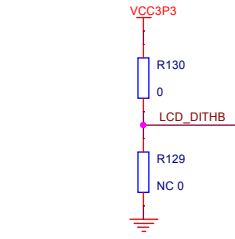
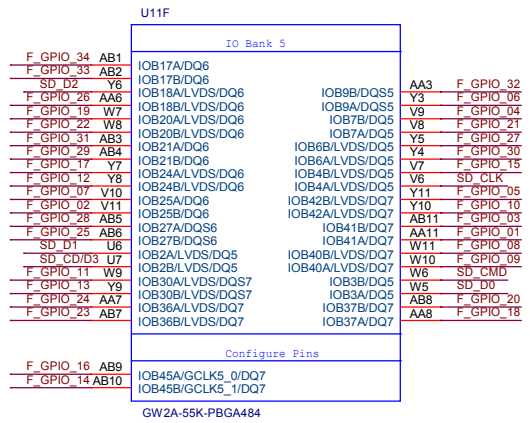
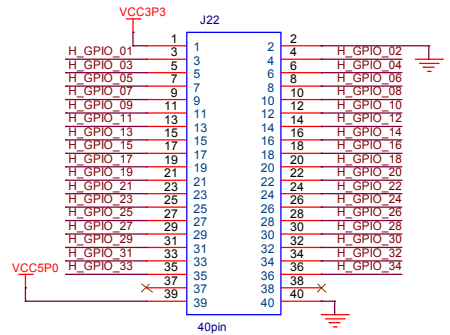


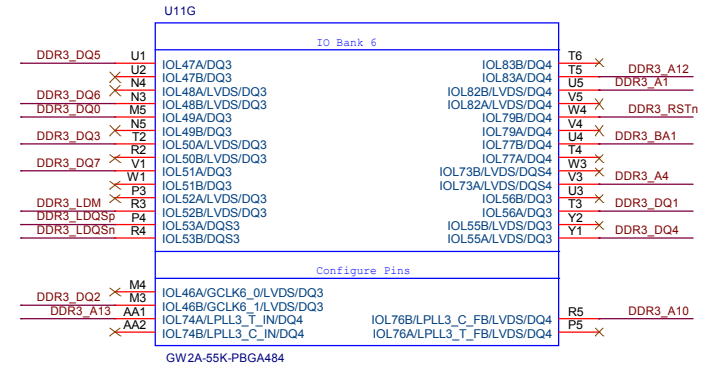
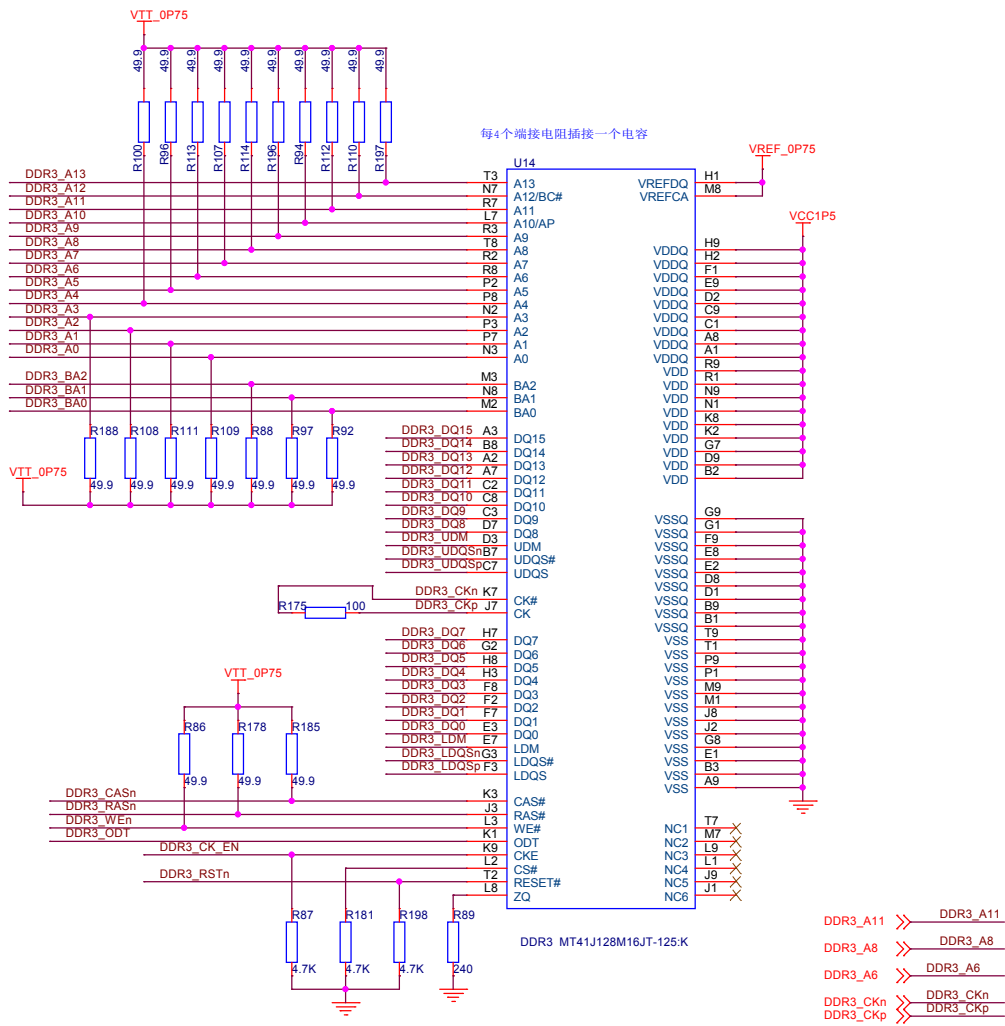






LCD_MODE	H_GPIO_09
LCD_DE	H_GPIO_12
LCD_VS	H_GPIO_11
LCD_HS	H_GPIO_14
LCD_B7	H_GPIO_13
LCD_B6	H_GPIO_15
LCD_B4	H_GPIO_18
LCD_B3	H_GPIO_17
LCD_B2	H_GPIO_22
LCD_G7	H_GPIO_21
LCD_G6	H_GPIO_20
LCD_G5	H_GPIO_19
LCD_G4	H_GPIO_24
LCD_G3	H_GPIO_23
LCD_G2	H_GPIO_26
LCD_R7	H_GPIO_25
LCD_R6	H_GPIO_28
LCD_R5	H_GPIO_27
LCD_R4	H_GPIO_30
LCD_R3	H_GPIO_29
LCD_R2	H_GPIO_34
LCD_DCLK	H_GPIO_33
LCD_R/L	H_GPIO_32
LCD_U/D	H_GPIO_31





DQ[7:0], LDQSn, LDQSp和LDM分配在Bank6的DQ3
 DQ15:8), UDQSn, UDQSp和UDM分配在Bank7的DQ2

