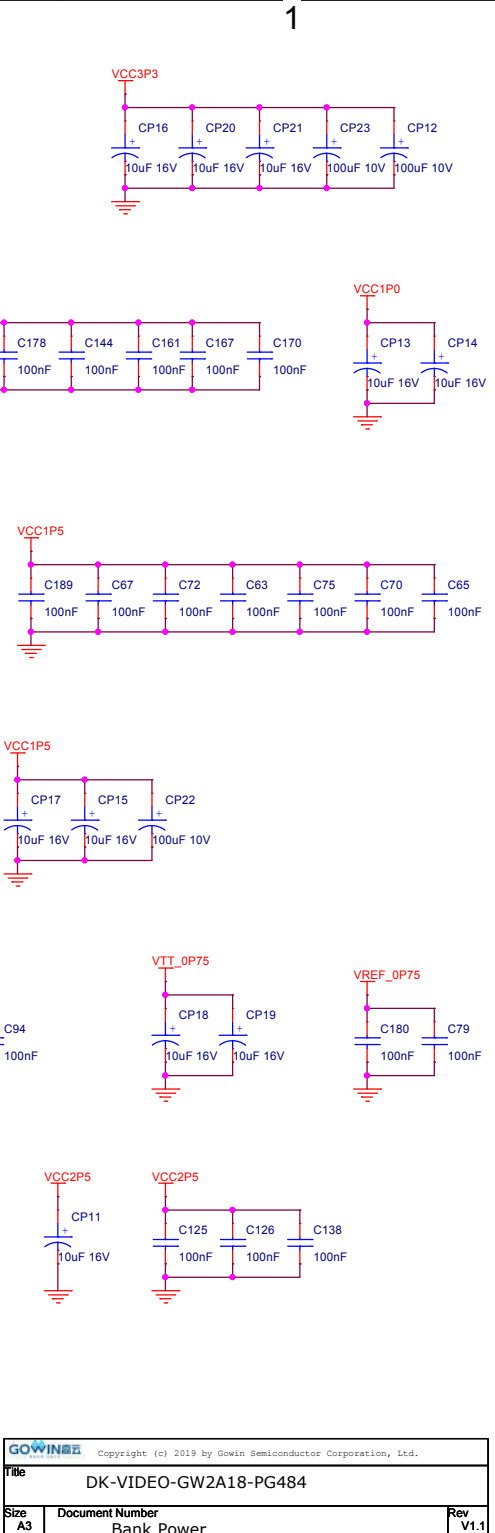
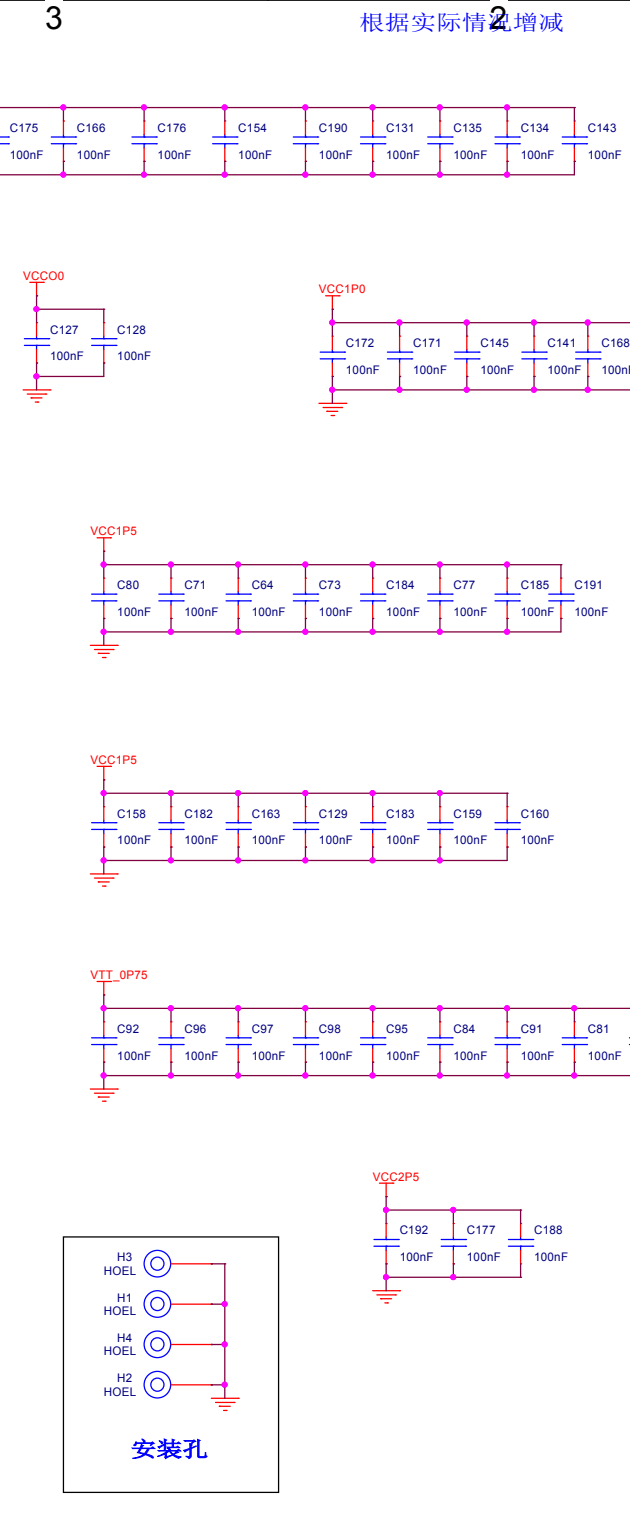
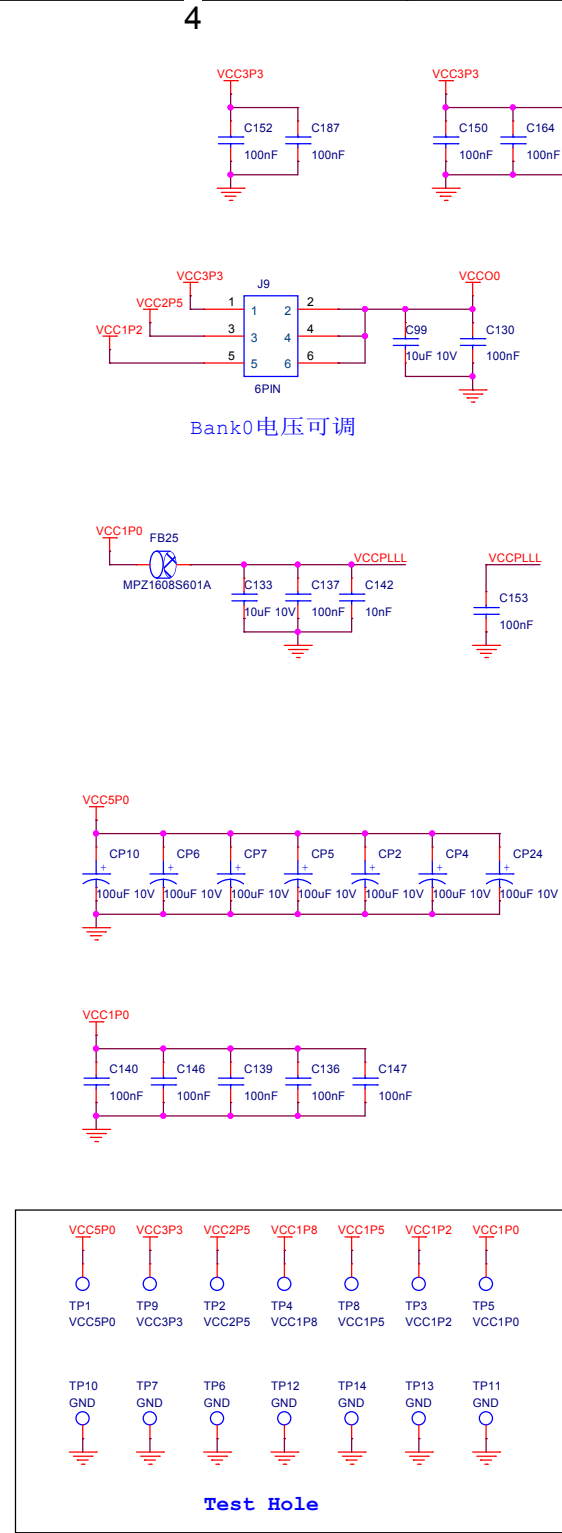
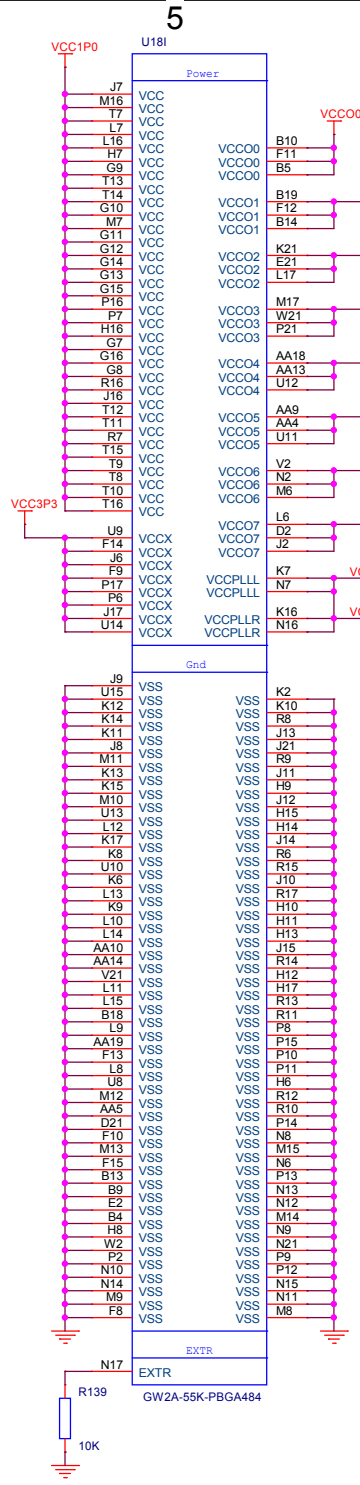
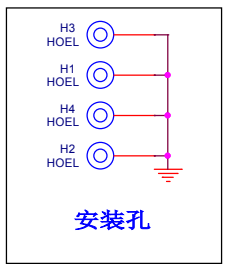


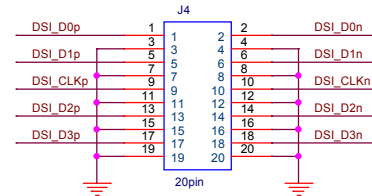
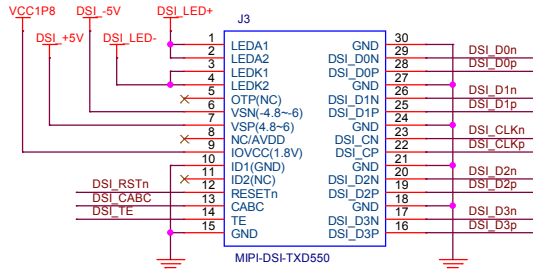
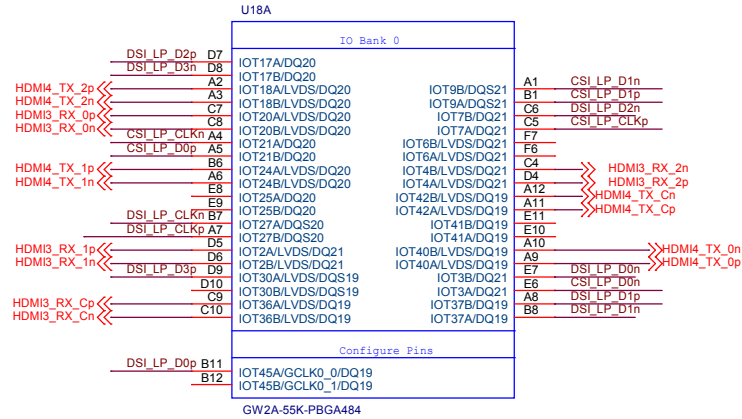
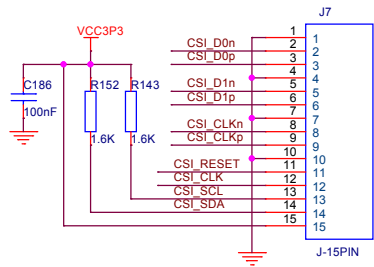
GOWINSE Copyright (c) 2019 by Gowin Semiconductor Corporation, Ltd.		
File DK-VIDEO-GW2A18-PG484		
Size A3	Document Number Power2	Rev V1.1
Date: Tuesday, September 03, 2019	Sheet 3	of 14



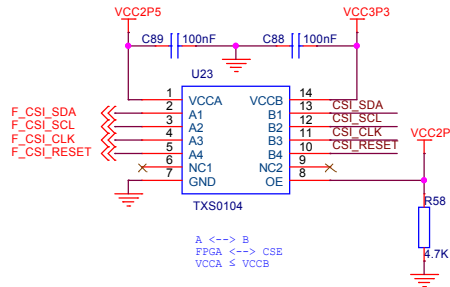
根据实际情况增减



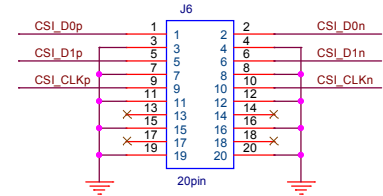
GOWIN  Gowin Semiconductor Corporation, Ltd.		
Title: DK-VIDEO-GW2A18-PG484		
Size: A3	Document Number: Bank Power	Rev: V1.1
Date: Sunday, November 03, 2019	Sheet: 4	of 14



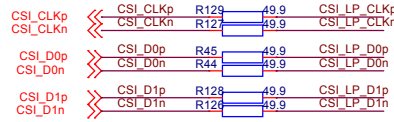
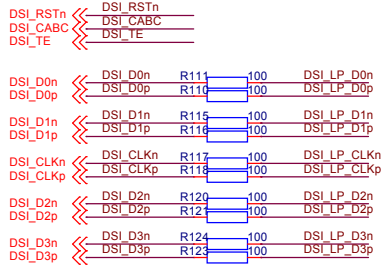
2mm间距, 无框插针, MIPI DSI



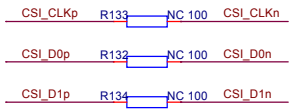
端接电阻靠近FPGA

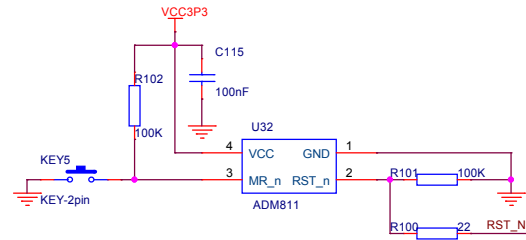
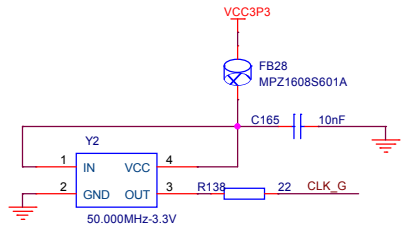
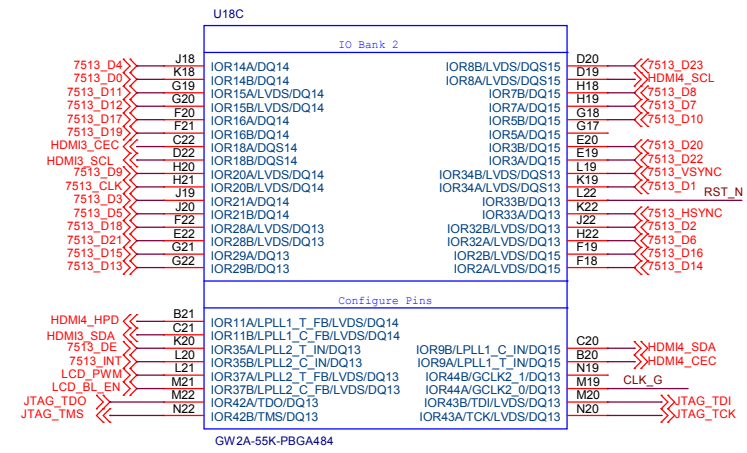
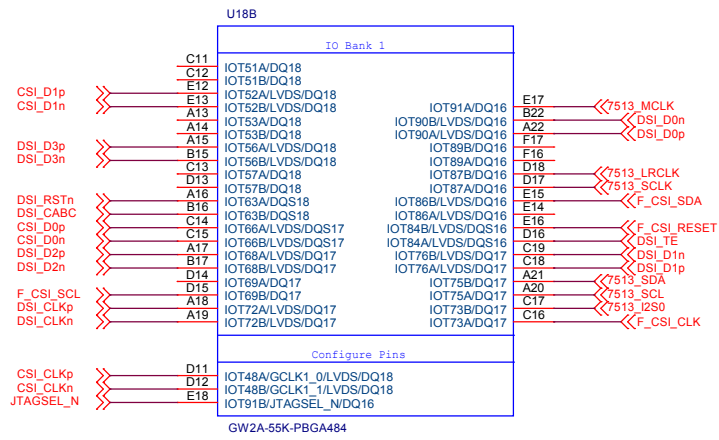


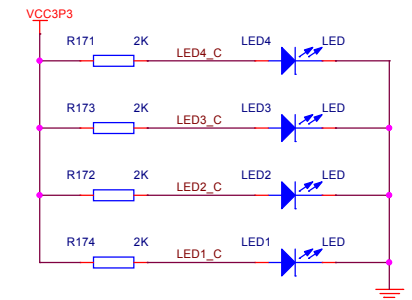
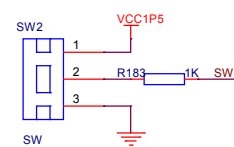
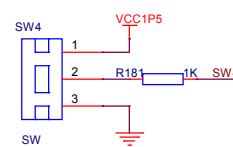
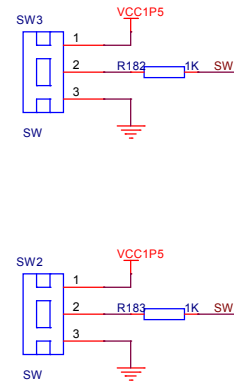
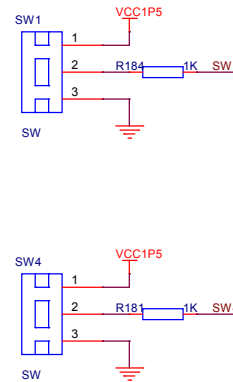
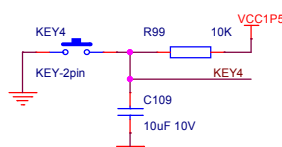
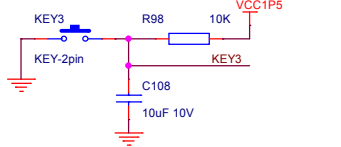
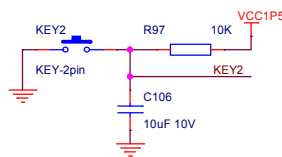
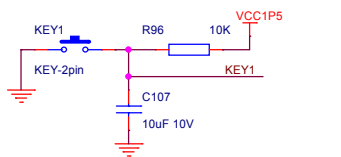
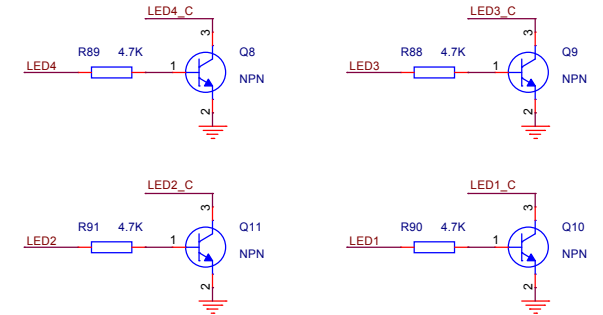
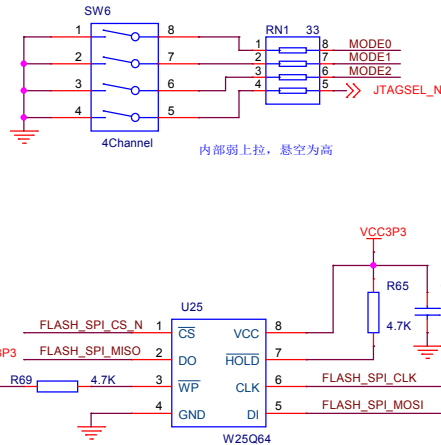
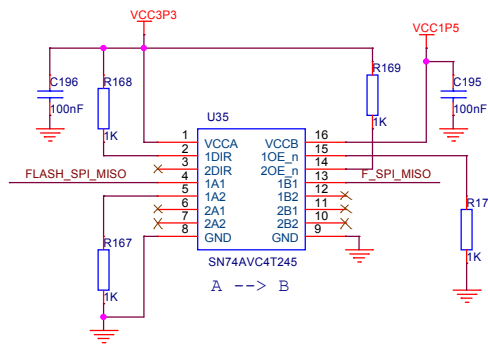
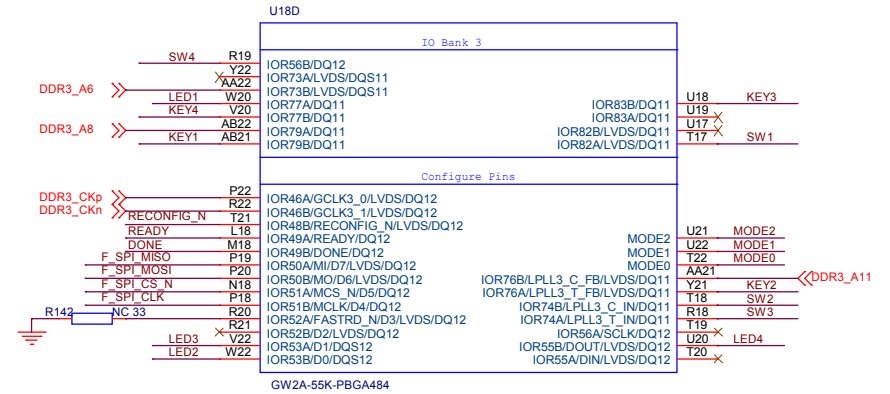
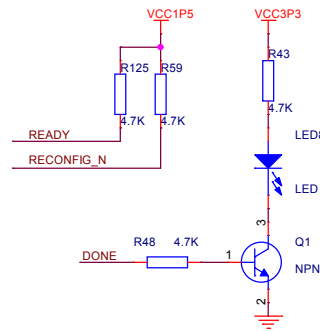
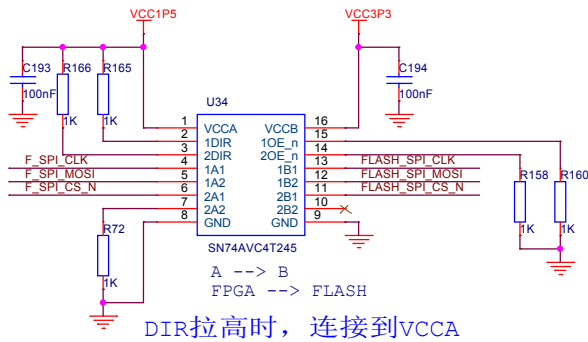
2mm间距, 无框插针, MIPI CSI

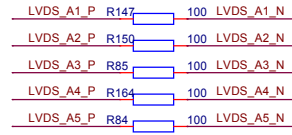
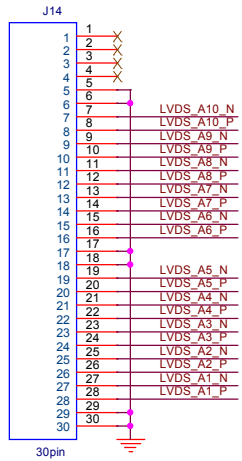


端接电阻靠近FPGA

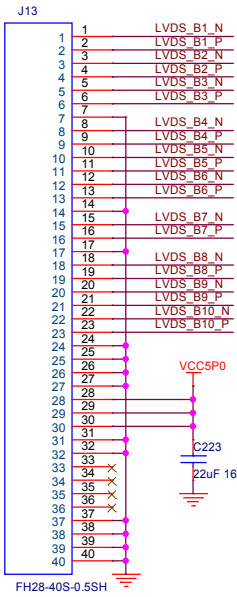
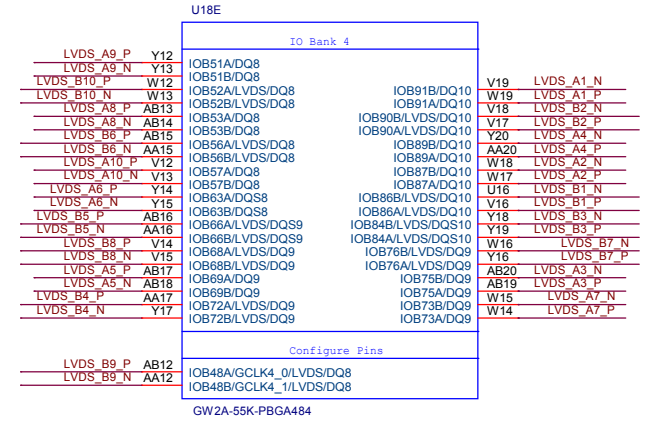
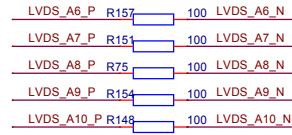




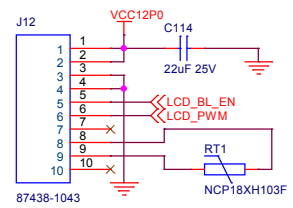




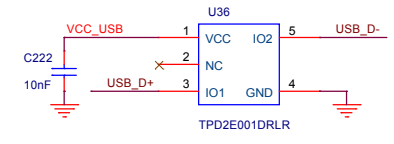
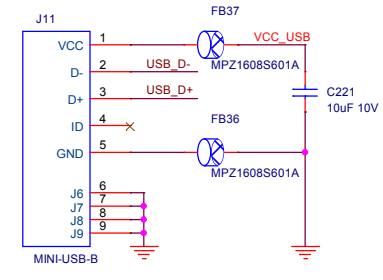
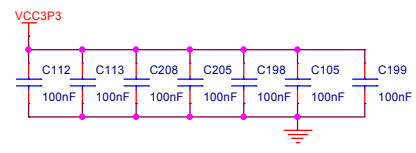
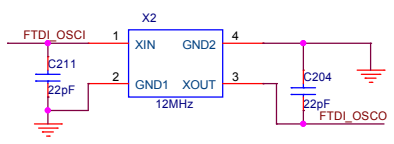
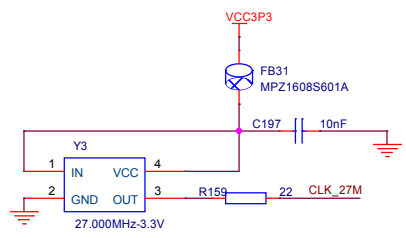
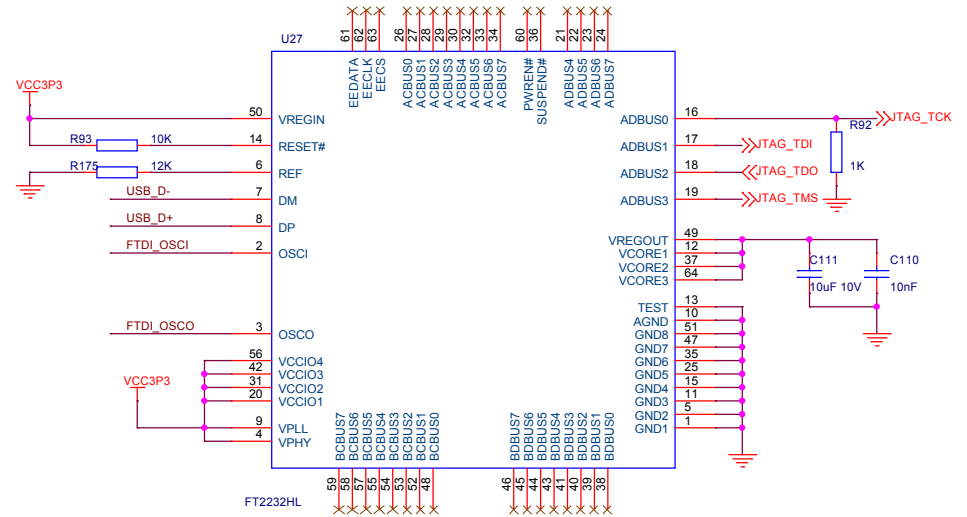
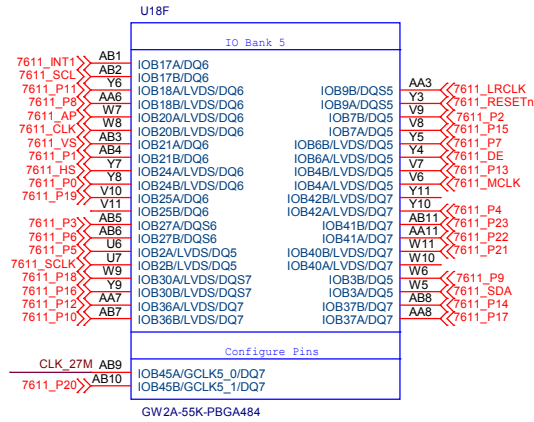
LVDS RX

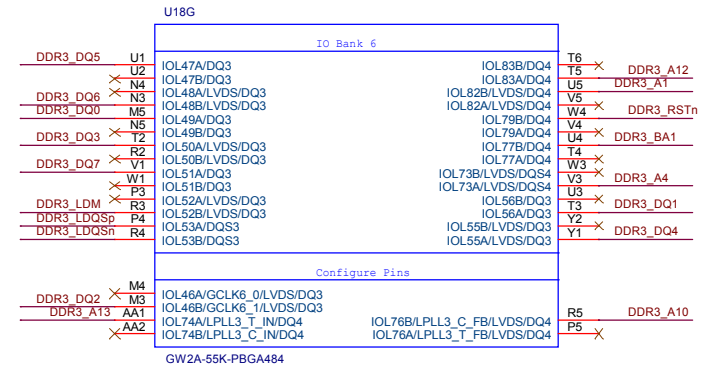
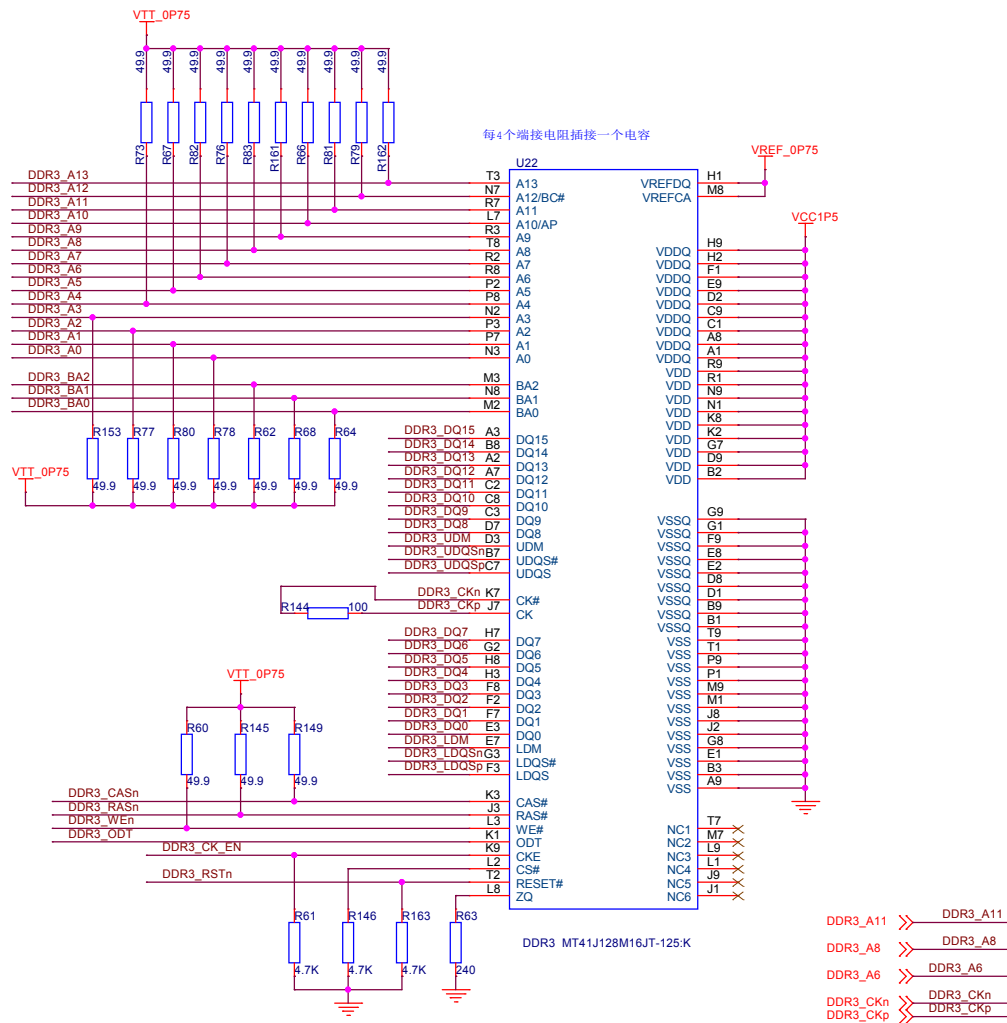


LVDS TX

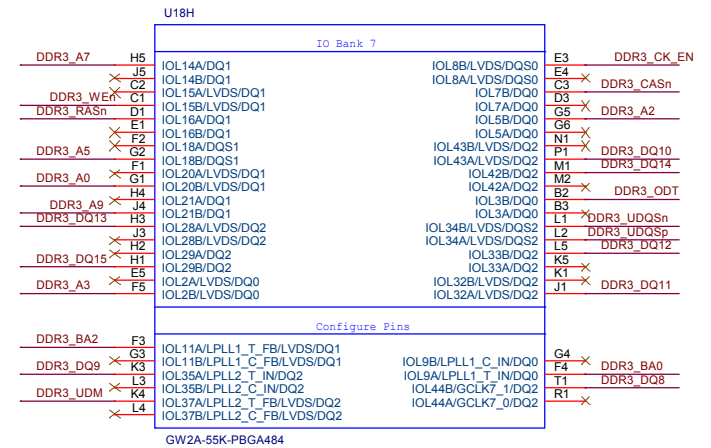


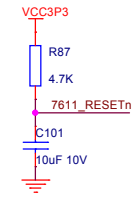
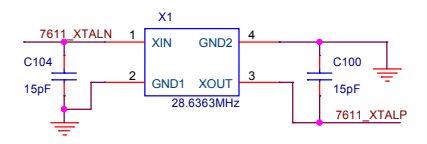
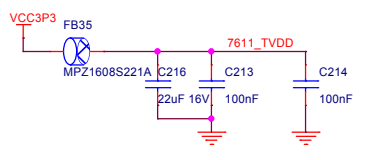
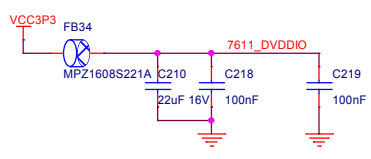
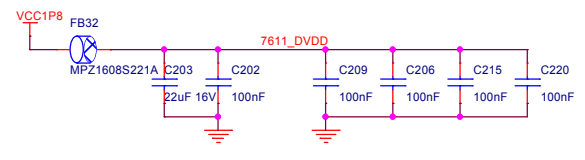
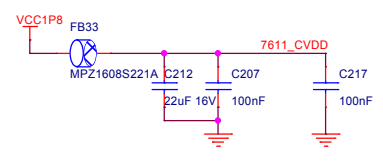
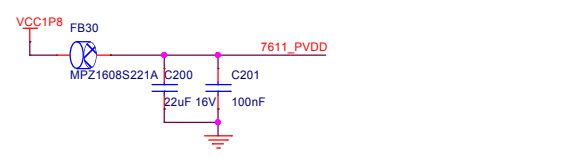
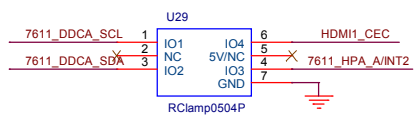
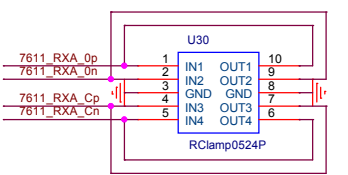
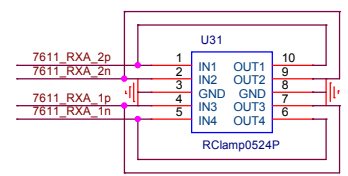
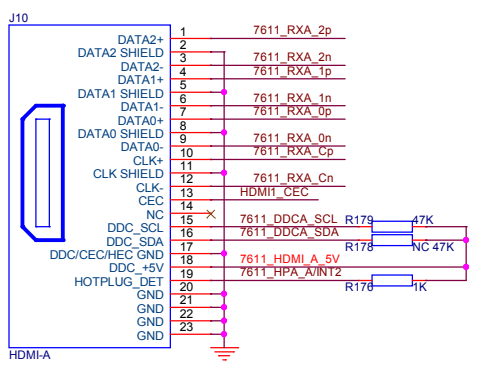
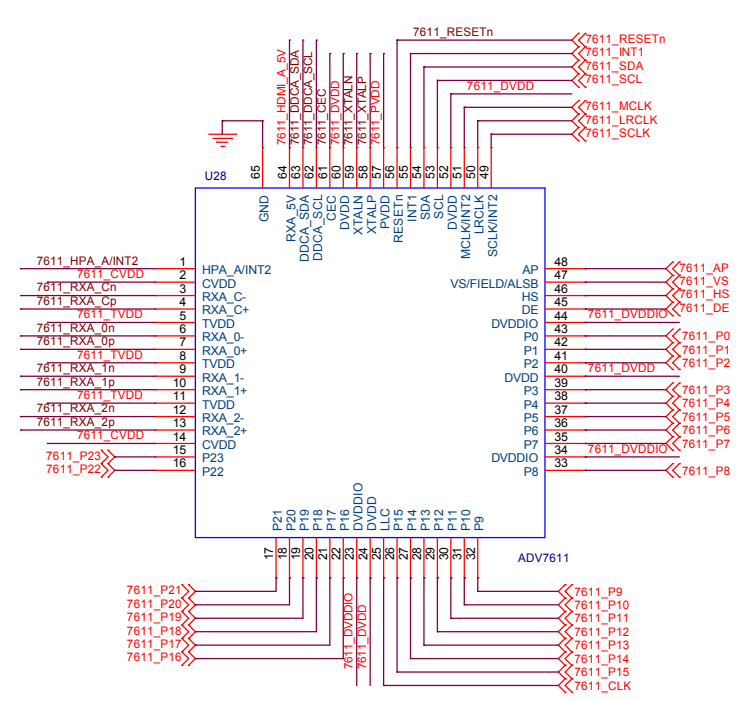
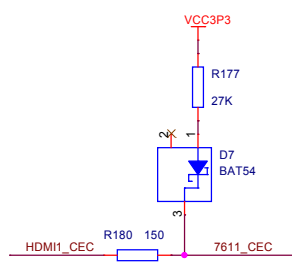
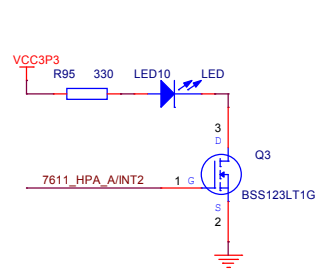
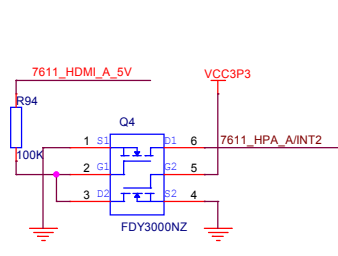




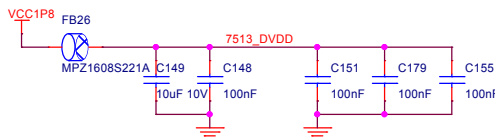
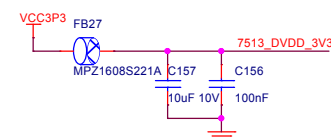
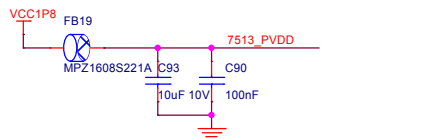
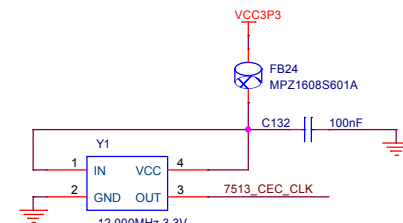
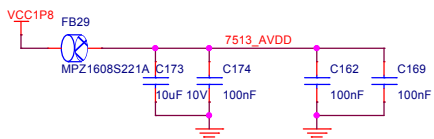
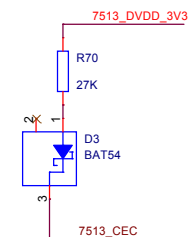
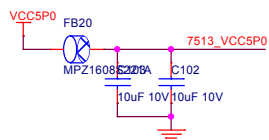
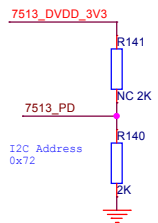
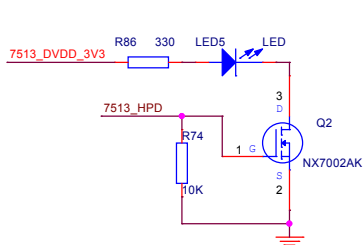
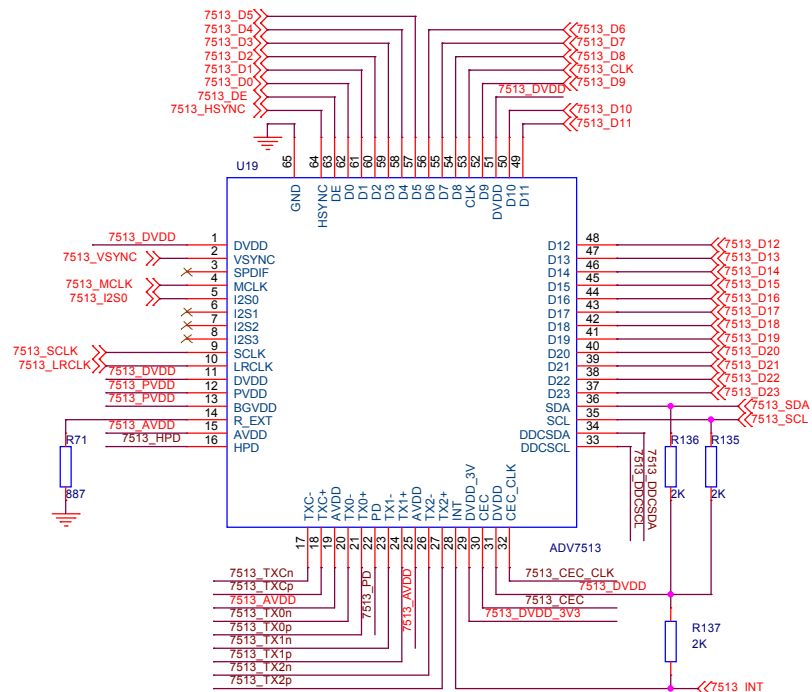
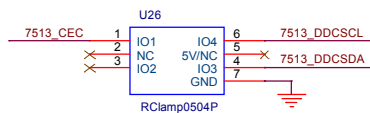
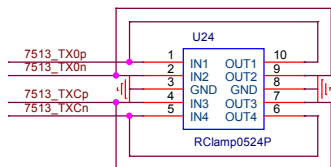
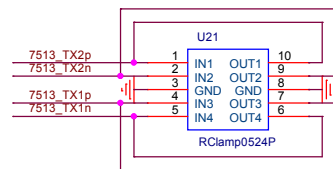
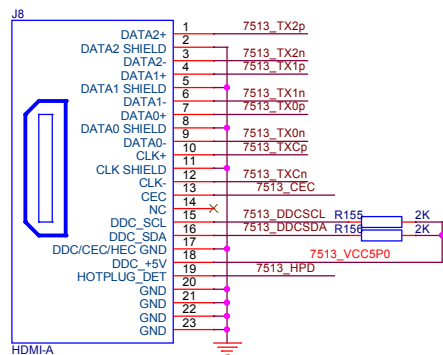


DQ[7:0], LDQSn, LDQSp and LDM分配在Bank6的DQ3  
 DQ[15:8], UDQSn, UDQSp and UDM分配在Bank7的DQ2

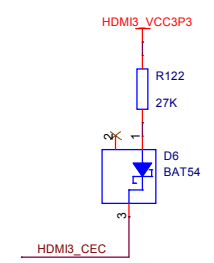
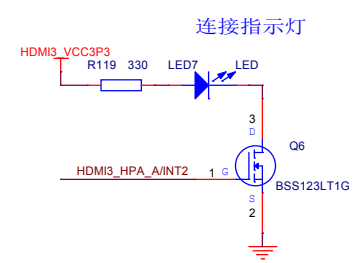
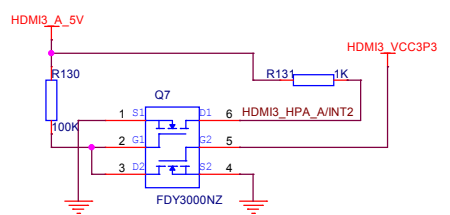
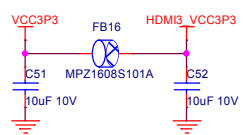
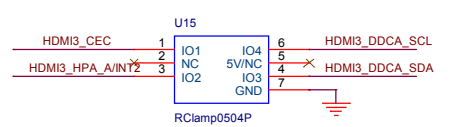
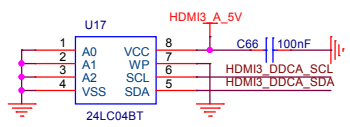
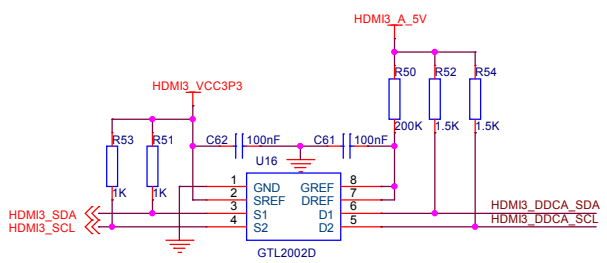
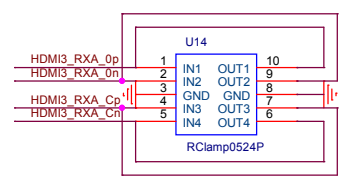
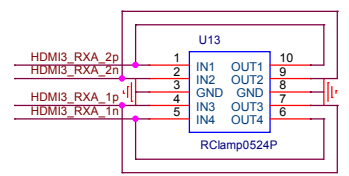
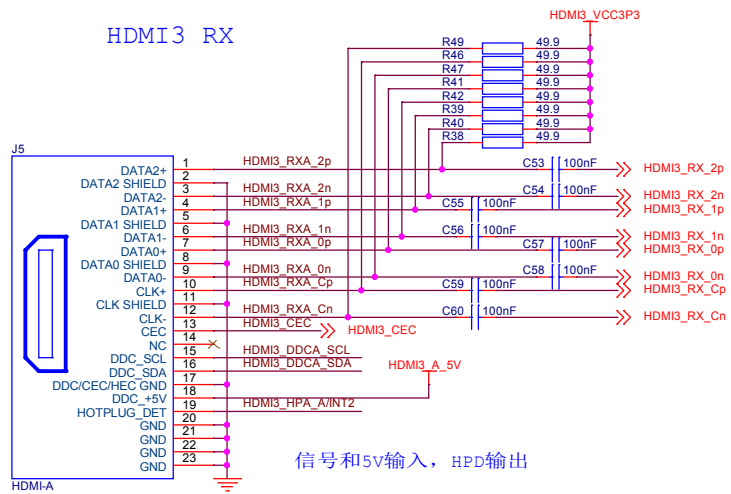




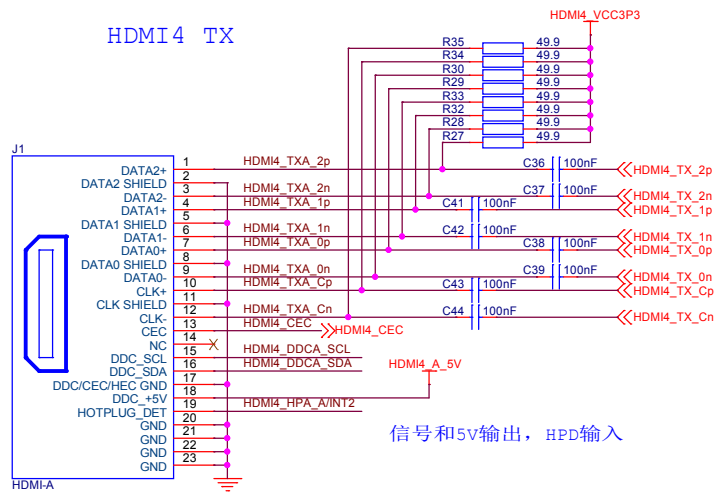
Copyright (c) 2019 by Gowin Semiconductor Corporation, Ltd.		
File: DK-VIDEO-GW2A18-PG484		
Size: A3	Document Number: HDMI1-RX-7611	Rev: V1.1
Date: Tuesday, September 03, 2019	Sheet: 11 of 14	



GOWIN			Copyright (c) 2019 by Gowin Semiconductor Corporation, Ltd.		
File DK-VIDEO-GW2A18-PG484					
Size A3	Document Number HDMI2-TX-7513				Rev V1.1
Date:	Tuesday, September 03, 2019	Sheet	12	of	14



GOWIN			Copyright (c) 2019 by Gowin Semiconductor Corporation, Ltd.
File: DK-VIDEO-GW2A18-PG484			
Size A3	Document Number: HDMI3-RX		Rev V1.1
Date: Monday, August 26, 2019	Sheet 13	of 14	



信号和5V输出, HPD输入

