

Title: DK_BLE_GW1NRF-4_INIT_MOD

Size: A	Number:	Revision:
Date: 1/3/2019		Sheet of 2

GDWIN
Semiconductor
Corporation

A

B

C

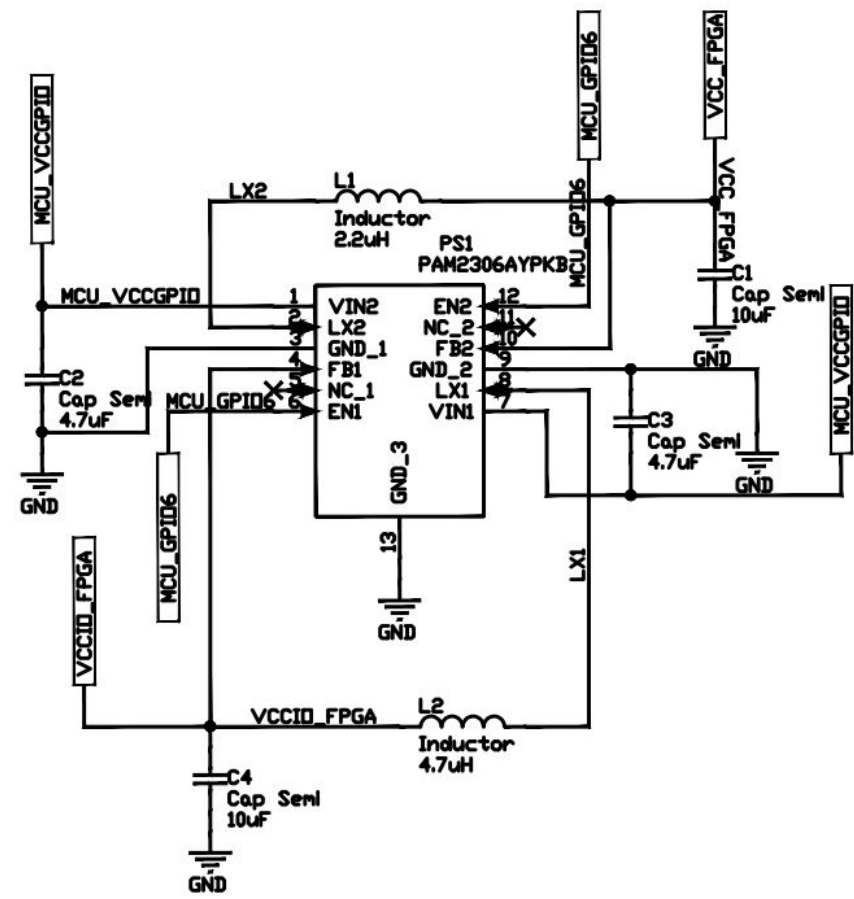
D

1

2

3

4



A

B

C

D

Title DK_BLE_GW1NRF-4_INIT_MOD			GDWIN Semiconductor Corporation
Size: A	Number: 2	Revision: 2	
Date: 1/3/2019	Sheet: of 2		

1

2

3

4