

5

4

3

2

1

D

D

C

C

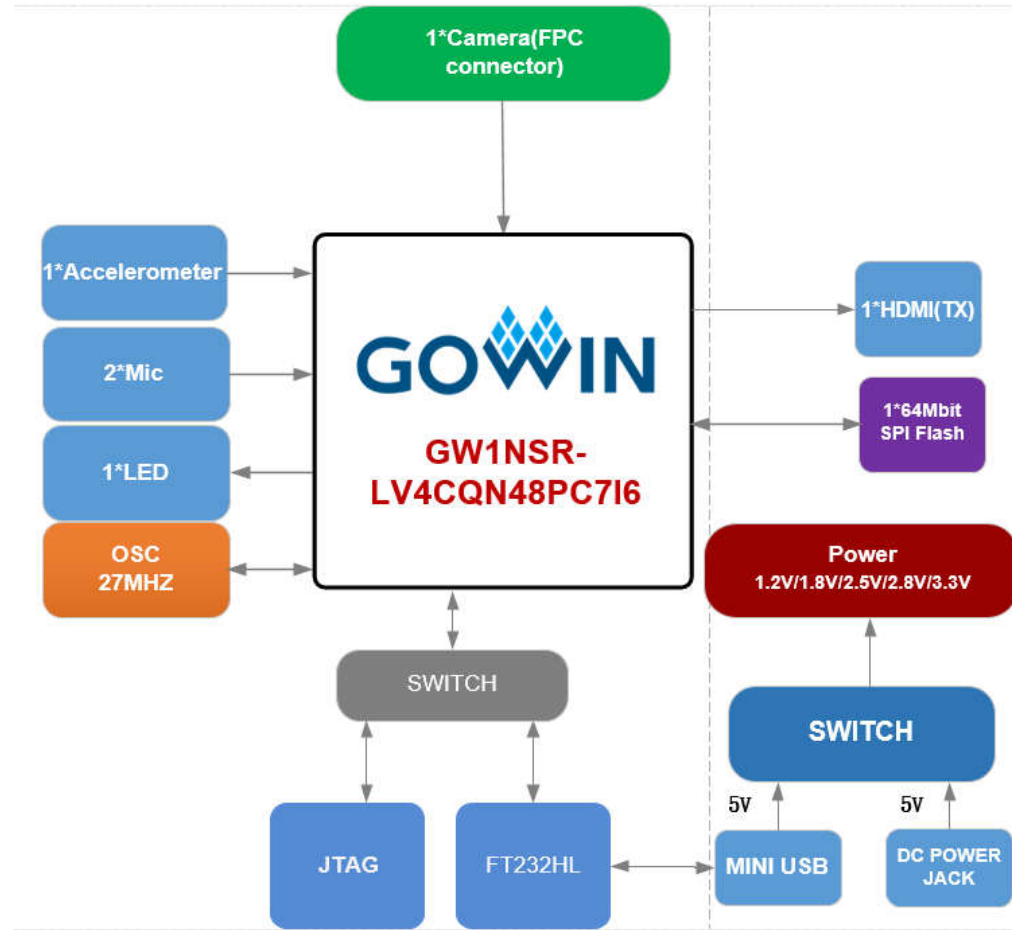
B

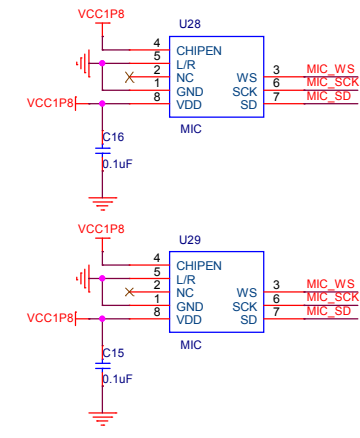
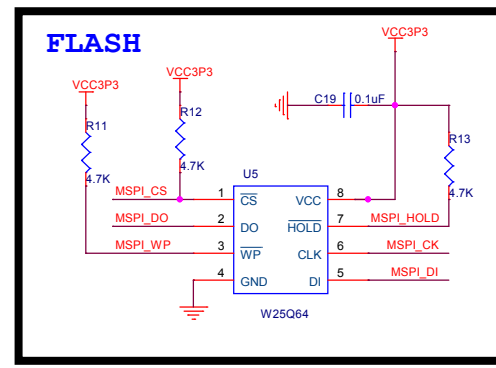
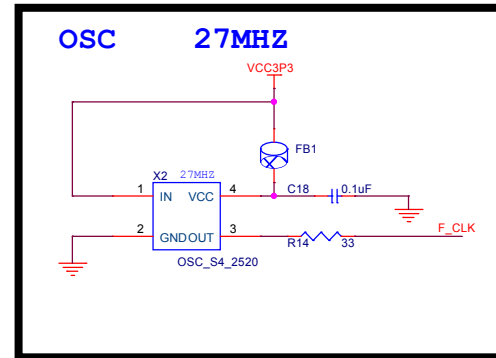
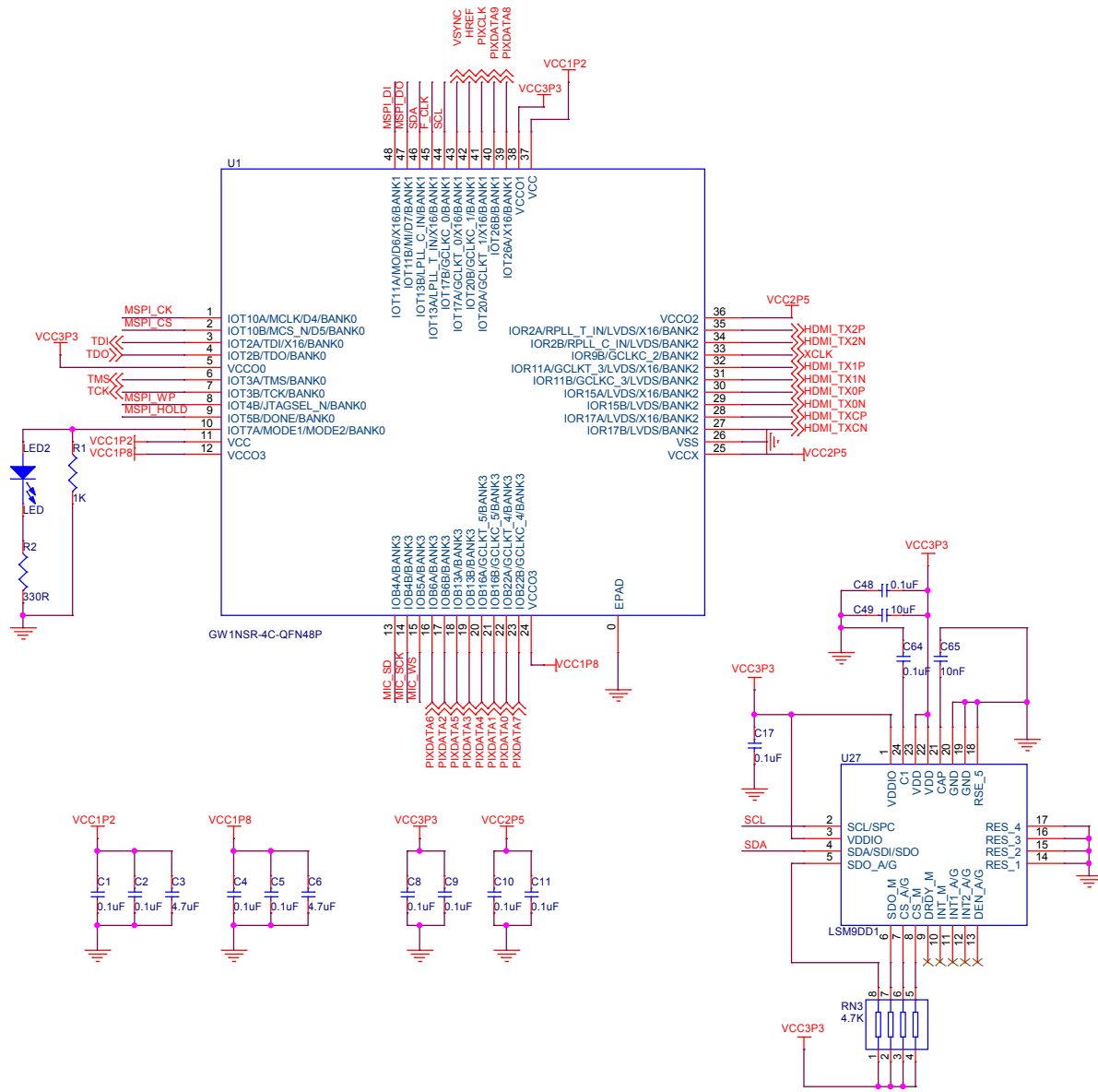
B

A

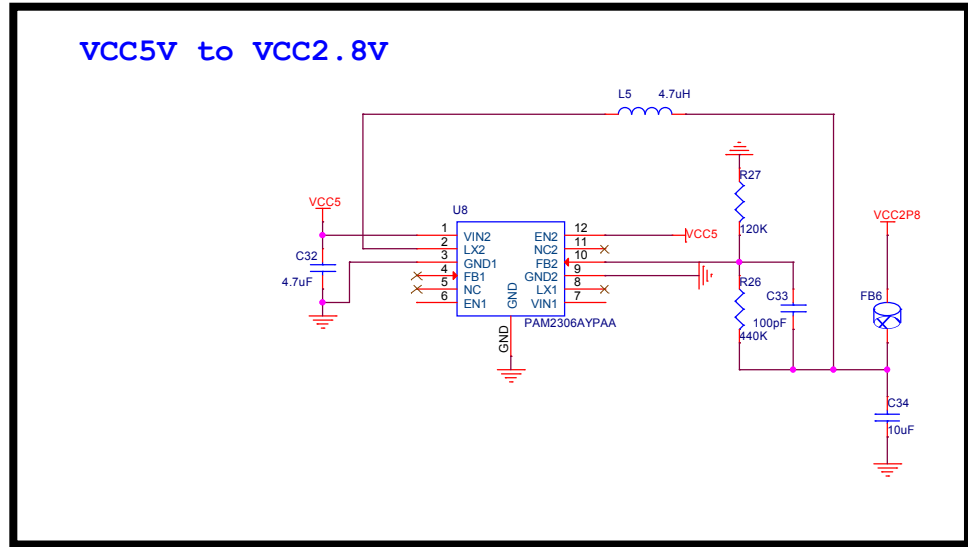
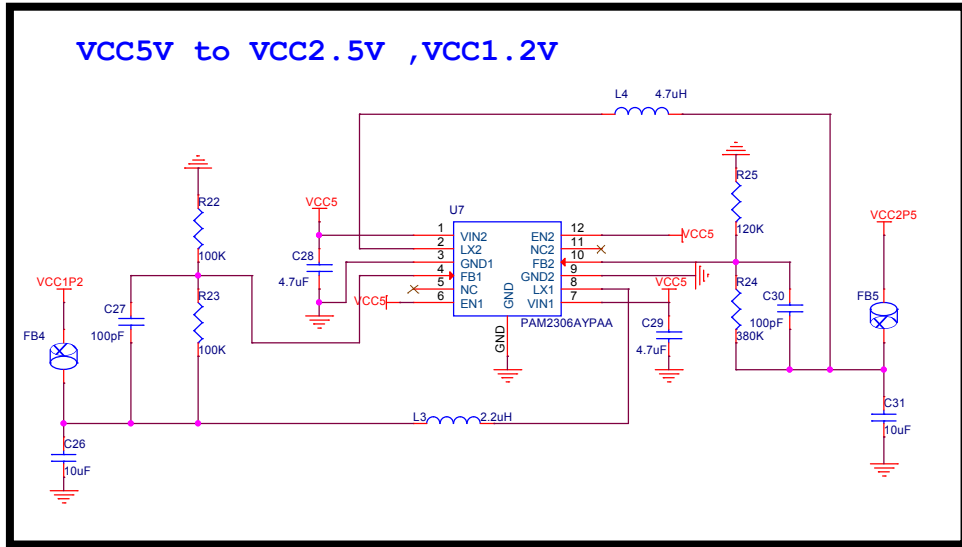
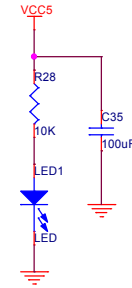
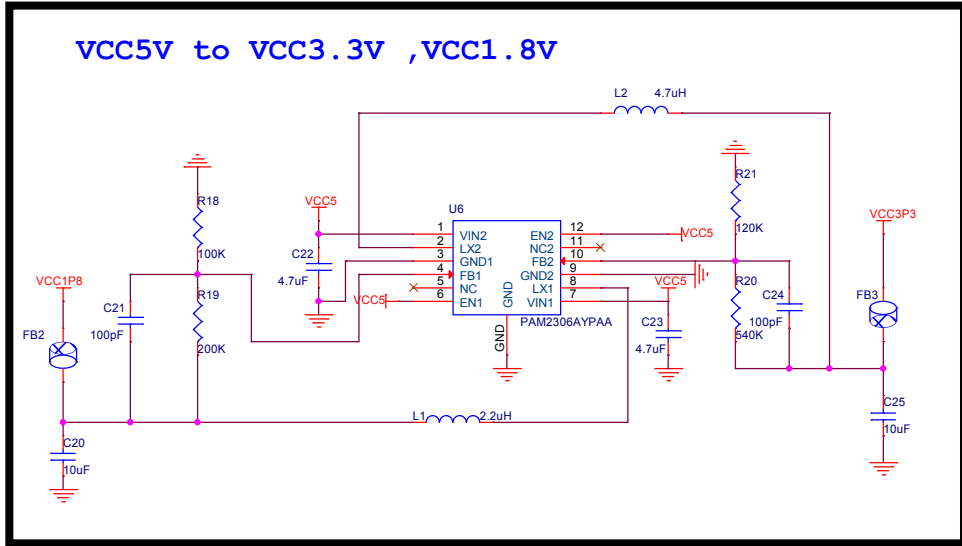
A

SCHEMATIC	CONTENT	PAGE
TOP	COVER PAGE, PLACEMENT	1-3
FPGA	FPGA	3
POWER	DC5V to 3.3V, 2.8V, 2.5V, 1.8V, 1.2V	4
Download	FPGA Download	5
INOUT	HDMI, Camera	6-8



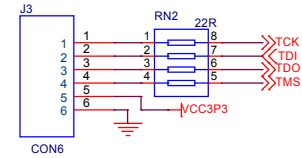
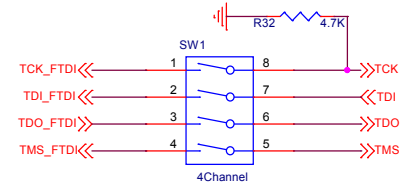
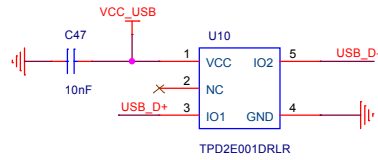
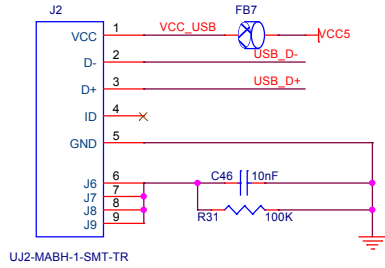
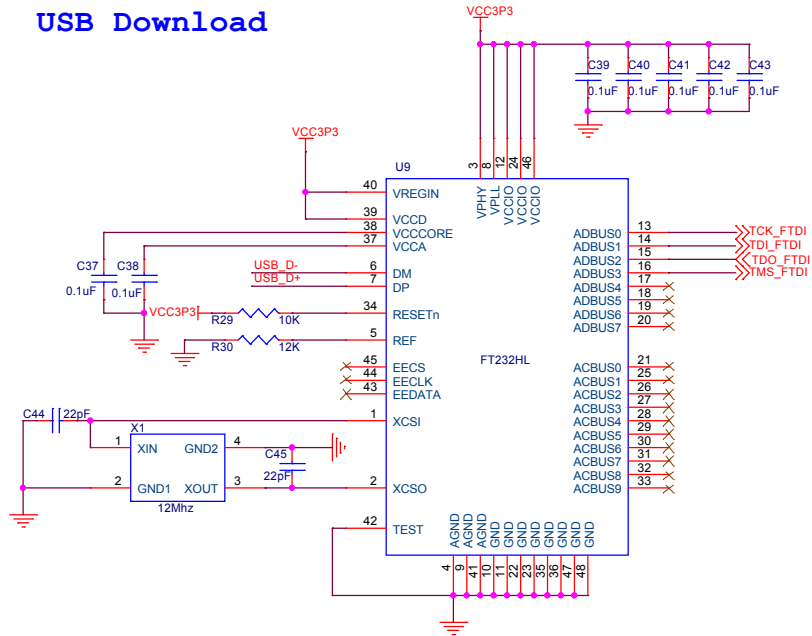


Title		
DK_GoAI_GW1NSR-LV4CQN48PC7I6		
Size	Document Number	Rev
A3	FPGA	V2.2
Date:	Tuesday, September 14, 2021	Sheet 3 of 6



Title		
DK_GoAl_GW1NSR-LV4CQN48PC7I6		
Size	Document Number	Rev
A3	DC5V,3.3V,2.8V,2.5V,1.8V,1.2V	V2.2
Date:	Tuesday, September 14, 2021	Sheet 4 of 6

USB Download



Title		
DK_GoAl_GW1NSR-LV4CQN48PC7I6		
Size	Document Number	Rev
A3	DOWNLOAD	V2.2
Date:	Tuesday, September 14, 2021	Sheet 5 of 6

