

4

3

2

1



D

D

SCHEMATIC	CONTENT	PAGE
TOP	COVER PAGE,PLACEMENT	1-2
FPGA	FPGA	3
POWER	DC5V to 3.3V,2.8V,2.5V,1.8V,1.2V	4
Download	Download	5
INOUT	HDMI,Camera	6

C

C

B

B

A

A

Copyright (c) 2020 by Gowin Semiconductor Corporation, Ltd.		
Board Name DK-GoAI-GW1NSR4-QN48P		
Size A2	Title COVER PAGE	Rev V2.2
Date Friday, June 19, 2020	Sheet 1 of 6	

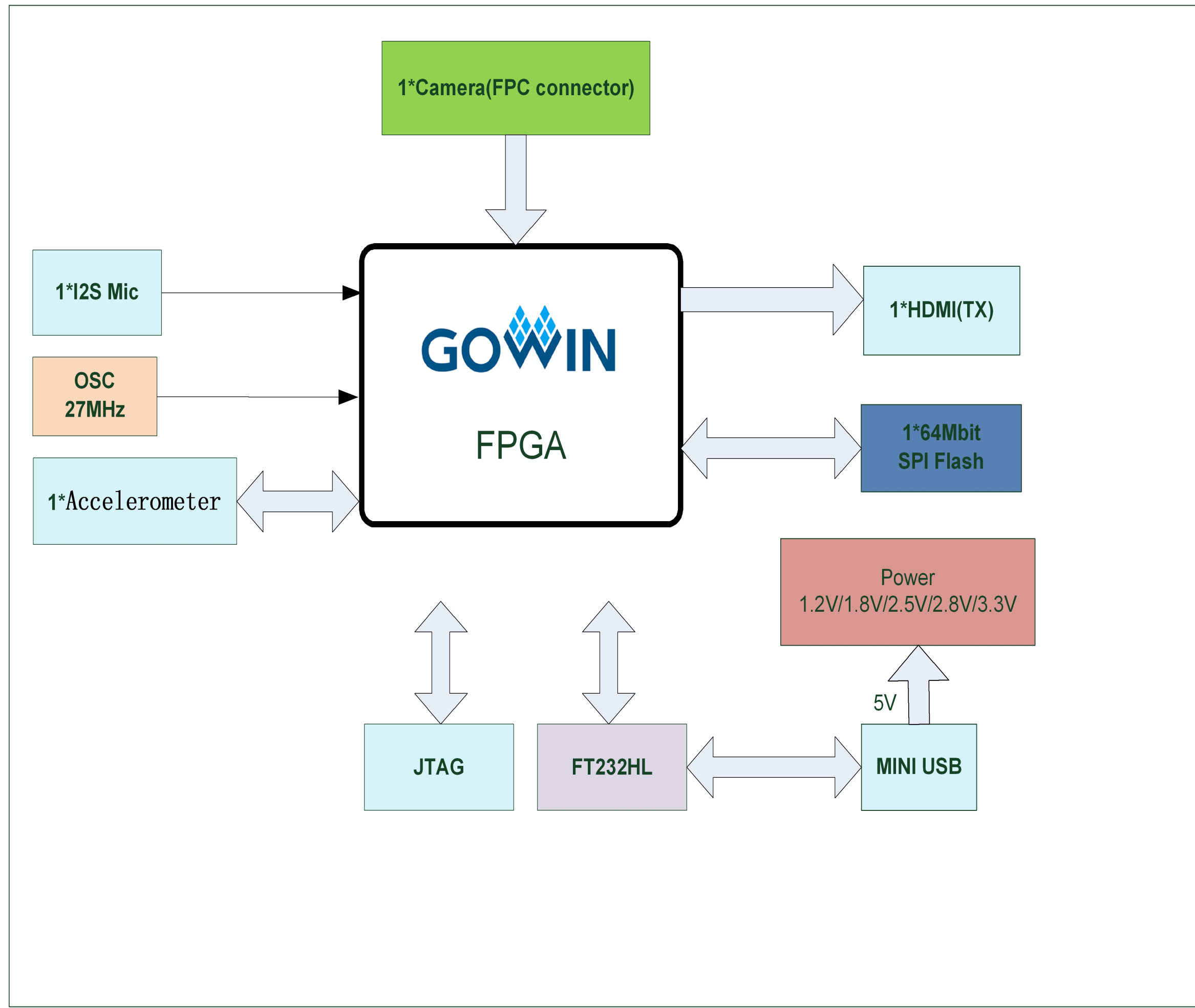
4

3

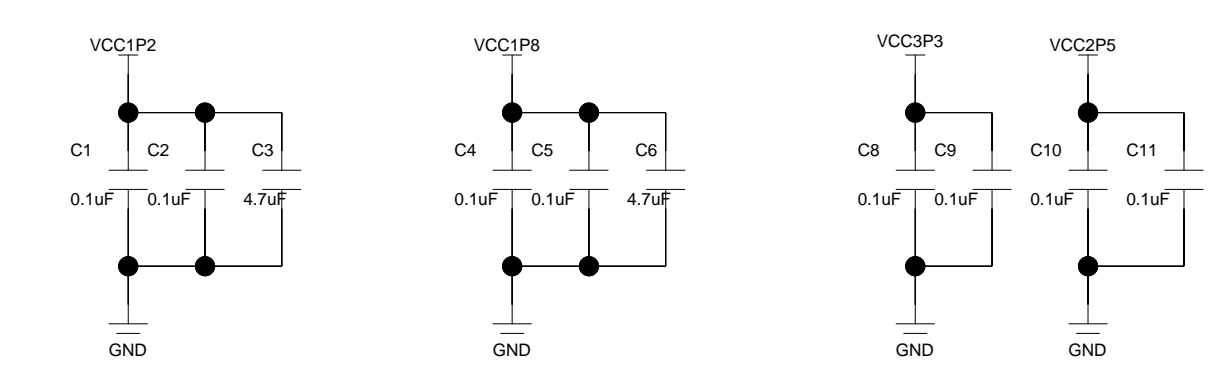
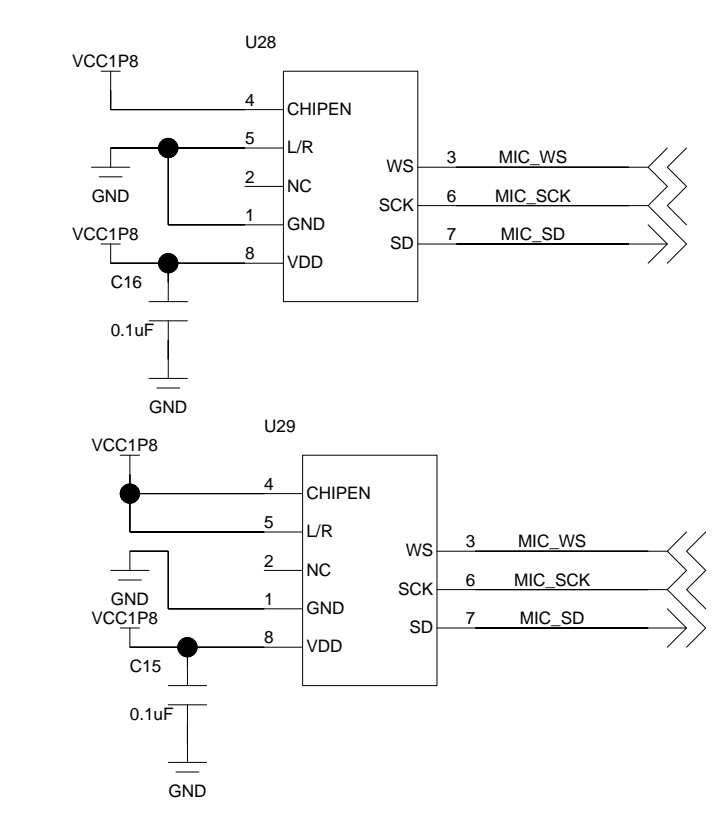
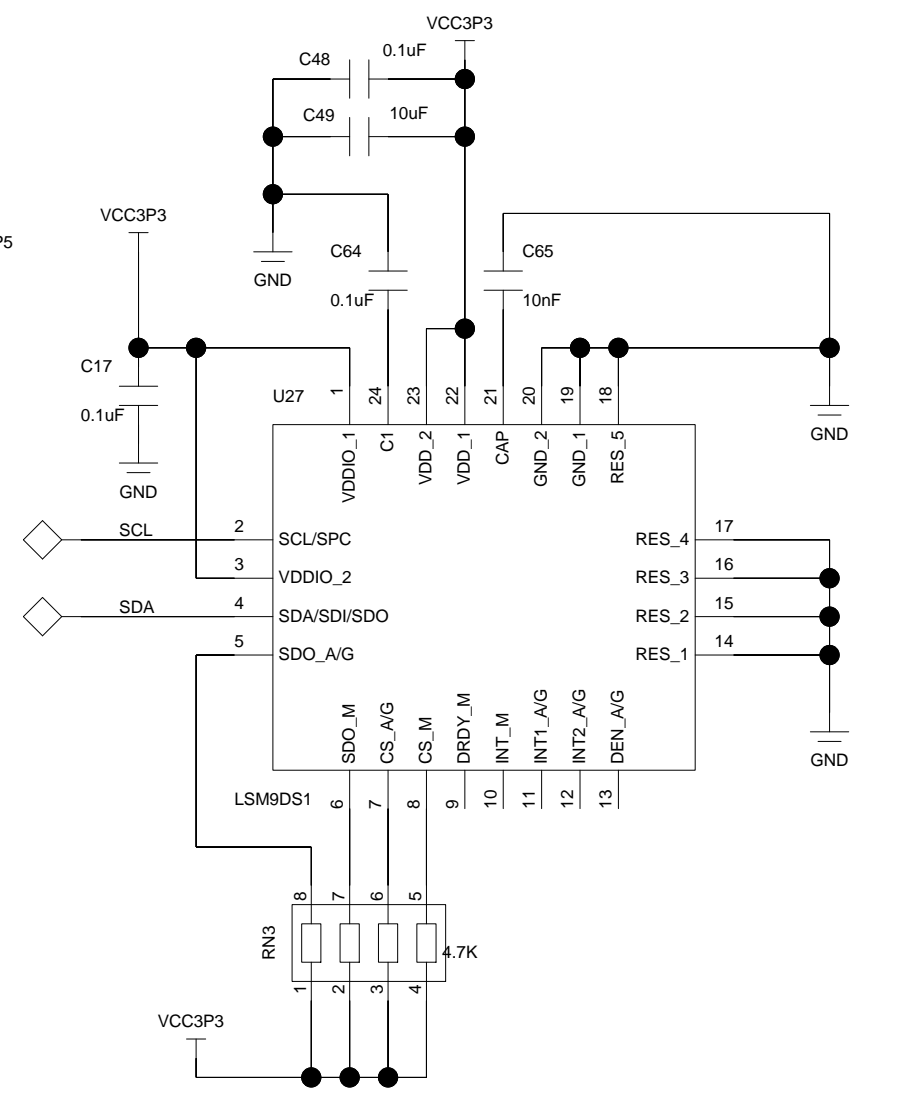
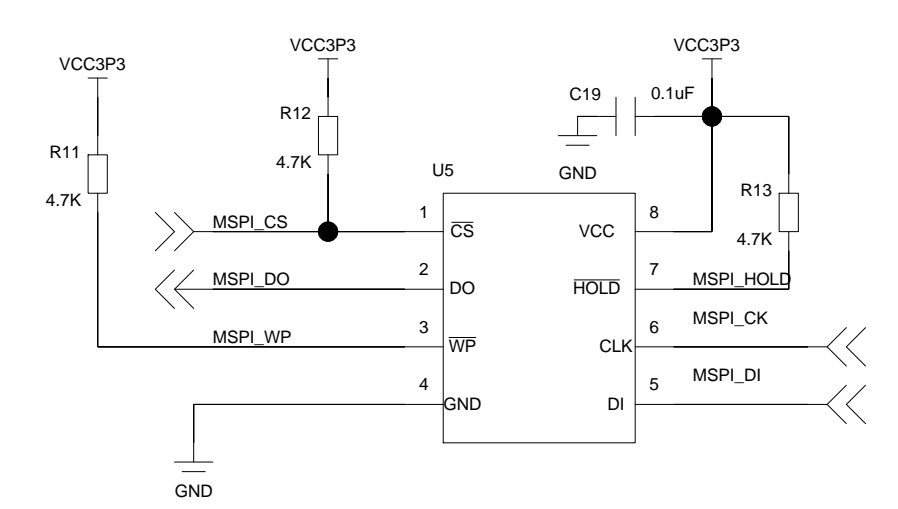
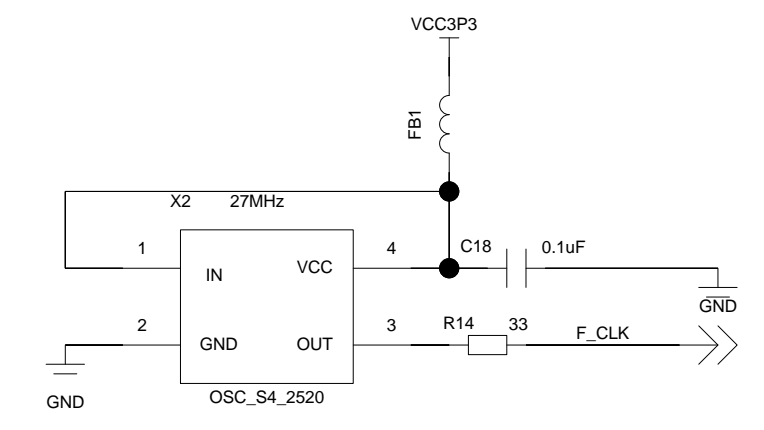
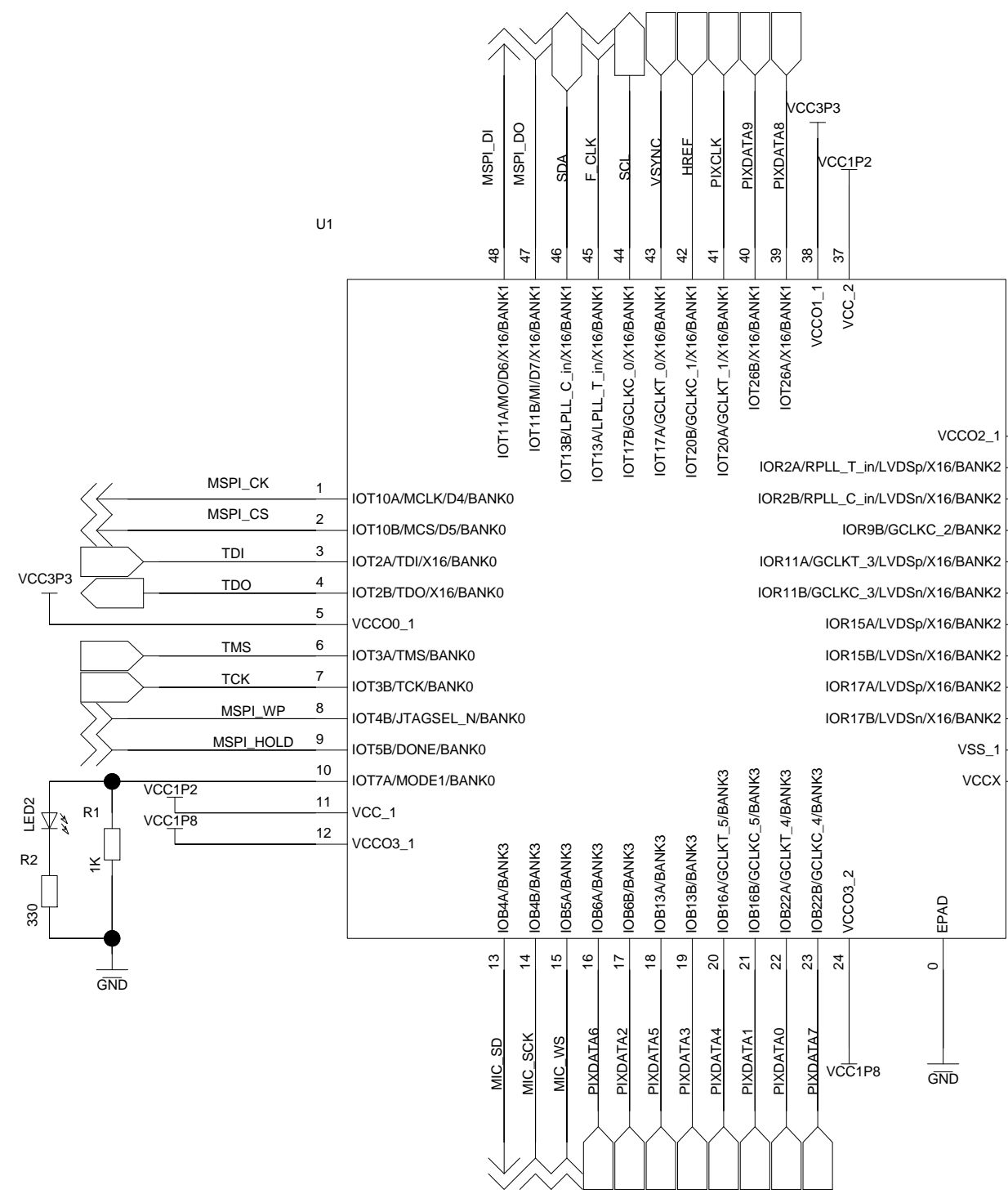
2

1





Copyright (c) 2020 by Gowin Semiconductor Corporation, Ltd.		
Title DK-GoAI-GW1NSR4-QN48P		
Size A2	Document Number Placement	Rev V2.2
Date Friday, June 19, 2020	Sheet 2 of 6	



Note!
 1. VCC03 is pSRAM power supply in Use of GW1NSR-LV4CQN48P & GW1SER-LV4CQN48P

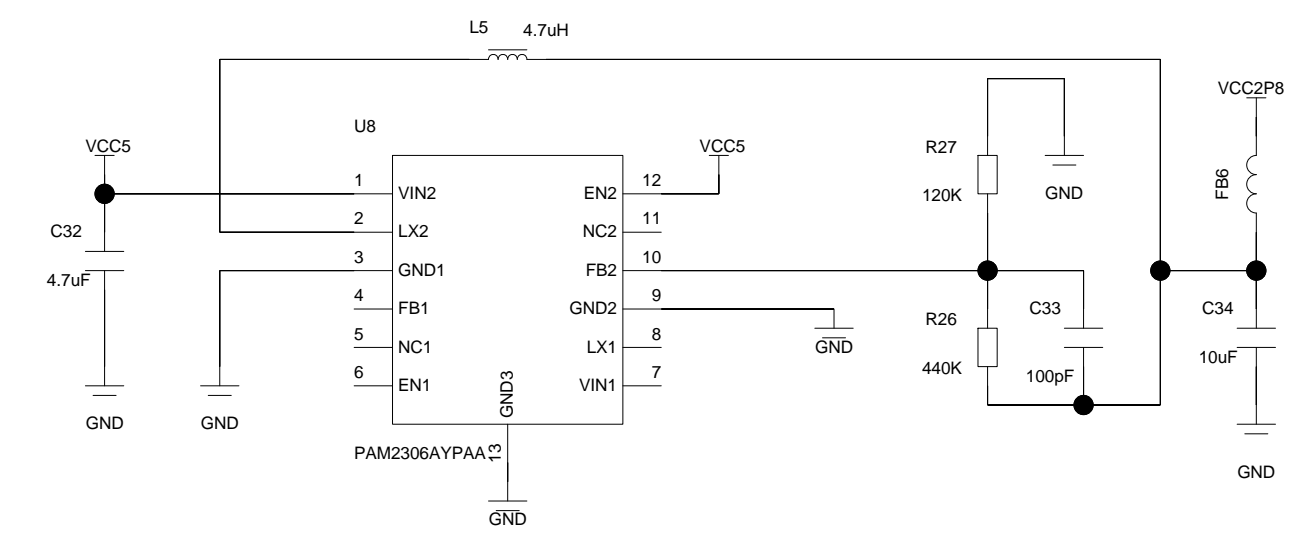
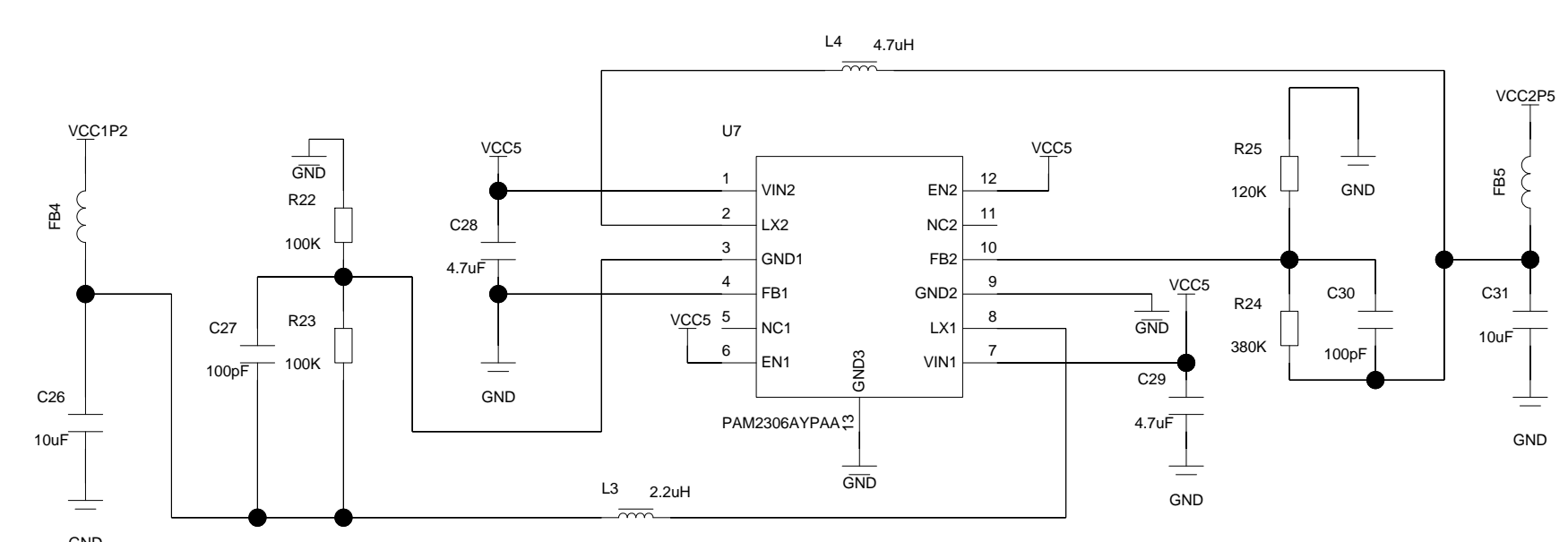
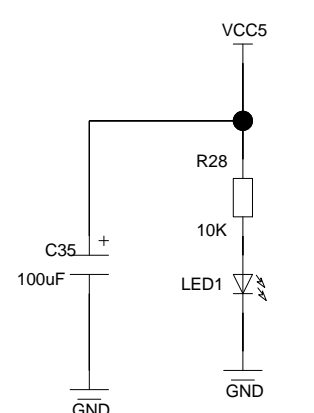
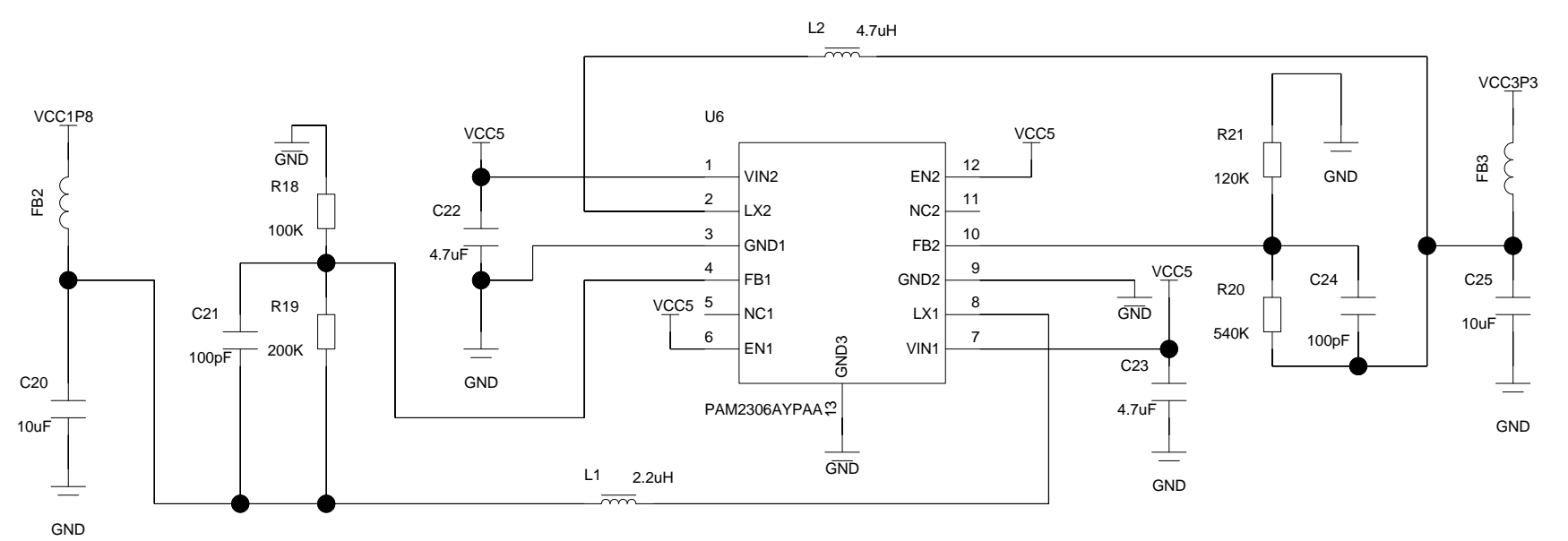
Copyright (c) 2020 by Gowin Semiconductor Corporation, Ltd.		
Board Name DK-GoAI-GW1NSR4-QN48P		
Size A2	Title FPGA	Rev V2.2
Date Friday, June 19, 2020	Sheet 3 of 6	

4

3

2

1



Copyright (c) 2020 by Gowin Semiconductor Corporation, Ltd.

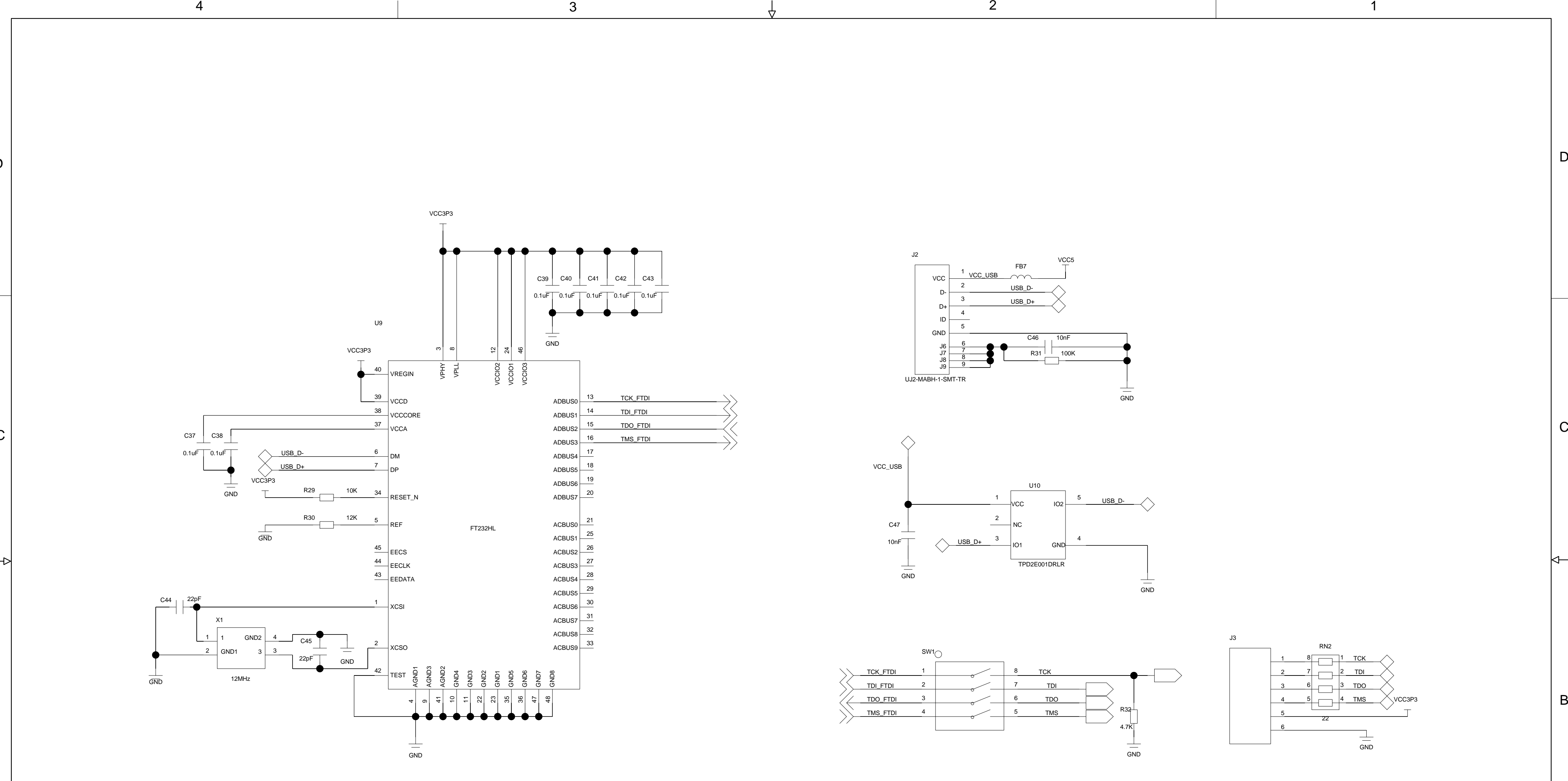
Title		
DK-GoAI-GW1NSR4-QN48P		
Size	Document Number	Rev
A2	5V to 3.3V,2.8V,2.5V,1.2V	V2.2
Date	Friday, June 19, 2020	Sheet 4 of 6

4

3

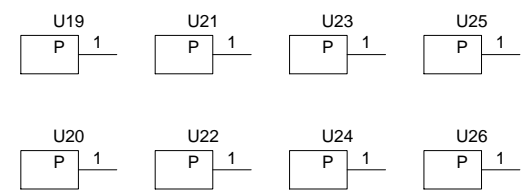
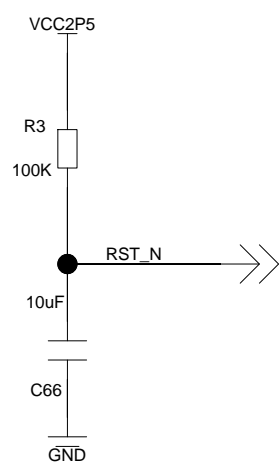
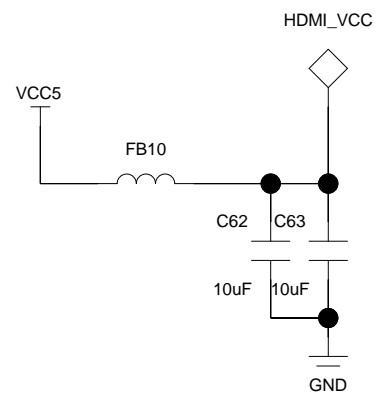
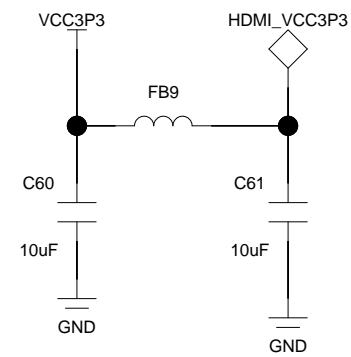
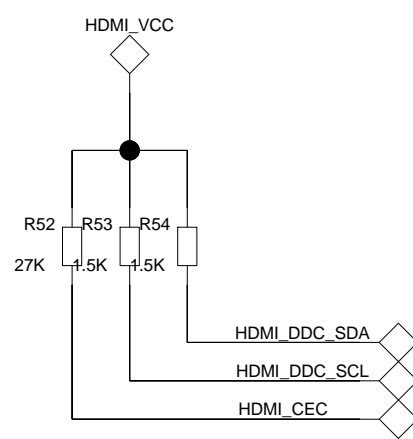
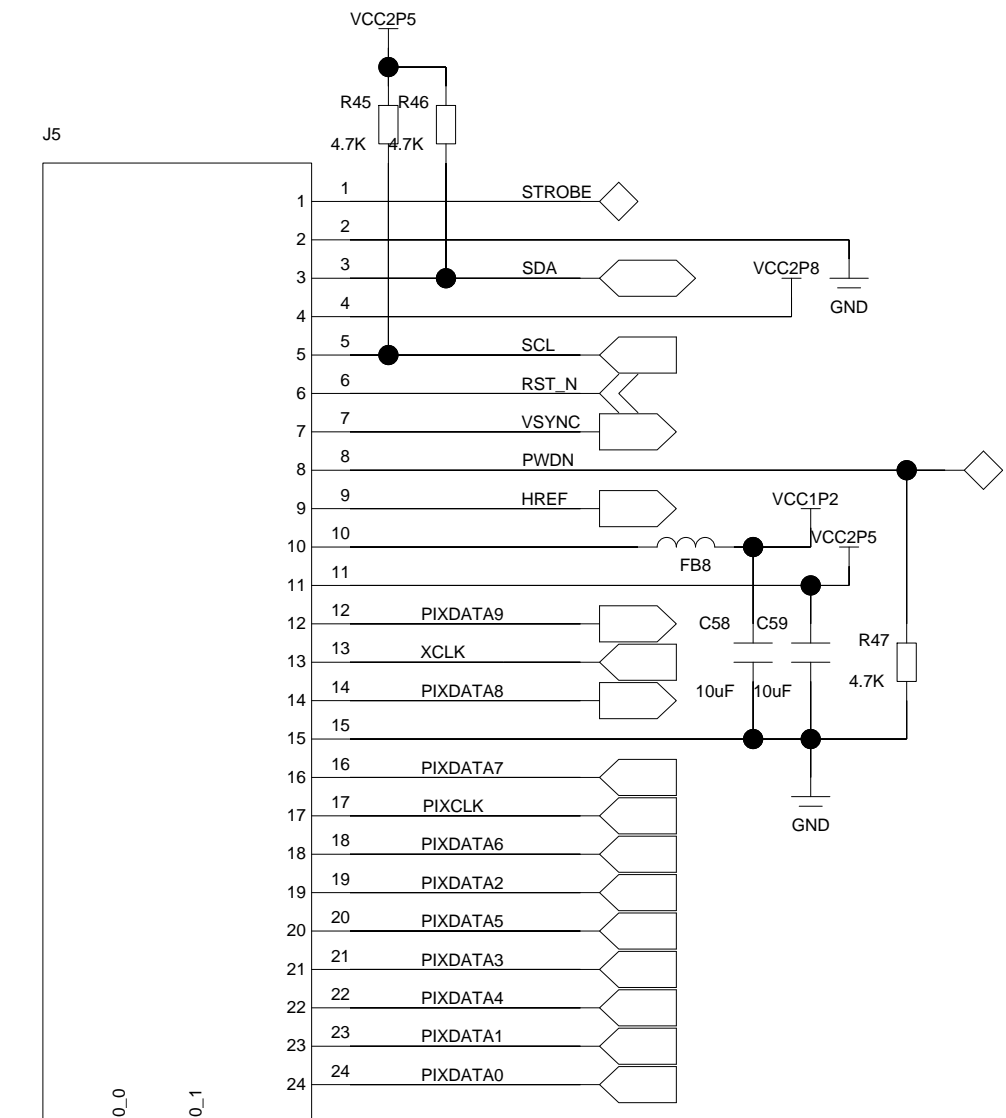
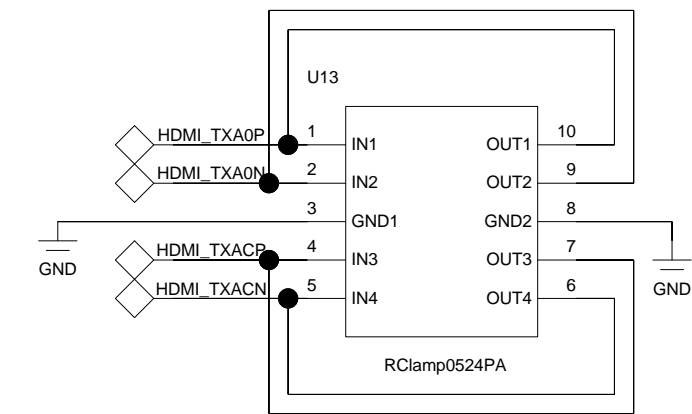
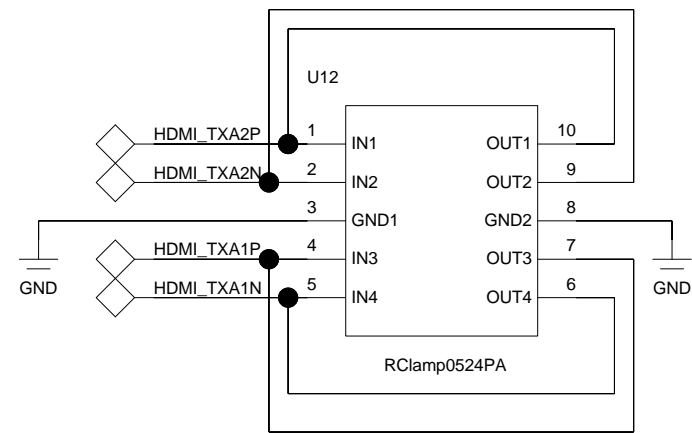
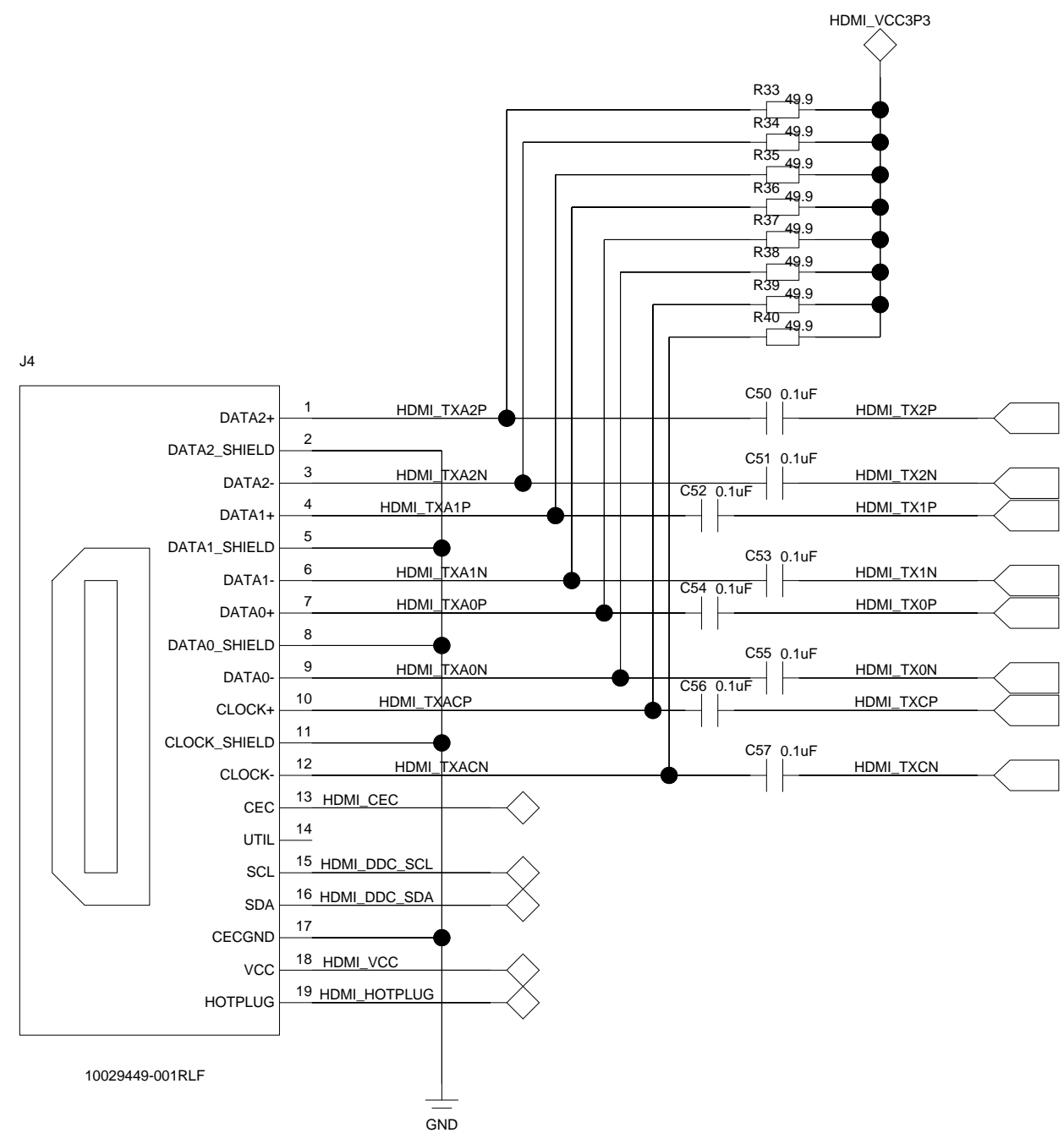
2

1



Copyright (c) 2020 by Gowin Semiconductor Corporation, Ltd.

Title		
DK-GoAI-GW1NSR4-QN48P		
Size	Document Number	Rev
A2	Download	V2.2
Date	Friday, June 19, 2020	Sheet 5 of 6



Copyright (c) 2020 by Gowin Semiconductor Corporation, Ltd.		
Board Name DK-GoAI-GW1NSR4-QN48P		
Size A2	Title HDMI TX,FPC,LED	Rev V2.2
Date Friday, June 19, 2020	Sheet 6 of 6	