

5

4

3

2

1

D

D

C

C

B

B

A

A

SCHEMATIC	CONTENT	PAGE
TOP	COVER PAGE, PLACEMENT	1-2
POWER	DC5V, 3.3V, 2.8V, 2.5V, 1.8V, 1.2V	3
FPGA	FPGA	4
Download	FPGA Download	5
INOUT	HDMI_TX/HDMI_RX, LED, Camera	6-7

5

4

3

2

1

D

D

C

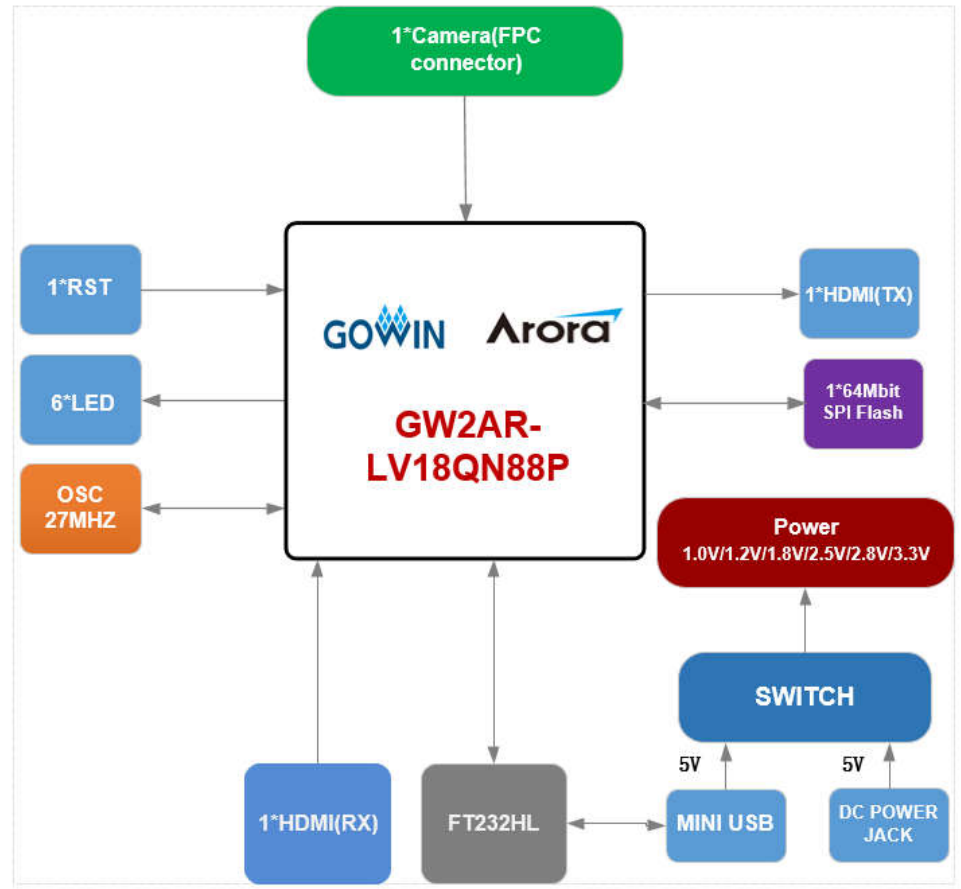
C

B

B

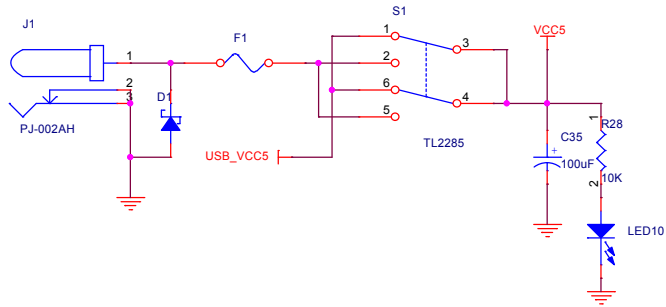
A

A

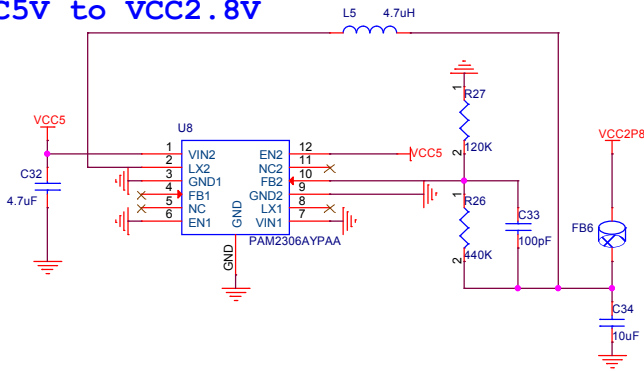


Title		
DK_GoAI_GW2AR-LV18QN88PC817		
Size	Document Number	Rev
A3	PLACEMENT	V1.1
Date:	Friday, September 10, 2021	Sheet 2 of 7

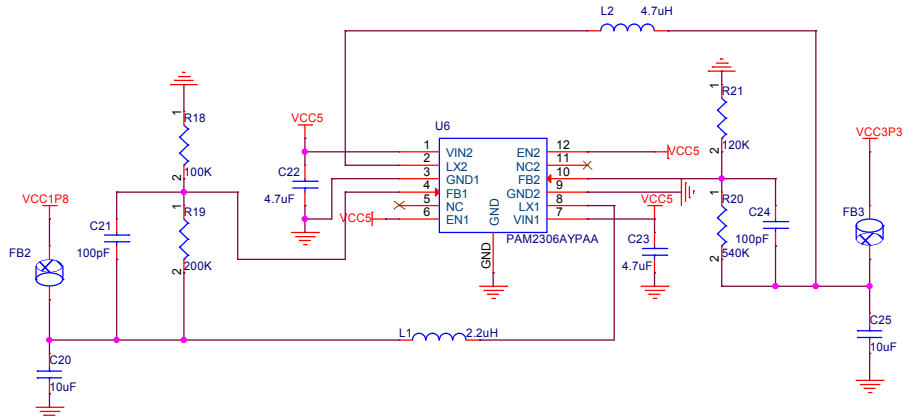
POWER INPUT



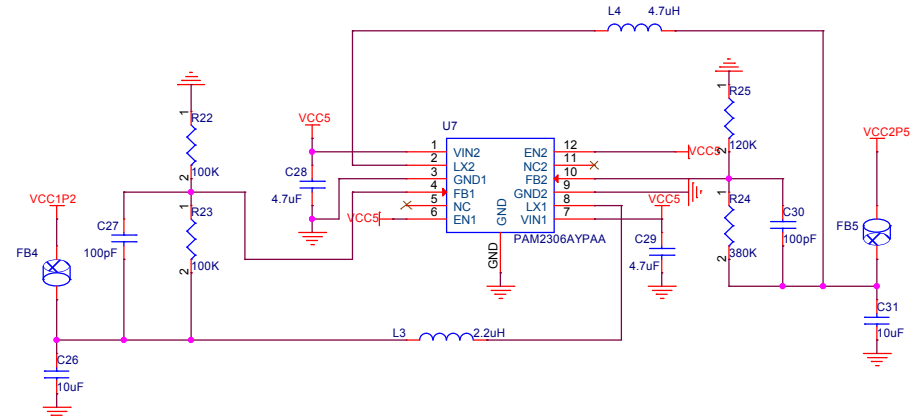
VCC5V to VCC2.8V



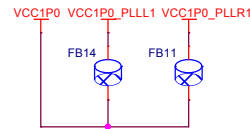
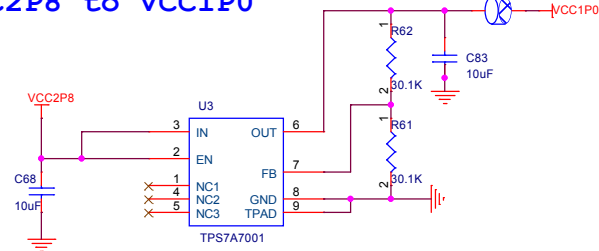
VCC5V to VCC3.3V ,VCC1.8V



VCC5V to VCC2.5V ,VCC1.2V

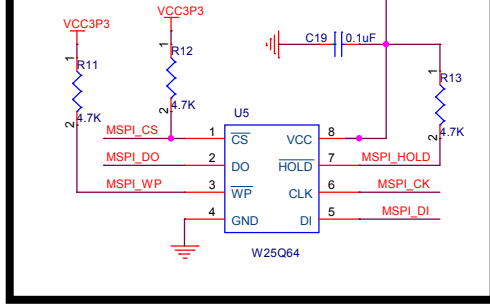


VCC2P8 to VCC1P0

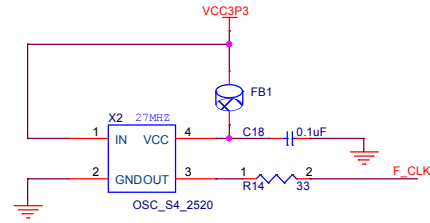


Title		
DK_GoAI_GW2AR-LV18QN88PC817		
Size	Document Number	Rev
A3	5V,3.3V,2.8V,2.5V,1.2V,1.0V	V1.1
Date:	Friday, September 10, 2021	Sheet 3 of 7

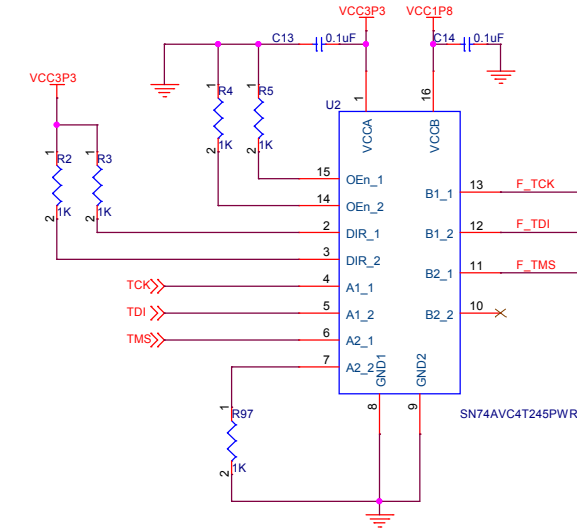
FLASH



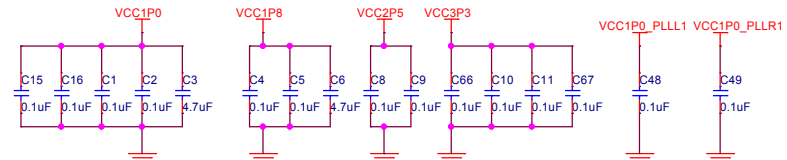
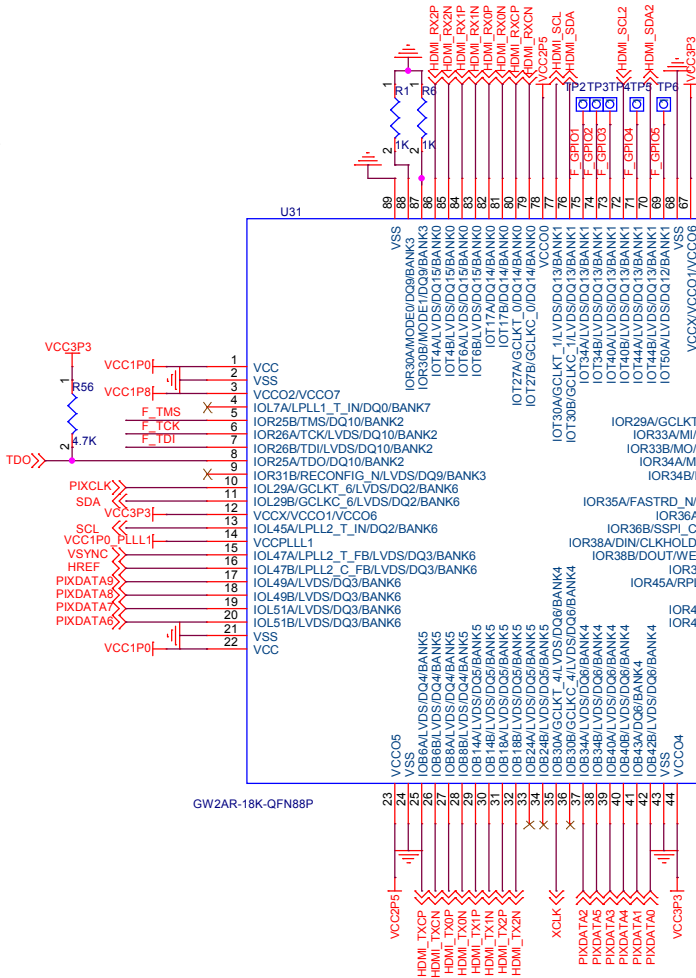
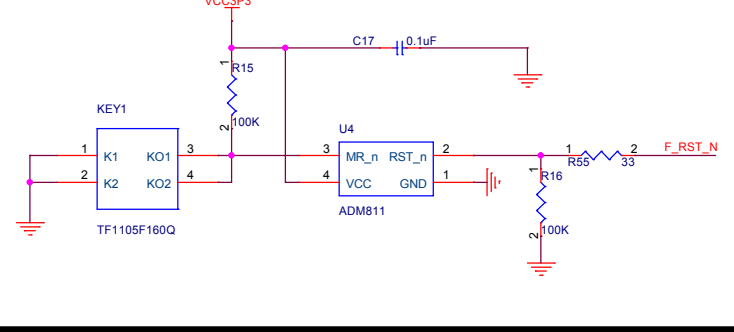
OSC 27MHZ



4-way dual power bus transceiver

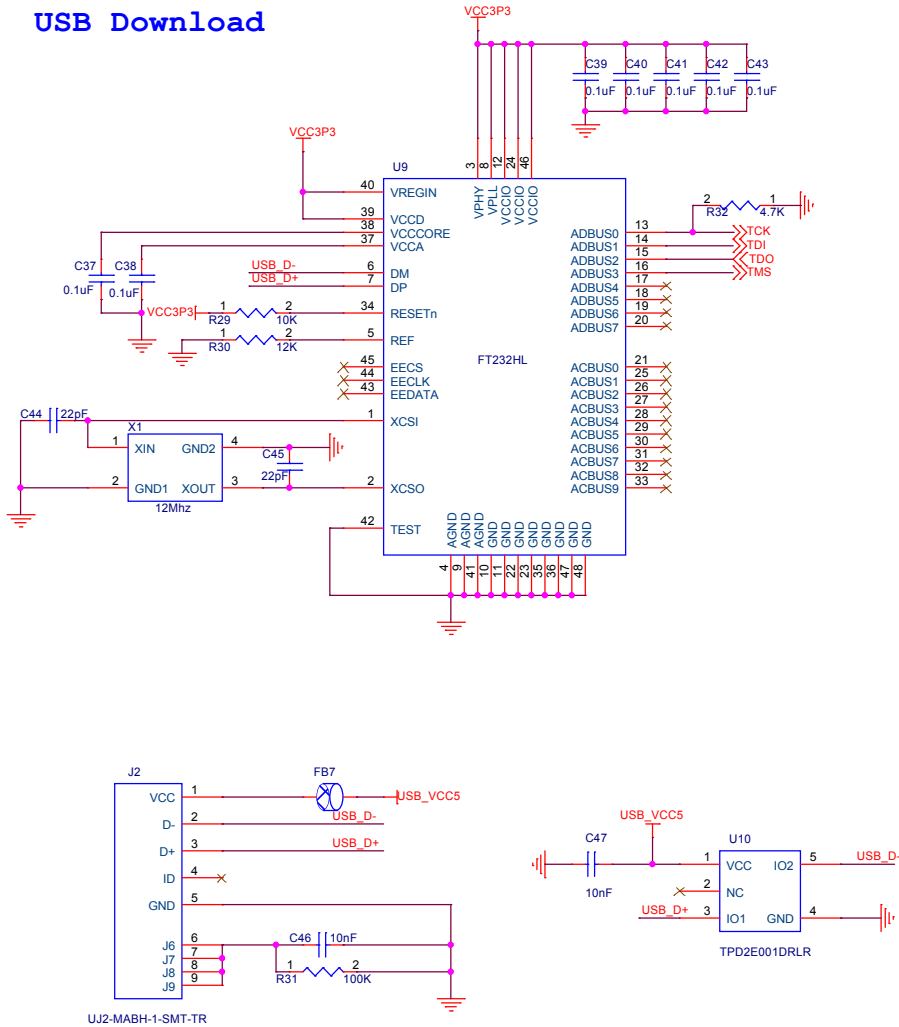


RESET



Title		
DK_GoAI_GW2AR-LV18QN88PC817		
Size	Document Number	Rev
A3	FPGA_RST_OSC_FLASH	V1.1
Date:	Friday, September 10, 2021	Sheet 4 of 7

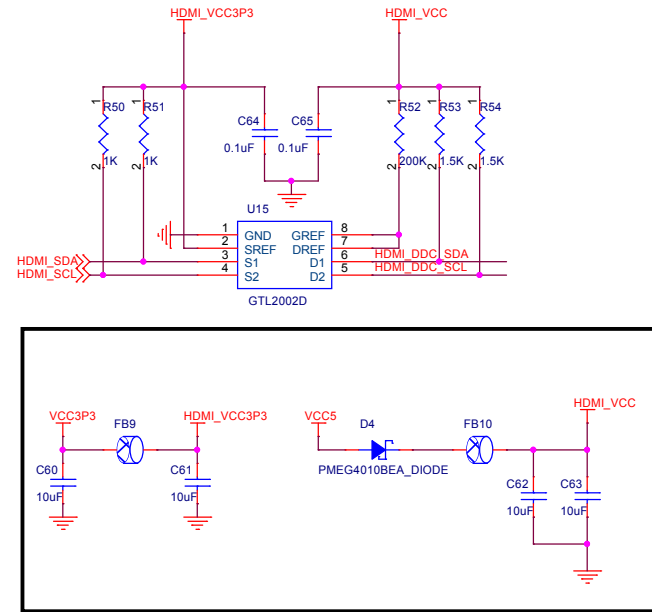
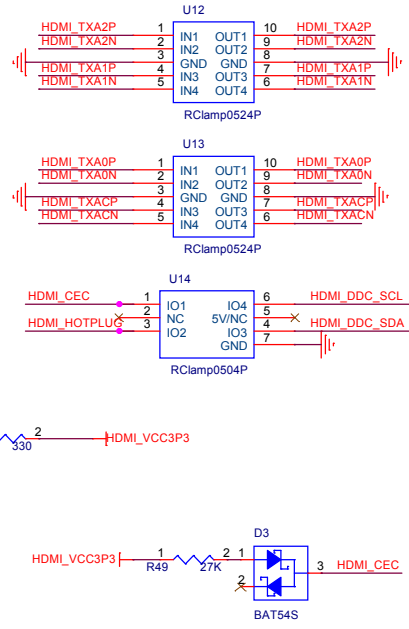
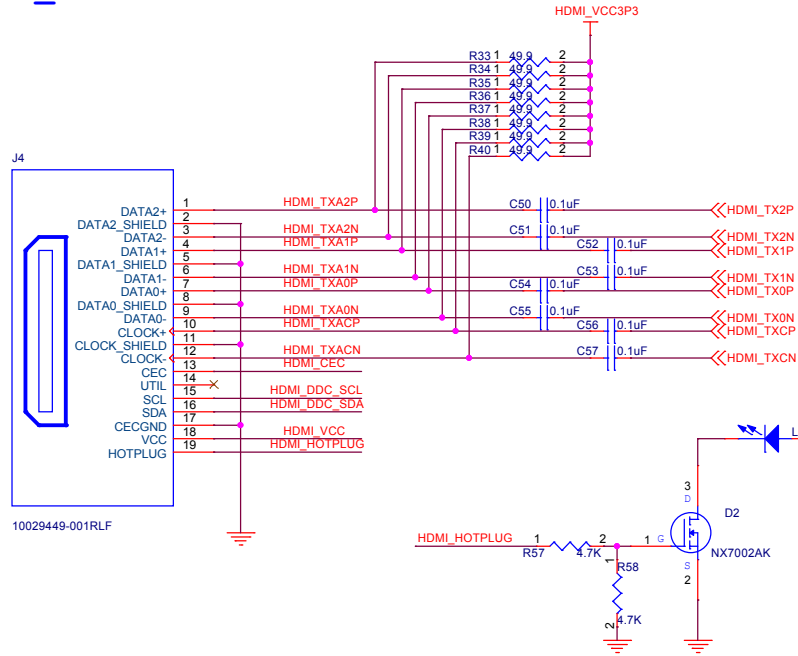
USB Download



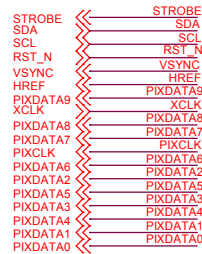
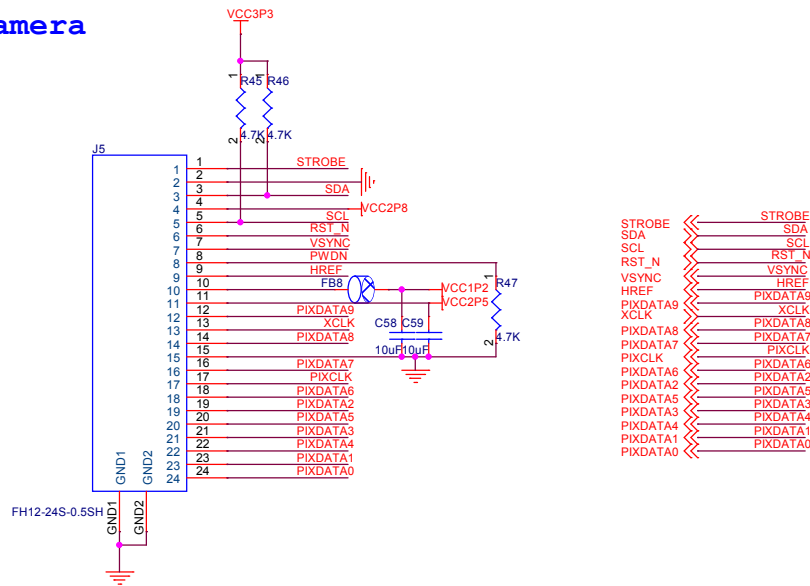
UJ2-MABH-1-SMT-TR

Title		
DK_GoAI_GW2AR-LV18QN88PC817		
Size	Document Number	Rev
A3	USB Download	V1.1
Date:	Friday, September 10, 2021	Sheet 5 of 7

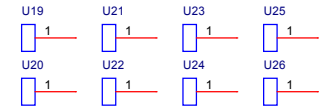
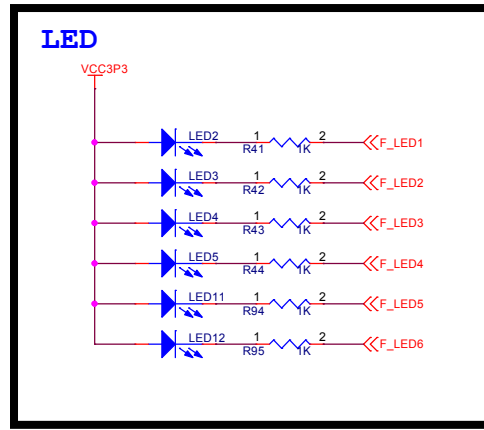
HDMI_TX



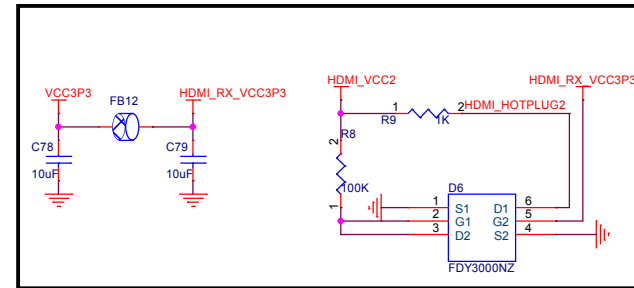
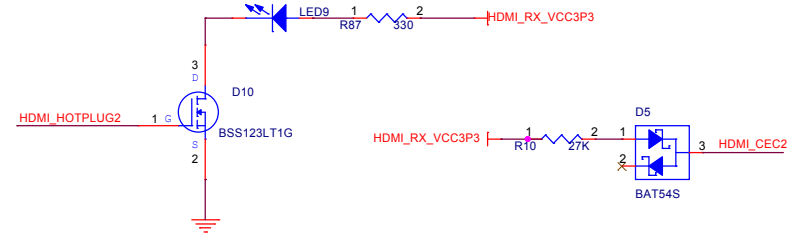
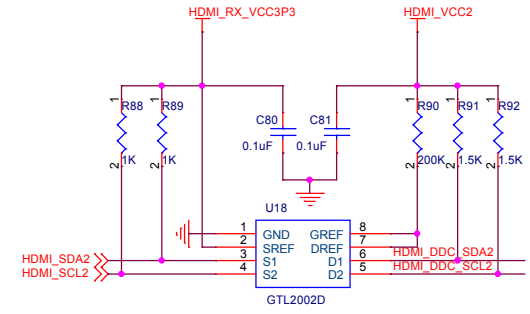
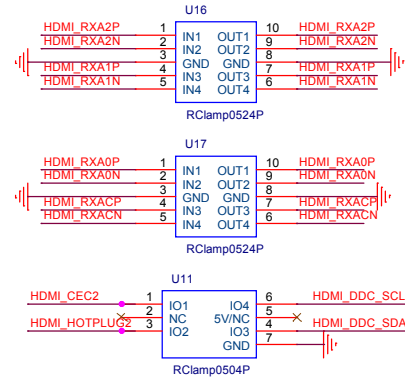
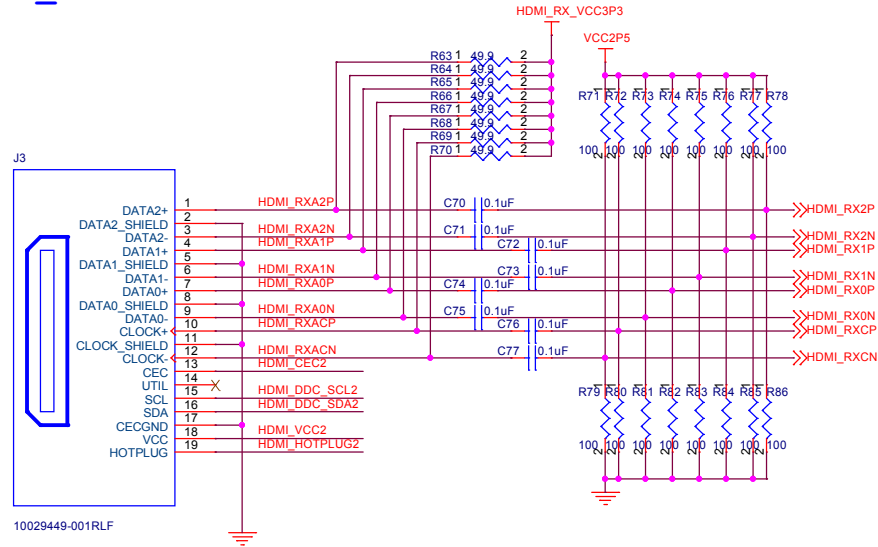
Camera



LED



HDMI_RX



Title		
DK_GoAI_GW2AR-LV18QN88PC817		
Size	Document Number	Rev
A3	HDMI_RX	V1.1
Date:	Friday, September 10, 2021	Sheet 7 of 7