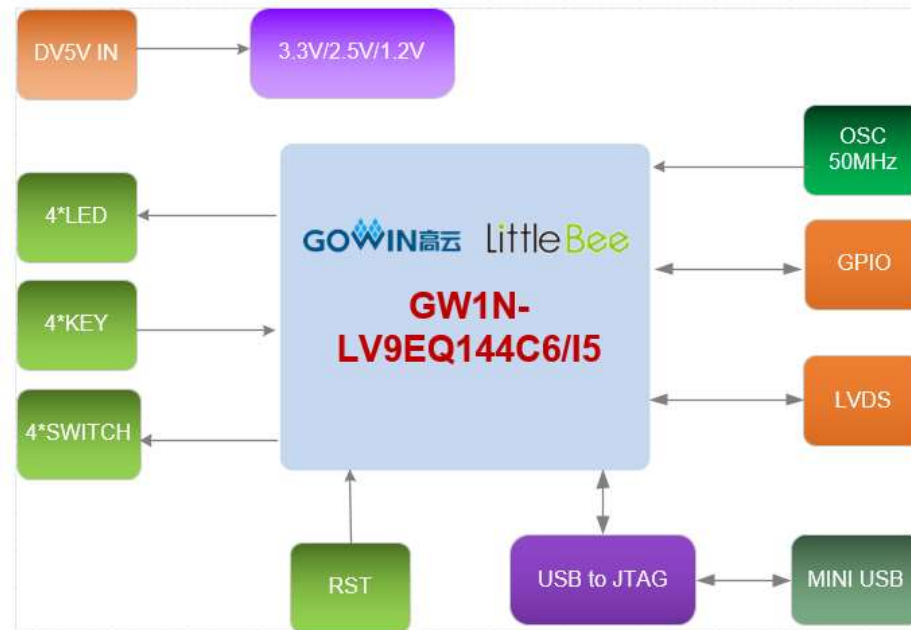
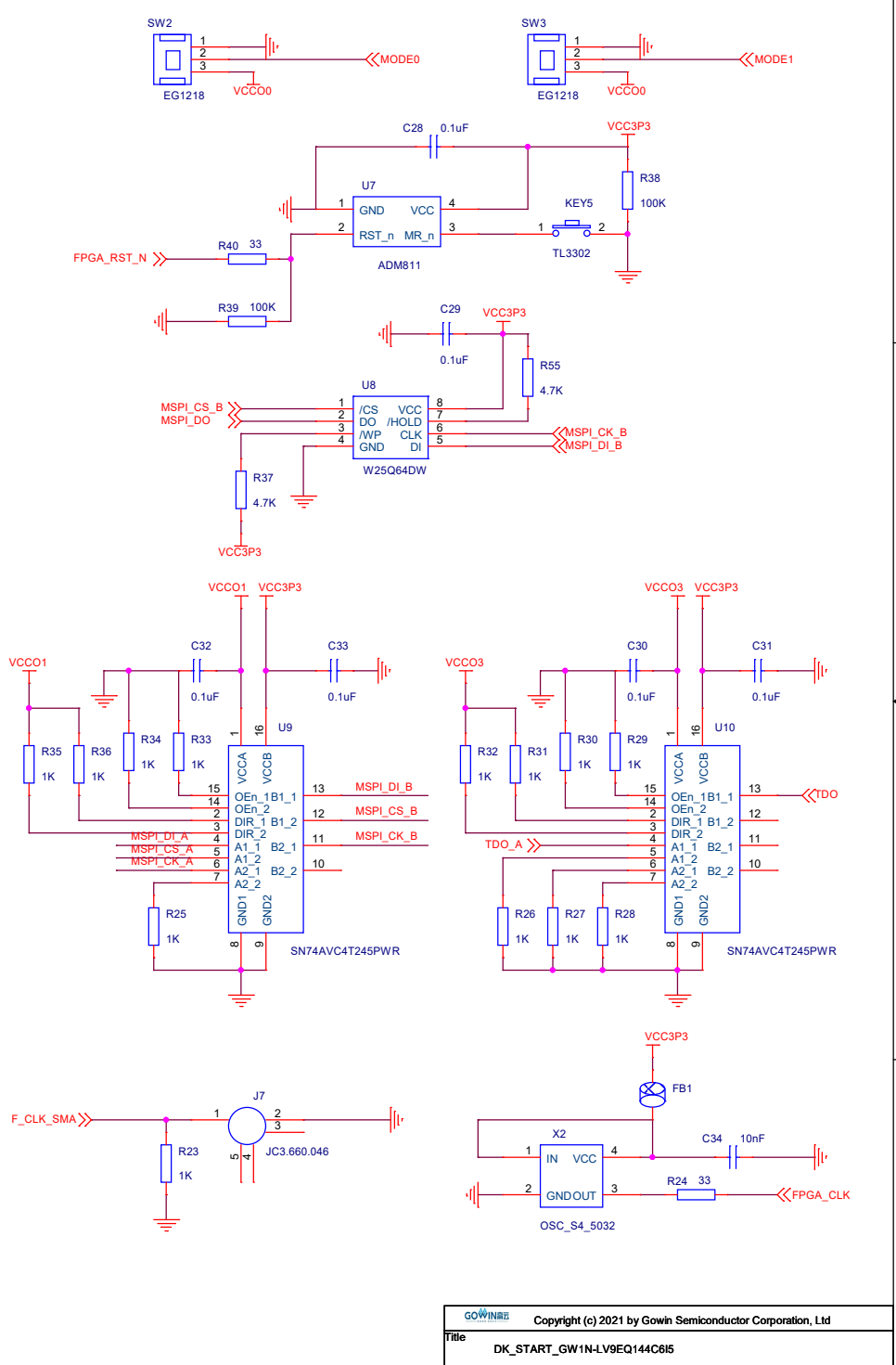
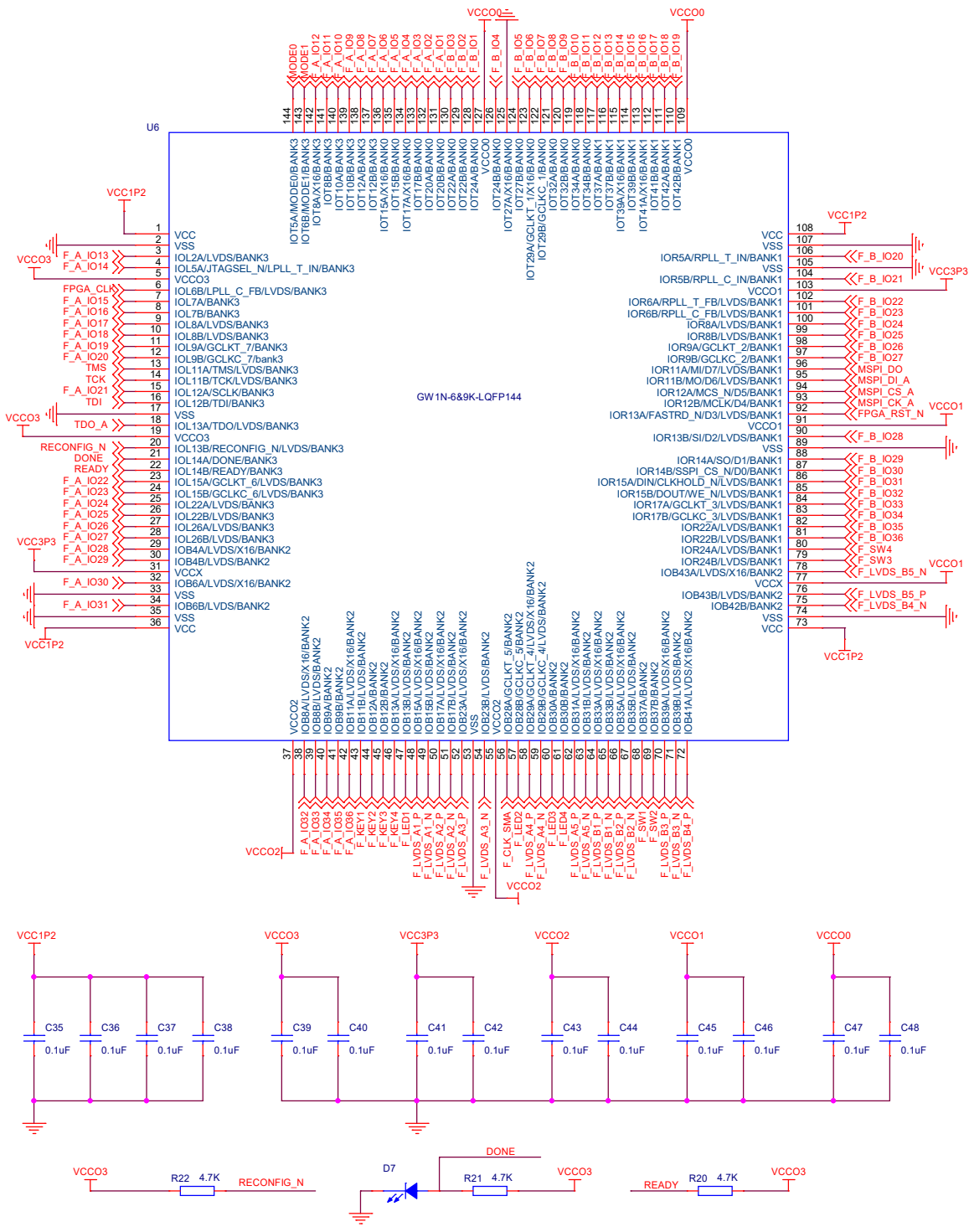


SCHEMATIC	CONTENT	PAGE
TOP	COVER PAGE, PLACEMENT	1-2
FPGA	LQFP144, MSPI, OSC, MODE, RST, SMA_CLKIN	3
GPIO	GPIO, LVDS, Switch	4
Power&Download	POWER 1.2V, 2.5V, 3.3V USB Download, KEY, LED	5





GOWIN			Copyright (c) 2021 by Gowin Semiconductor Corporation, Ltd		
Title					
DK_START_GW1N-LV9EQ144C8I5					
Size					
A3 Document Number					
FPGA, etc					
Date: Tuesday, May 9, 2017					
Sheet				3 of 5	

