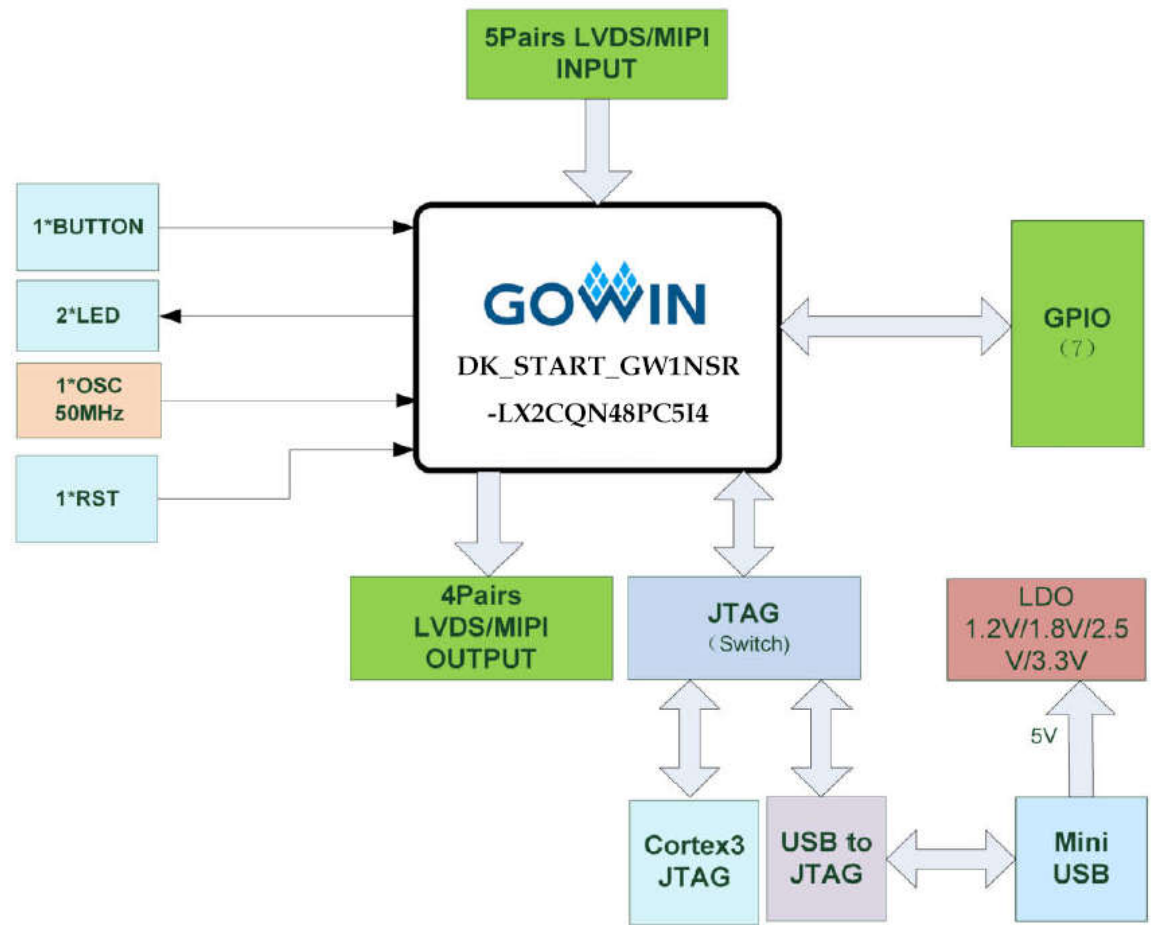
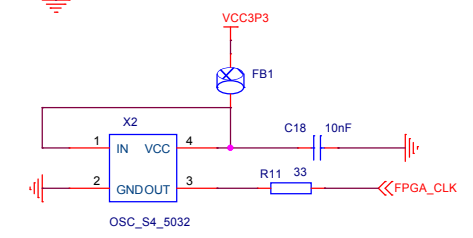
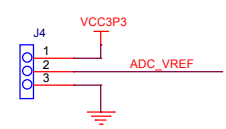
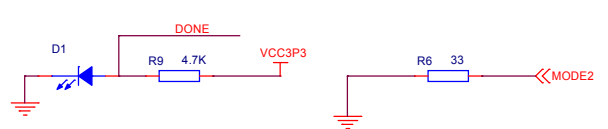
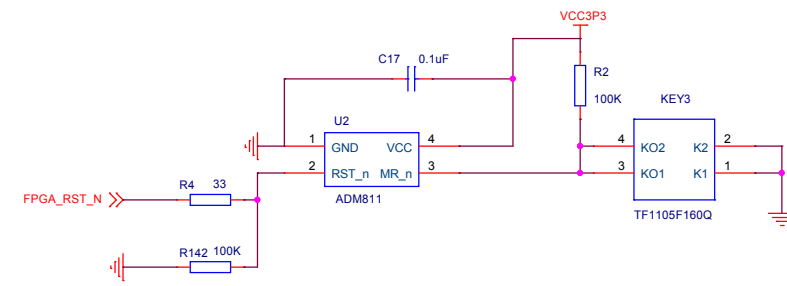
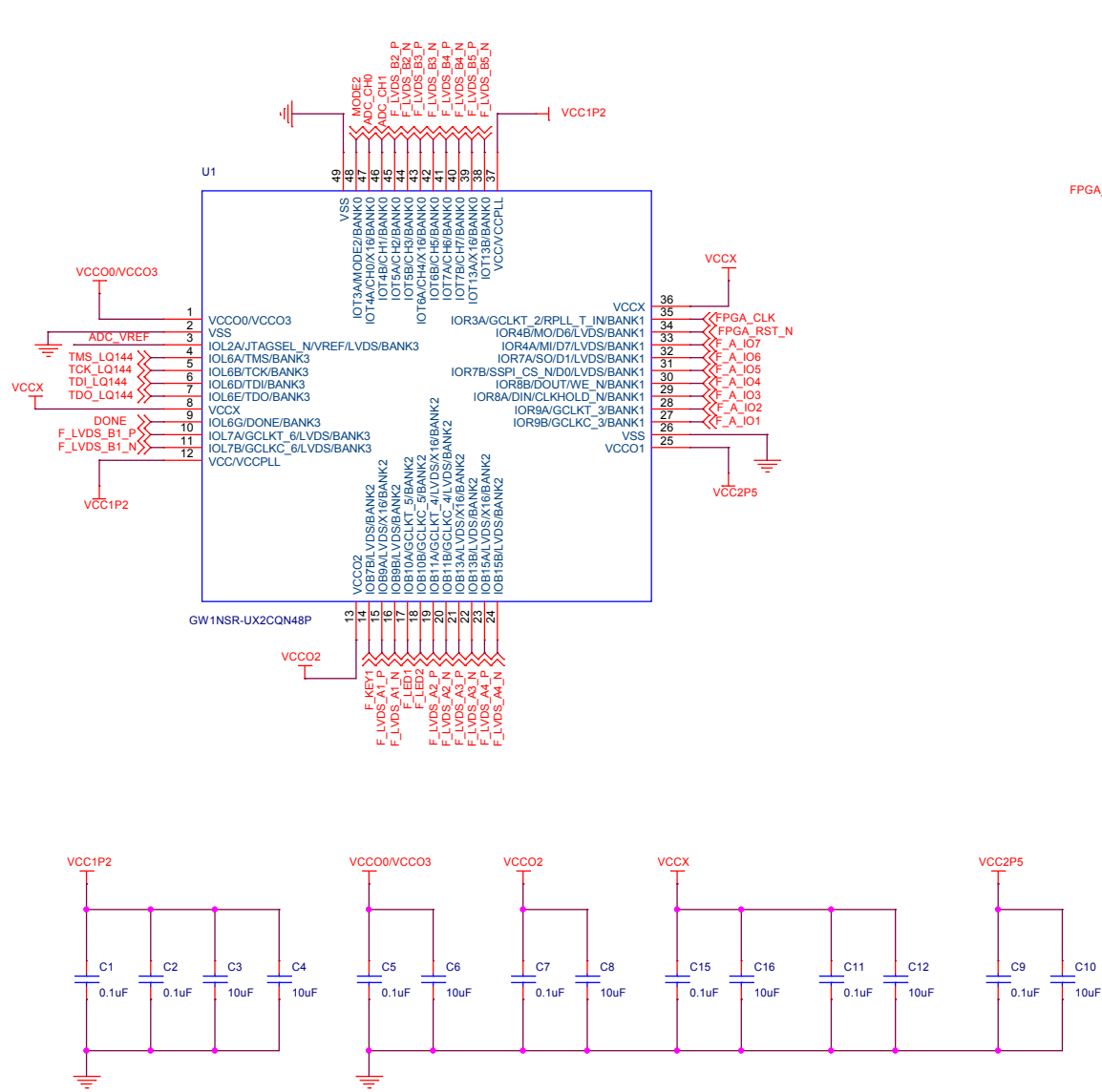


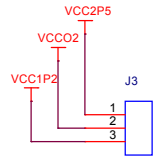
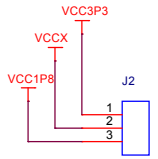
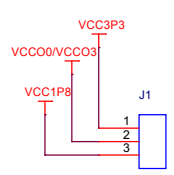
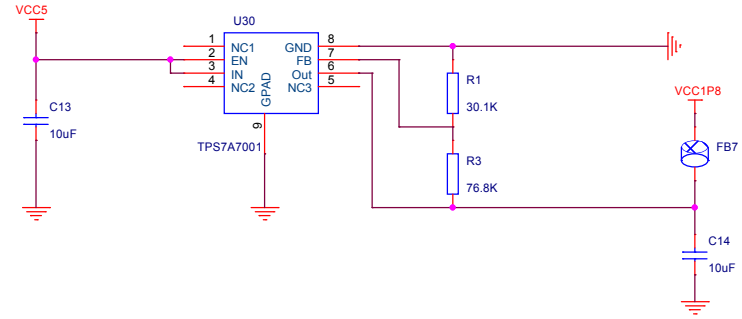
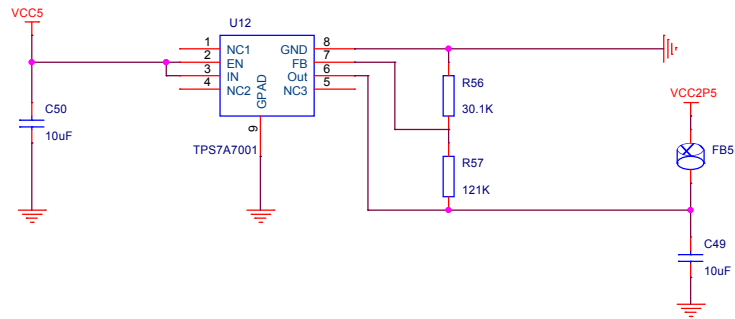
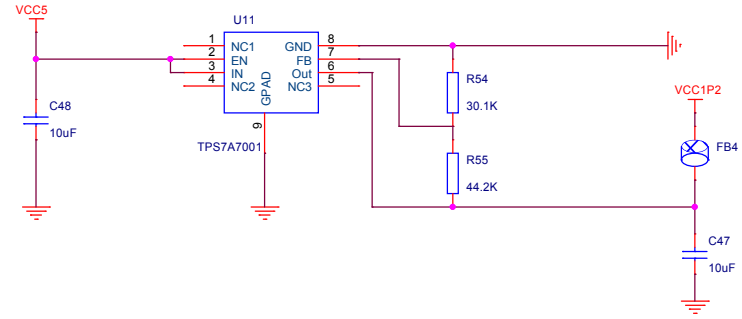
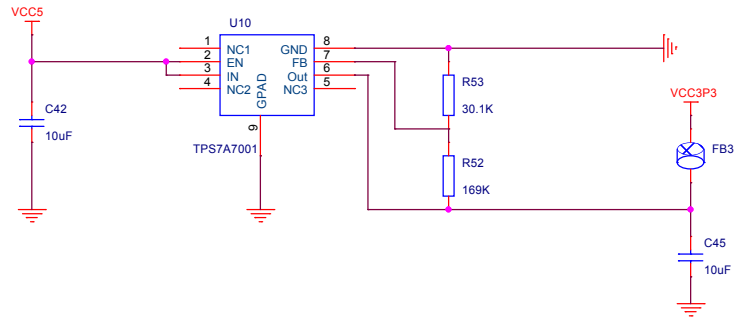
SCHEMATIC	CONTENT	PAGE
TOP	COVER PAGE, PLACEMENT	1-2
FPGA	FPGA	3
POWER	DC5V to 3.3V, 2.5V, 1.8V, 1.2V	4
Download	FPGA Download, ARM Download	5
INOUT	GPIO, LED, KEY, LVDS/MIPI	6



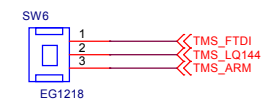
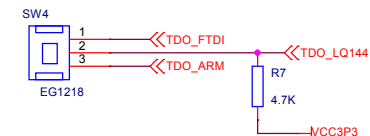
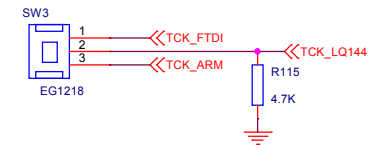
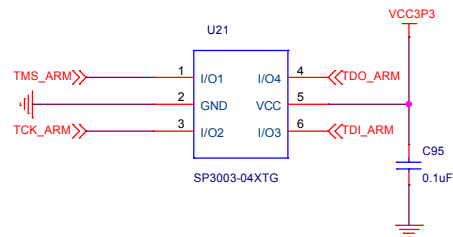
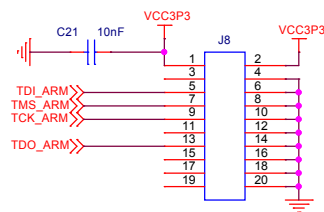
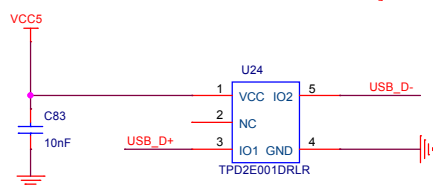
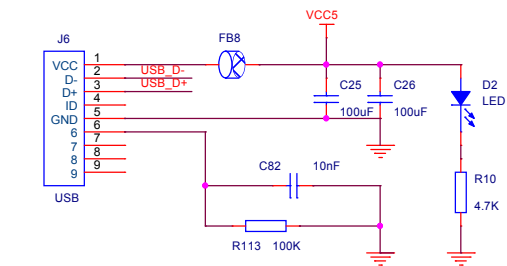
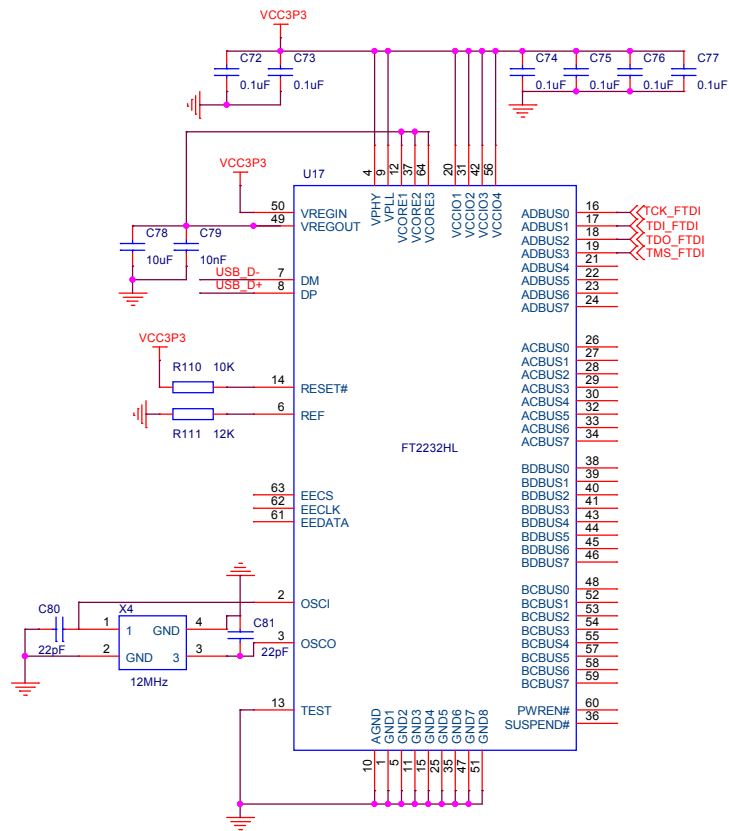
Title		
DK_START_GW1NSR-LX2CQN48PC5I4		
Size	Document Number	Rev
A3	PLACEMENT	V2.1
Date:	Monday, August 23, 2021	Sheet 2 of 6

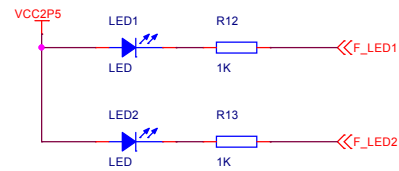
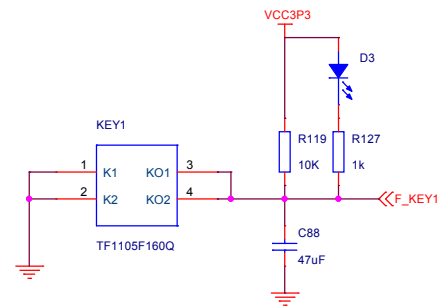
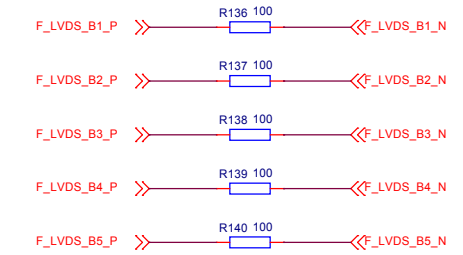
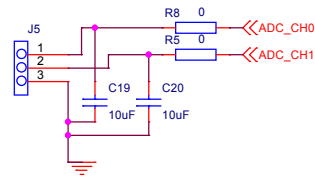
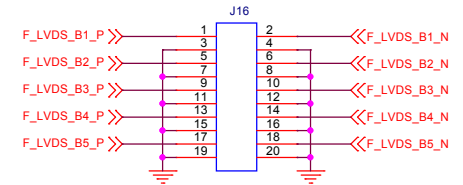
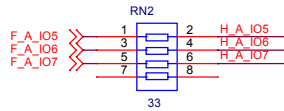
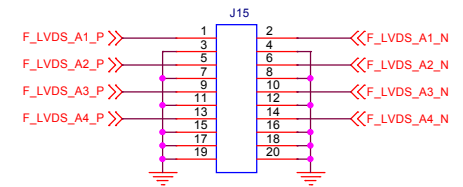
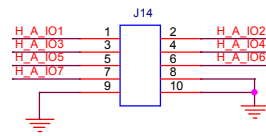
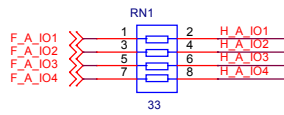


Title		
DK_START_GW1NSR-LX2CQN48PC54		
Size	Document Number	Rev
A3	FPGA	V2.1
Date:	Monday, August 23, 2021	Sheet 3 of 6



Title		
DK_START_GW1NSR-LX2CQN48PCS14		
Size	Document Number	Rev
A3	5V to 3.3V, 2.5V, 1.8V, 1.2V	V2.1
Date:	Monday, August 23, 2021	Sheet 4 of 6





Title		
DK_START_GW1NSR-LX2CQN48PCS4		
Size	Document Number	Rev
A3	GPIO_LED_KEY_LVDS/MIPI	V2.1
Date:	Monday, August 23, 2021	Sheet 6 of 6