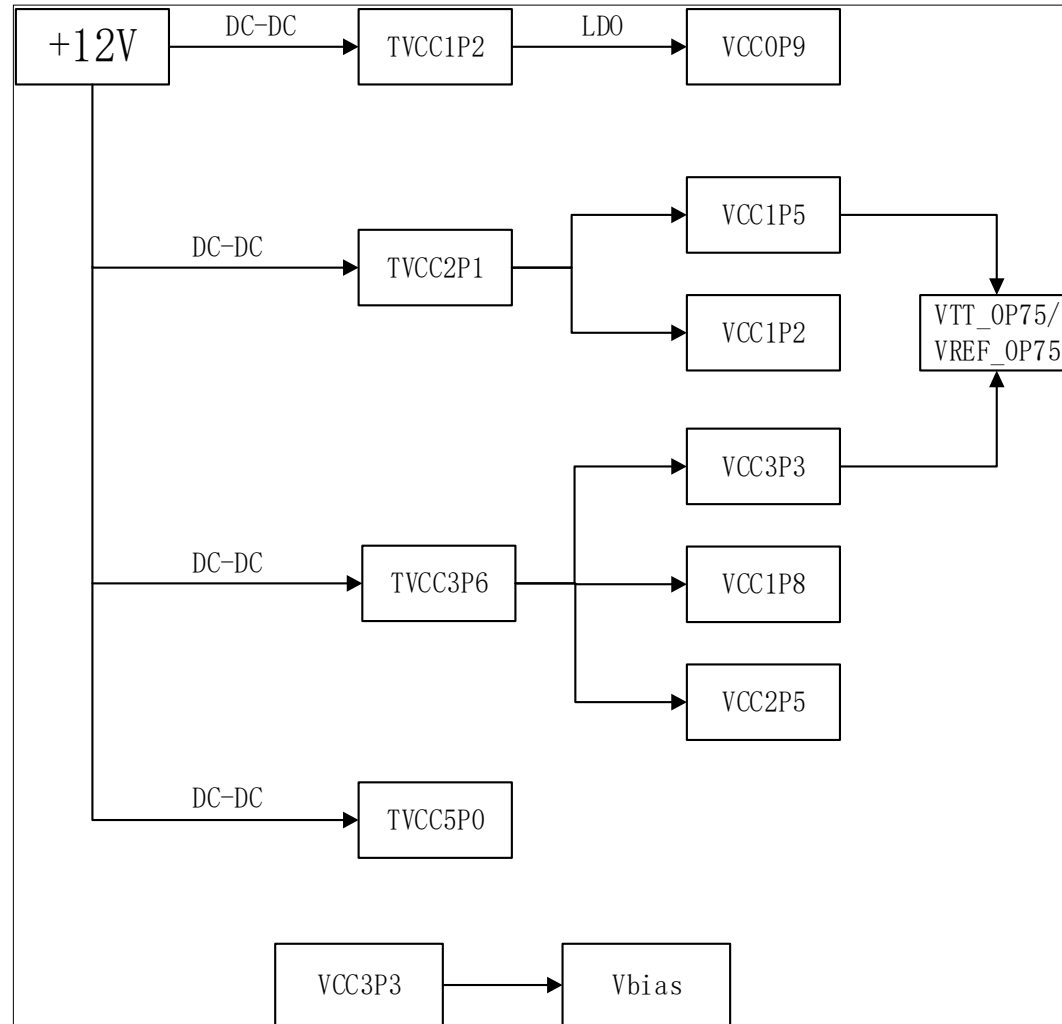


PAGE1	Block Diagram
PAGE2	POWER TREE
PAGE3	Bank01-DDR3-ADC
PAGE4	BANK3-GPIO_1P5-4KEY-4LED
PAGE5	BANK45-HDMI-U2.0-CLK-FLASH
PAGE6	BANK67MI-MIPI_R/T-LVDS_T/R
PAGE7	POWER-DCDC
PAGE8	POWER-LDO
PAGE9	BANK-POWER&JTAG

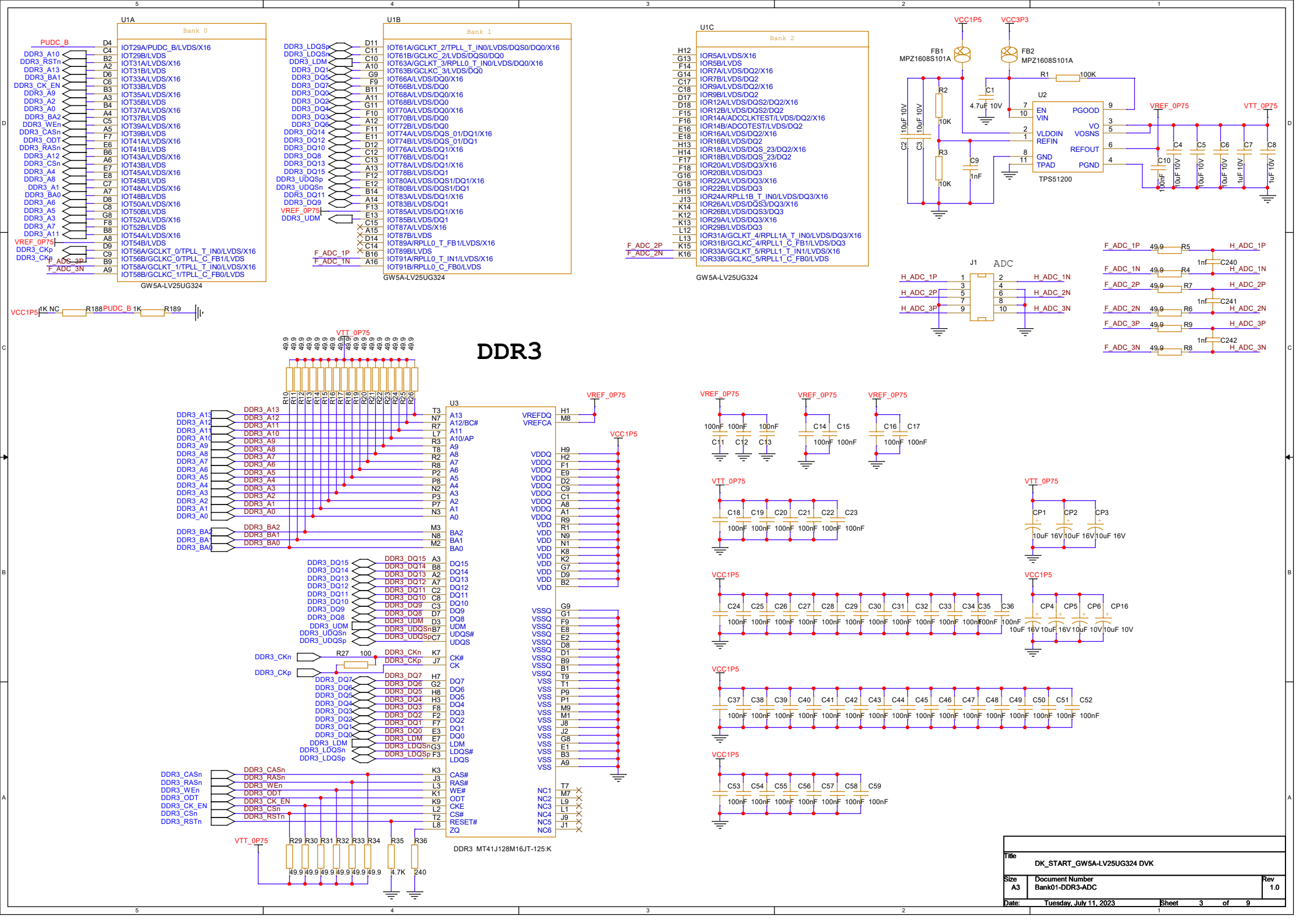
POWER TREE

第一级DC-DC电源转换芯片的最大输出电流是6A
第二级LDO电源转换芯片的最大输出电流是3A
实际转换电流的大小还应结合电源芯片的实际功率来看

12V (2A) 适配器



Title		
DK_START_GW5A-LV25UG324 DVK		
Size	Document Number	Rev
A3	POWER TREE	1.0
Date:	Sunday, June 25, 2023	Sheet 2 of 9

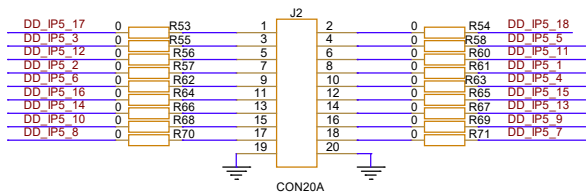


Title		
DK_START_GW5A-LV25UG324 DVK		
Size	Document Number	Rev
A3	Bank01-DDR3-ADC	1.0
Date:	Tuesday, July 11, 2023	Sheet 3 of 9

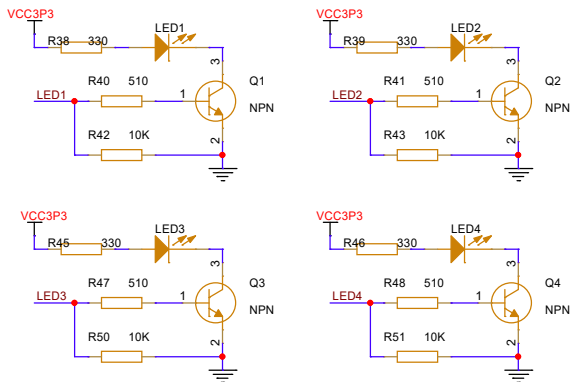
U1D		Bank 3	
DD IP5 15	P15	IOB65A/LVDS/X16	
DD IP5 6	P16	IOB65B/S_DOUT/LVDS	
DD IP5 17	L14	IOB67A/LVDS/X16	
DD IP5 18	M13	IOB67B/LVDS	
DD IP5 5	M14	IOB69A/LVDS/DQS/X16	
DD IP5 2	N14	IOB69B/LVDS/DQS	
DD IP5 8	U17	IOB71A/LVDS/DQS/X16	
DD IP5 7	U18	IOB71B/LVDS/DQS	
DD IP5 10	T17	IOB73A/LVDS/DQS/X16	
DD IP5 9	T18	IOB73B/LVDS/DQS	
DD IP5 3	N15	IOB75A/GCLKT_6B/LVDS/DQS5/DQ5/X16	
DD IP5 4	N16	IOB75B/GCLKT_6B/LVDS/DQS5/DQ5	
DD IP5 14	P17	IOB77A/LVDS/DQS/X16	
DD IP5 13	P18	IOB77B/LVDS/DQS	
DD IP5 1	N17	IOB79A/LVDS/DQS_45/DQ5/X16	
DD IP5 16	N18	IOB79B/LVDS/DQS_45/DQ5	
DD IP5 11	M16	IOB81A/LVDS/DQ4/X16	
DD IP5 12	M18	IOB81B/LVDS/DQ4	
LED3	L17	IOB83A/LVDS/DQ4/X16	
LED4	L18	IOB83B/LVDS/DQ4	
LED1	K17	IOB85A/LVDS/DQS4/DQ4/X16	
LED2	K18	IOB85B/LVDS/DQS4/DQ4	
KEY4	H17	IOB87A/LVDS/DQ4/X16	
KEY3	H18	IOB89A/GCLKT_7BPLL_T_IN0/LVDS/DQ4/X16	
KEY2	L15	IOB89B/GCLKT_7/LVDS/DQ4	
KEY1	L16	IOB91A/GCLKT_6A/LVDS/DQ4/X16	
		IOB91B/GCLKT_6A/LVDS/DQ4	

GW5A-LV25UG324

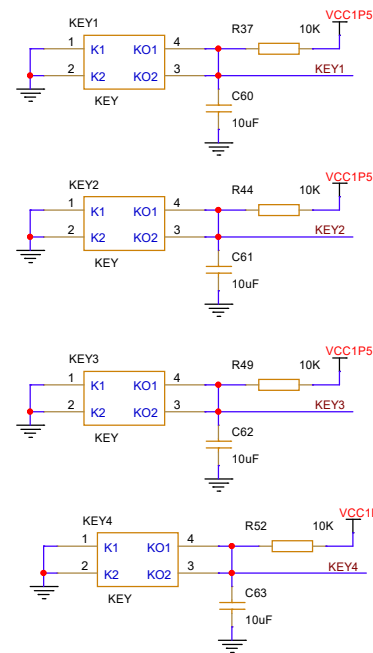
GPIO

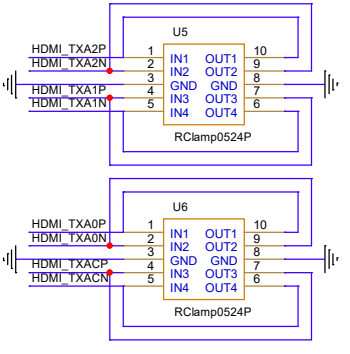
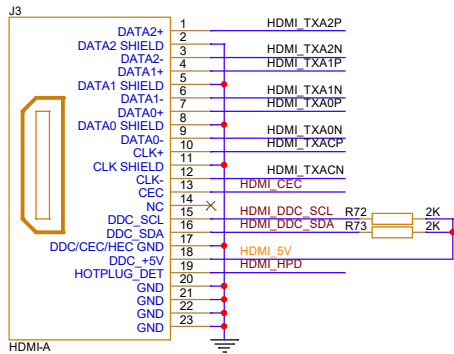


LED*4

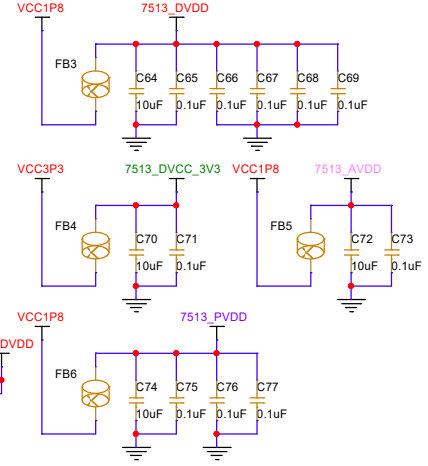
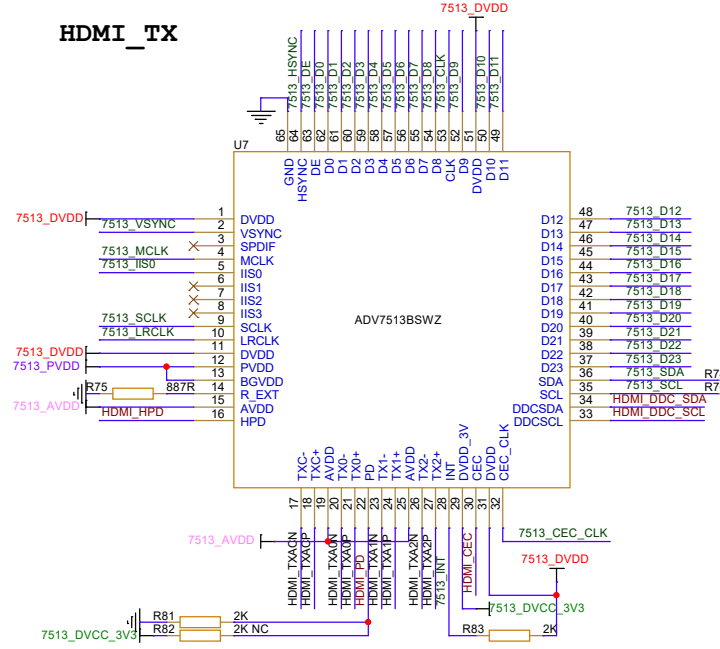


KEY*4

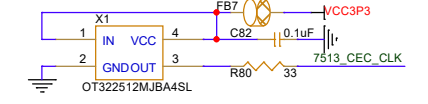




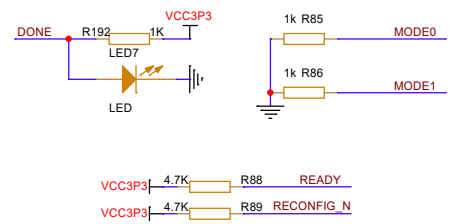
HDMI_TX



CLK 12MHZ 3.3V 4Pin



CONFIG



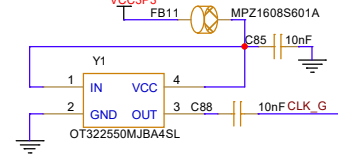
RECONFIG_N	V2	IOB1A/S_RECONFIGN
7513 D1	T4	IOB2A/LVDS/X16
7513 MCLK	N5	IOB4A/S_D08/SDA/LPLL1_T_FB0/LVDS/X16
7513 VSYNC	P6	IOB4B/D09/SCL/LVDS
7513 CLK	R7	IOB8A/LVDS/X16
7513 D9	T7	IOB8B/LVDS
7513 HSYNC	R3	IOB8A/S_D05/SSPI_SO/SSI1/LVDS/X16
7513 D0	T3	IOB8B/S_D06/LVDS
7513 D12	U5	IOB10A/S_D03/SSPI_CS/N/LVDS/X16
7513 D13	V5	IOB10B/S_D04/SSPI_SI/SSI0/LVDS
7513 DE	R5	IOB12A/GCLKT_10B/S_D07/SSPI_WPN/SSI2/LVDS/X16
7513 D2	T5	IOB12B/GCLKC_10B/S_RDWR_B/LPLL1_C_IN1/LVDS
7513 IIS0	N6	IOB14A/SSPI_CLK/LVDS/X16
7513 D8	P7	IOB14B/SSPI_HOLDN/SSI3/LVDS
7513 D3	T6	IOB16A/LVDS/X16
7513 D7	P8	IOB16B/LVDS
7513 D15	U7	IOB18B/LVDS
7513 D16	V7	IOB20A/LVDS/X16
7513 D17	U8	IOB20B/LVDS
7513 D18	V8	IOB22A/LVDS/X16
7513 LRCLK	M8	IOB22B/LVDS
7513 SCLK	N8	IOB24A/LVDS/X16
7513 D19	M10	IOB24B/LVDS
7513 D6	N9	IOB26A/GCLKT_12/LVDS/X16
		IOB26B/GCLKC_12/LVDS

GW5A-LV25UG324

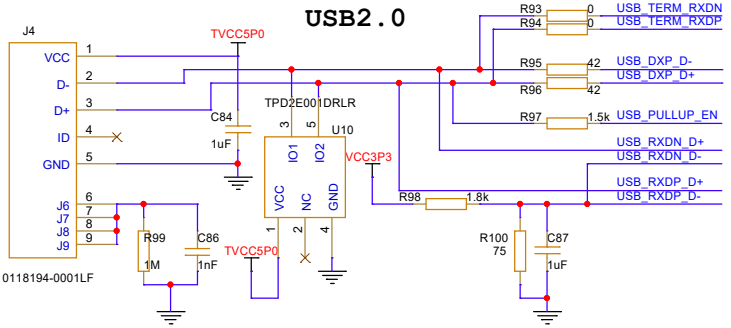
IOB29A/GCLKT_11A/LVDS/X16	T9	CLK_G
IOB29B/GCLKC_11A/LVDS	V9	
IOB31A/GCLKC_10A/D14/LVDS/X16	R8	
IOB31B/GCLKC_10A/S_D15/BPLL_C_FB0/LVDS	T8	
IOB33A/GCLKT_9D13/BPLL_T_IN1/LVDS/X16	U10	USB_DXP_D-
IOB33B/GCLKC_9S_EN/CCLK/LVDS	V10	USB_DXP_D+
IOB35A/GCLKT_8/LVDS/X16	R10	USB_RXDN_D+
IOB35B/GCLKC_8/LVDS	T10	USB_RXDN_D-
IOB37A/S_READY/LVDS/X16	U3	READY
IOB37B/S_MCSN/S_CSO_B/LVDS	V3	FLASH_SPI_CS_N
IOB39A/LVDS/X16	U11	USB_RXDP_D+
IOB39B/LVDS	V11	USB_RXDP_D-
IOB41A/LVDS/X16	N10	USB_TERM_RXDN
IOB41B/LVDS	P11	USB_TERM_RXDP
IOB43A/LVDS/X16	T12	USB_PULLUP_EN
IOB43B/LVDS	V12	7513 D20
IOB45A/LVDS/X16	R11	7513 D10
IOB45B/LVDS	T11	7513 D11
IOB48A/LVDS/X16	M11	7513 D4
IOB48B/LVDS	N11	7513 D5
IOB50A/D11/LVDS/X16	U13	7513 SDA
IOB50B/D12/LVDS	V13	7513 D21
IOB52A/S_MODE1/LVDS/X16	N12	MODE1
IOB52B/S_D10/LVDS	P12	FLASH_SPI_WP_N
IOB54A/GCLKT_11B/S_D01/MSO2/LVDS/X16	T14	FLASH_SPI_HOLD_N
IOB54B/GCLKC_11B/S_D02/MSO3/BPLL_C_FB1/LVDS	V14	7513 INT
IOB56A/LVDS/X16	V15	7513 SCL
IOB56B/LVDS	R13	FLASH_SPI_MISO
IOB58A/D00/DIN/MISO/MISO1/LVDS/X16	T13	FLASH_SPI_MOSI
IOB58B/S_MOSI/S_MS00/S_CSI_B/LVDS	U16	7513 D23
IOB60A/LVDS/X16	V16	7513 D22
IOB60B/LVDS	R15	FLASH_SPI_CLK
IOB62A/CCLK/LVDS/X16	T15	MODE0
IOB62B/S_MODE0/LVDS	V17	DONE
IOB64A/S_DONE		

GW5A-LV25UG324

50M-CLK

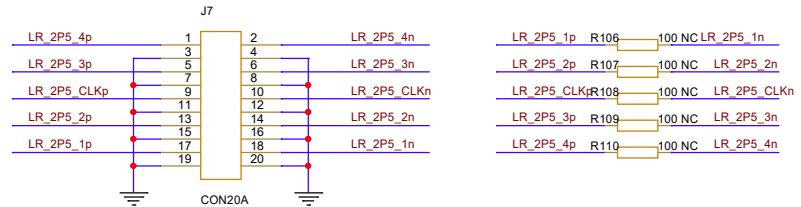
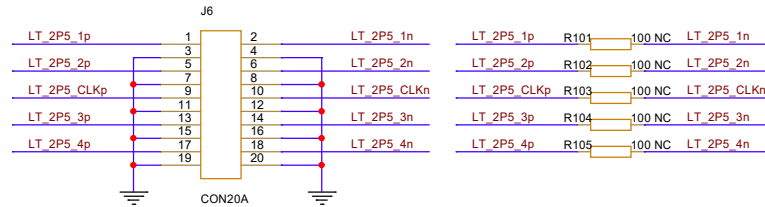
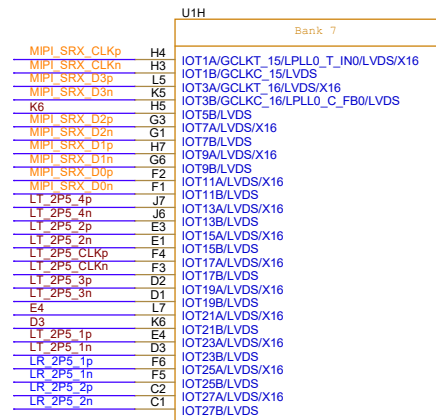
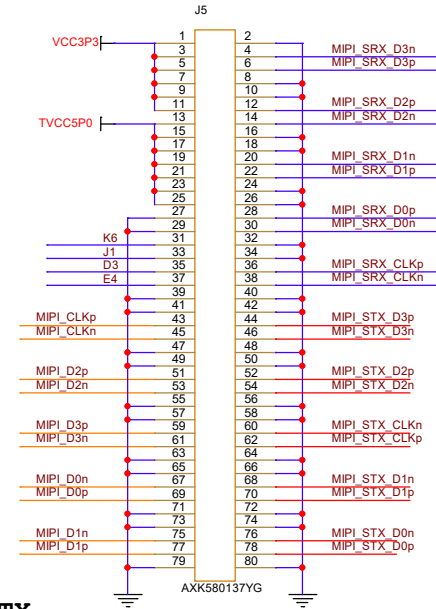
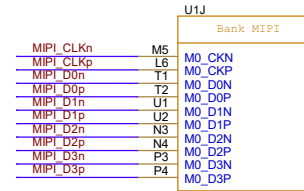
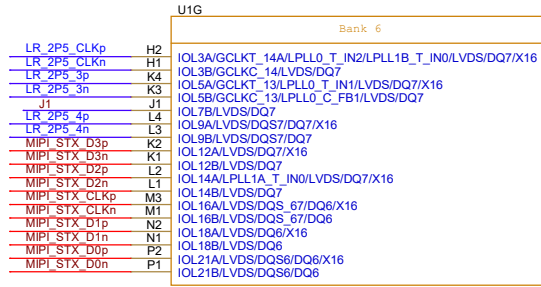


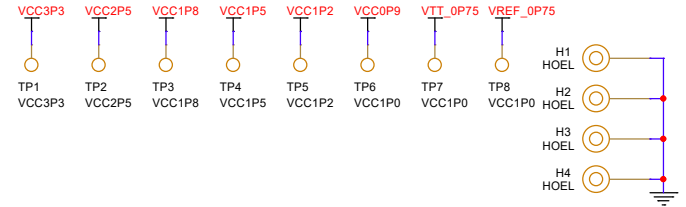
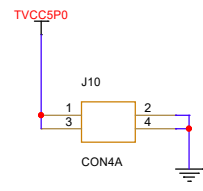
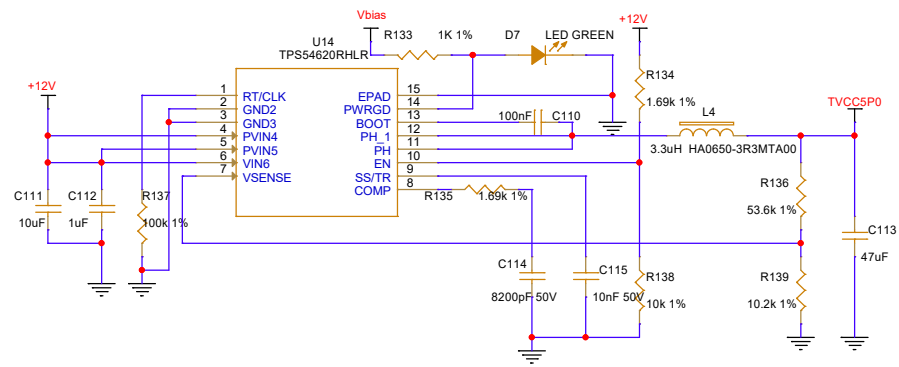
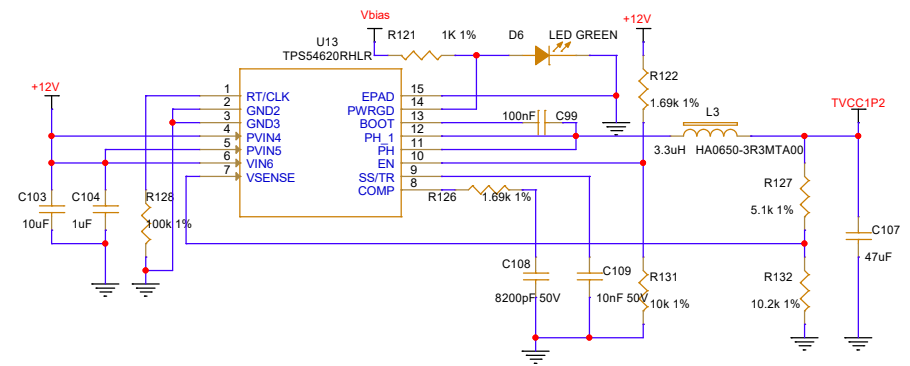
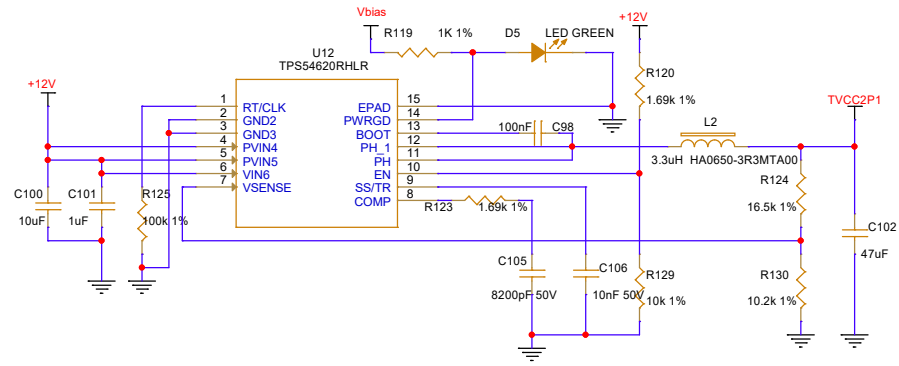
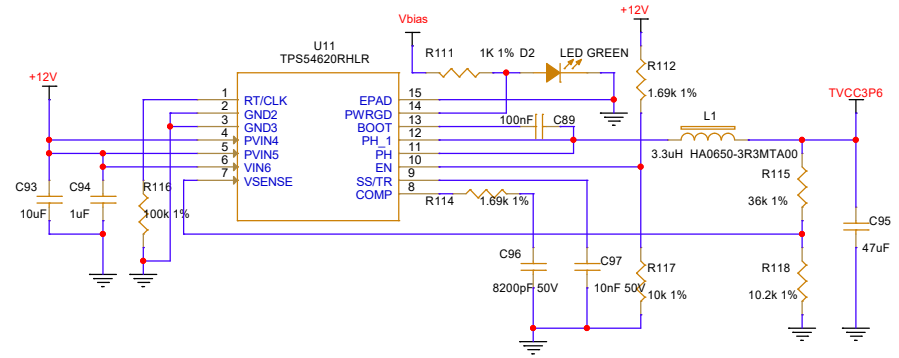
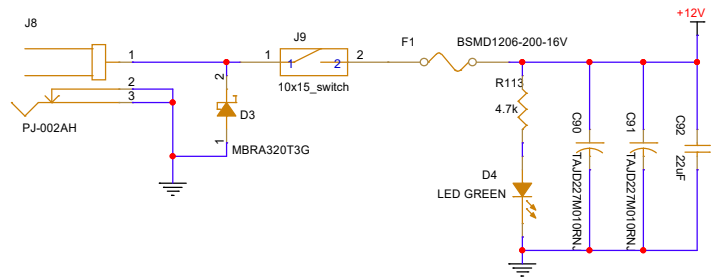
USB2.0



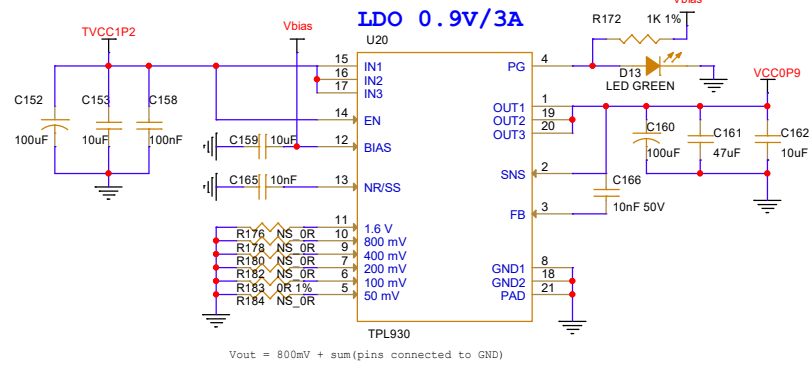
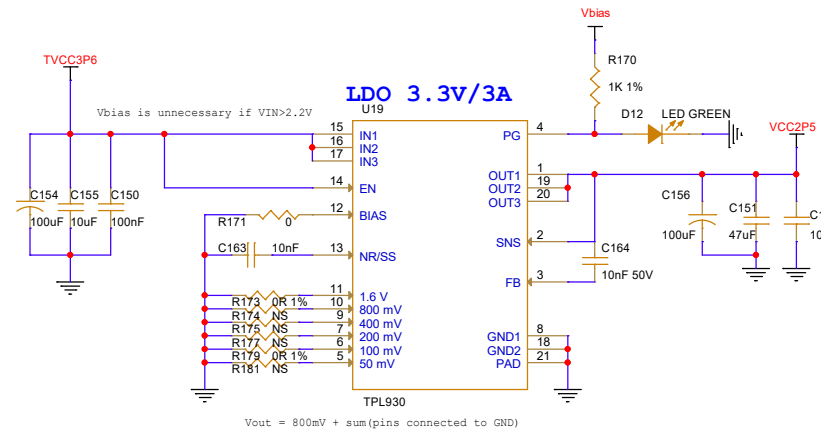
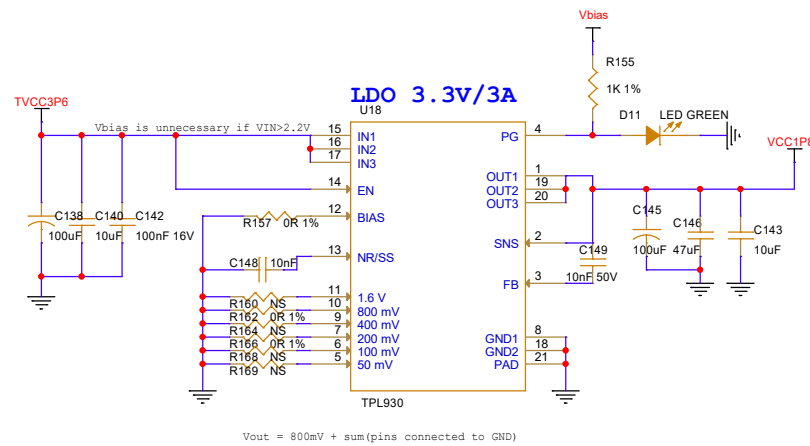
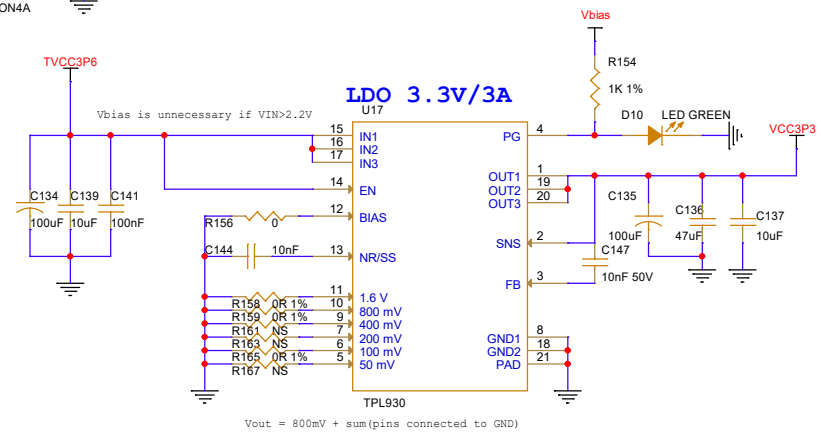
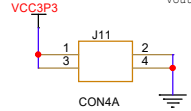
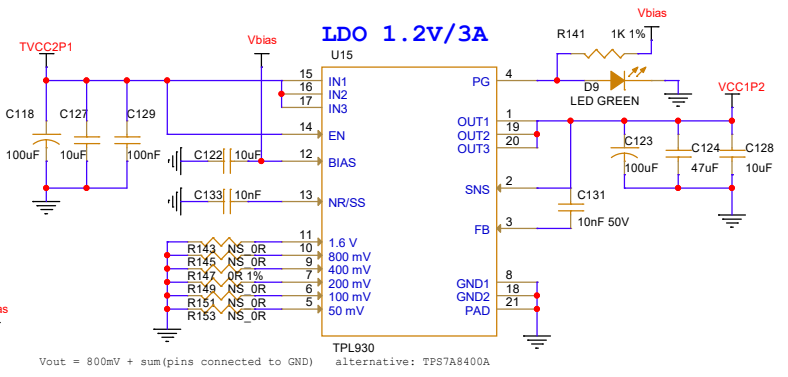
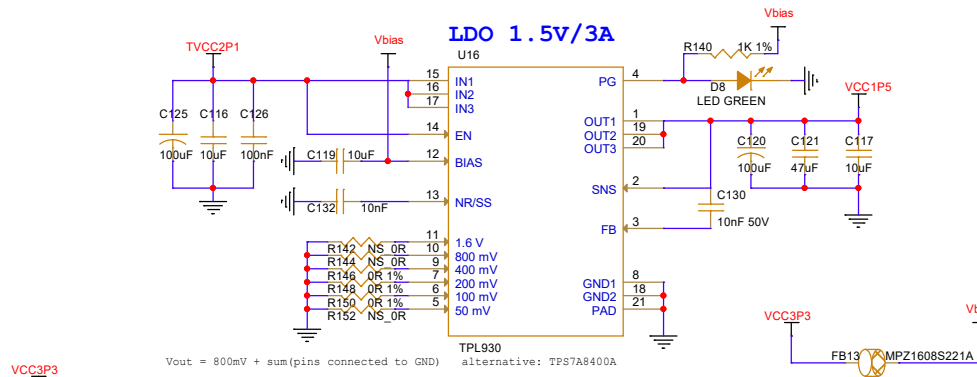
10118194-0001LF

MIPI-RX/TX





Title		
DK_START_GW5A-LV25UG324 DVK		
Size	Document Number	Rev
A3	POWER-DCDC	1.0
Date:	Tuesday, July 11, 2023	Sheet 7 of 9



Title		
DK_START_GW5A-LV25UG324 DVK		
Size	Document Number	Rev
A3	POWER-LDO	1.0
Date:	Tuesday, July 11, 2023	Sheet 8 of 9

