

5

4

3

2

1

D

D

C

C

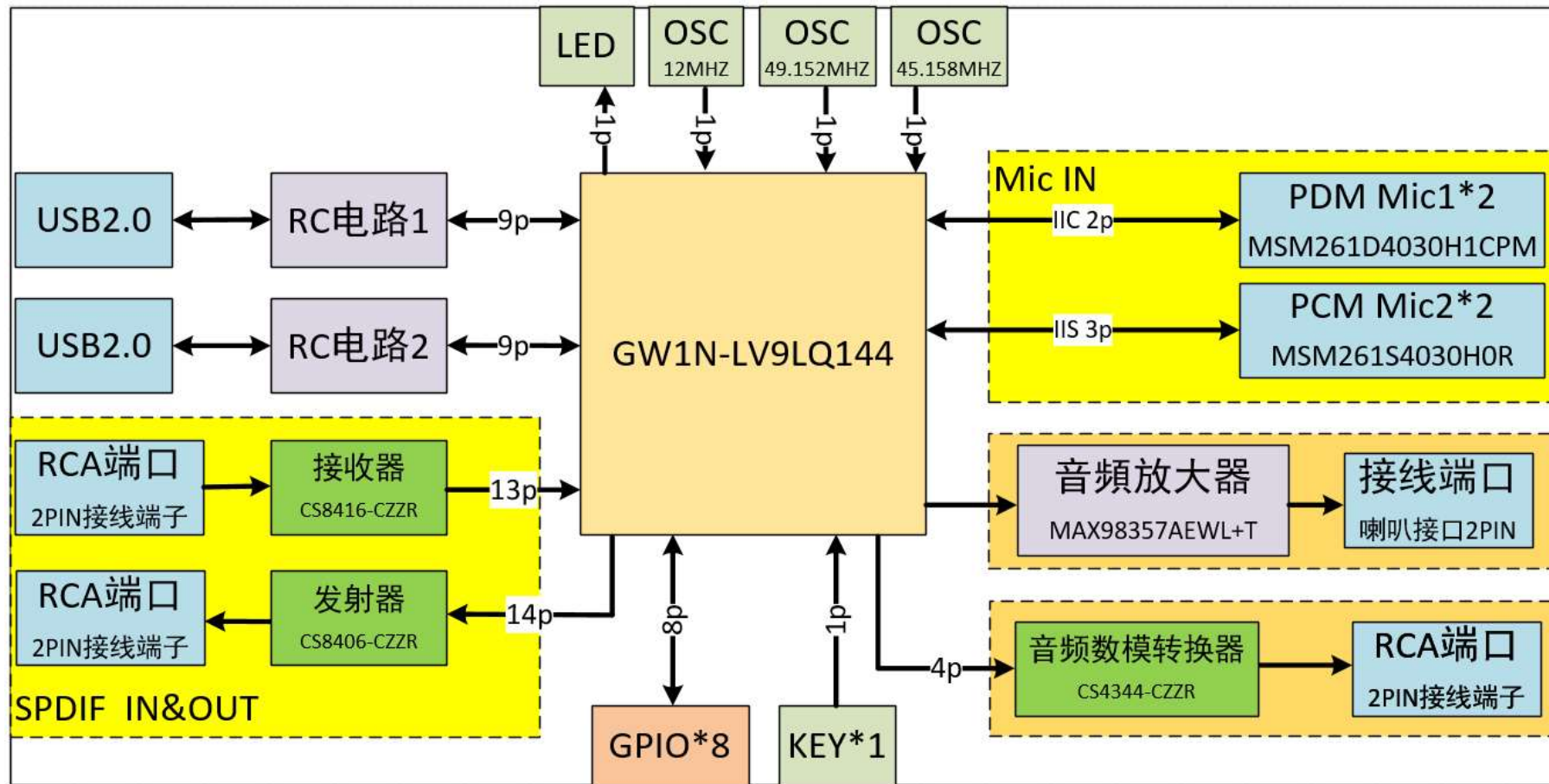
B

B

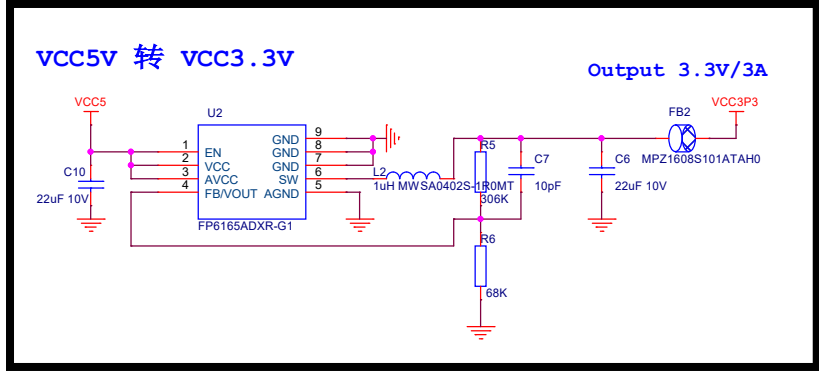
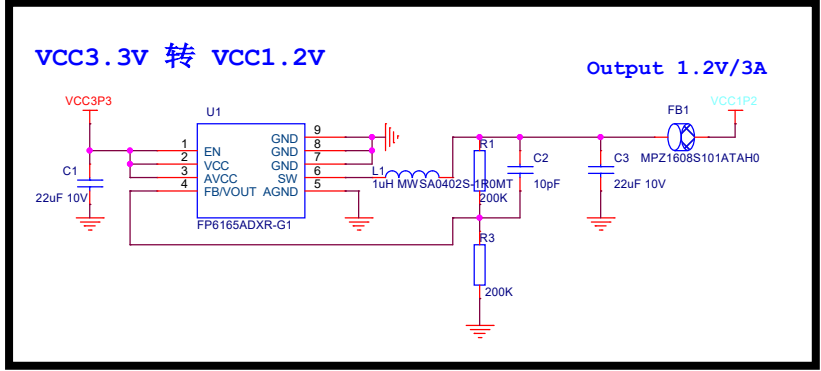
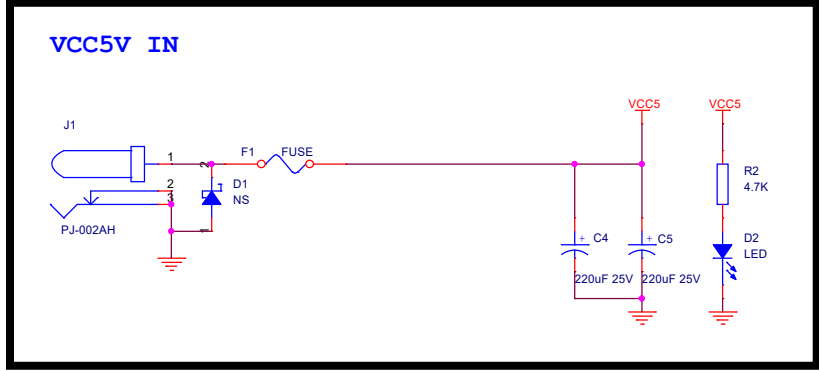
A

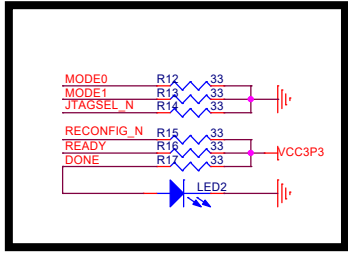
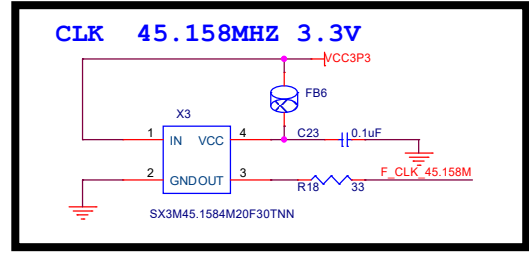
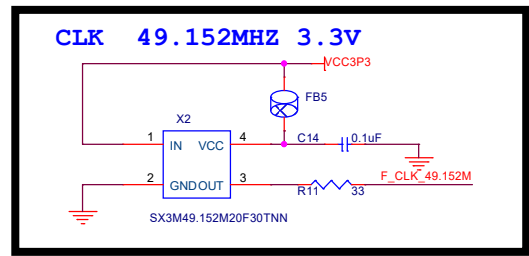
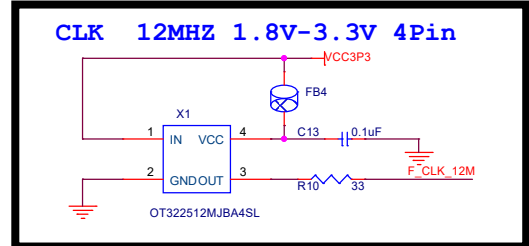
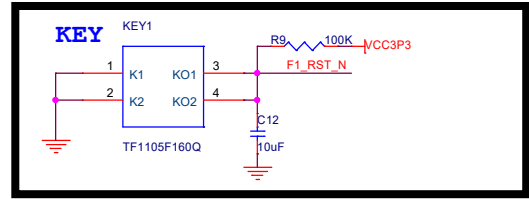
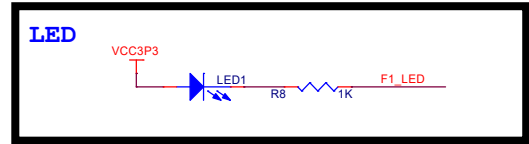
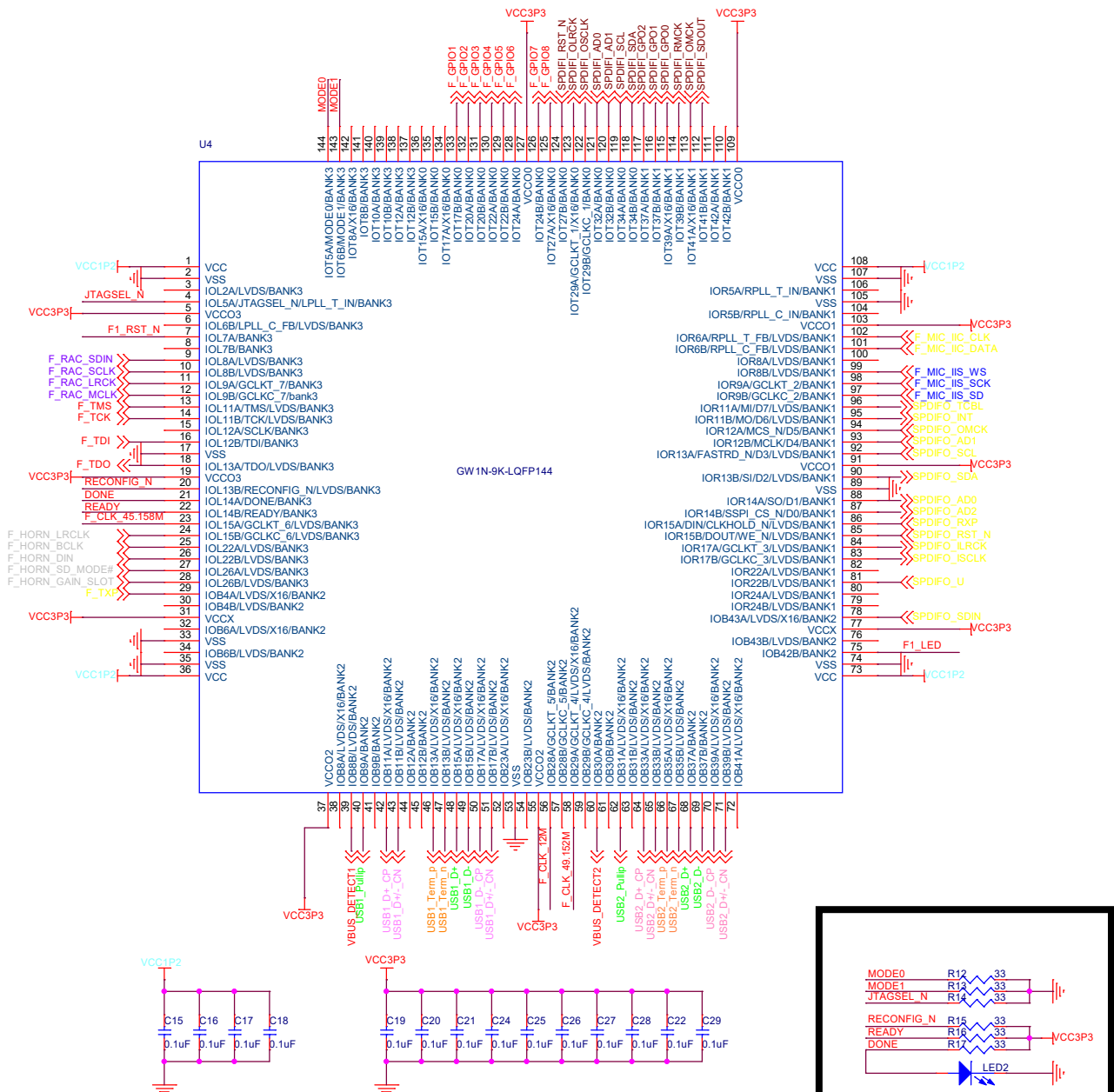
A

SCHEMATIC	CONTENT	PAGE
PAGE0	COVER PAGE	1
PAGE1	SYSTEM DIAGRAM	2
PAGE2	DC5V to 3.3V,2.5V,1.8V,1.2V,1.0V	3
PAGE3	GW1N-LV9CLQ144C7I6	4
PAGE4	Mic IN	5
PAGE5	USB2.0	6
PAGE6	SPDIF	7
PAGE7	RAC ,Horn	8
PAGE8	JTAG ,GPIO	9



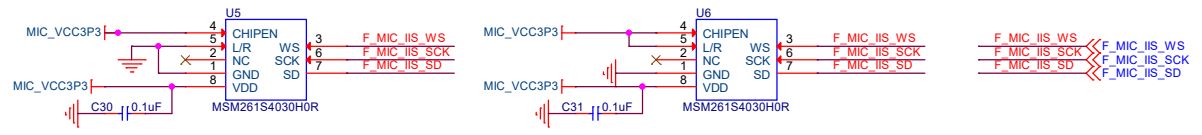
POWER DC5V to 3.3V, 1.2V



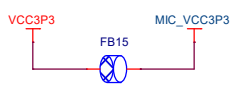
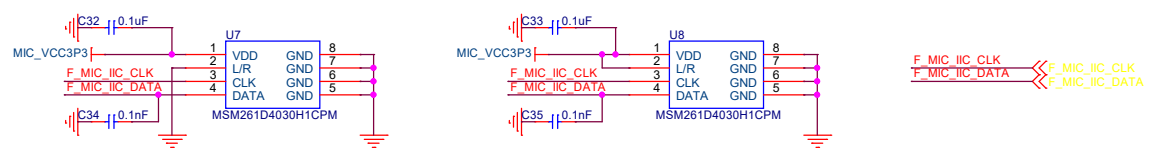


File		
DK_UAC2_GW1N-LV9LQ144C716		
Size	Document Number	Rev
A3	GW1N-LV9LQ144	V2.0
Date:	Wednesday, November 09, 2022	Sheet 4 of 9

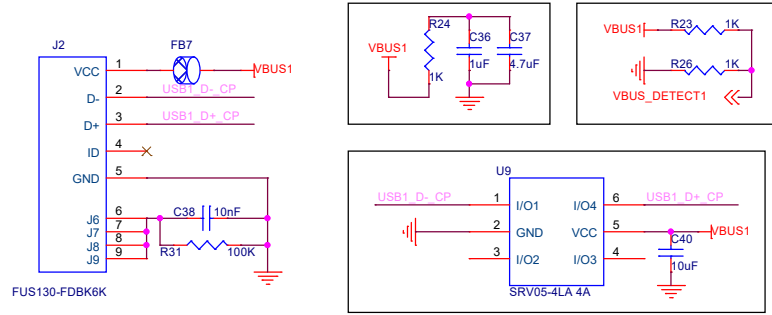
I2S Mic Array Input



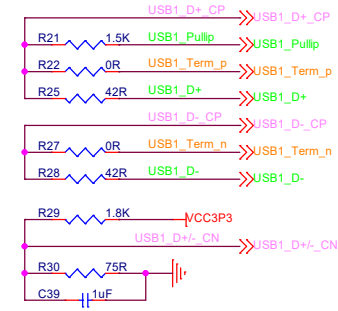
I2C Mic Array Input



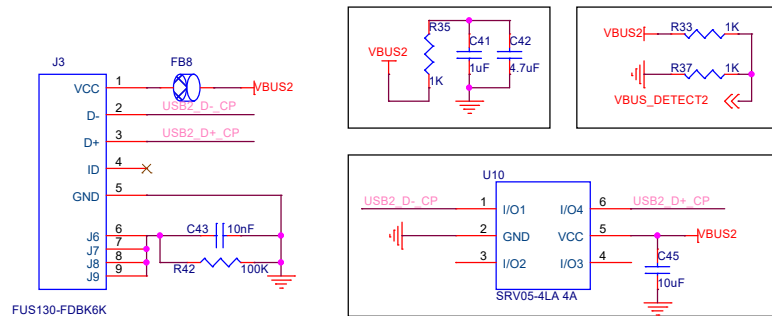
USB1



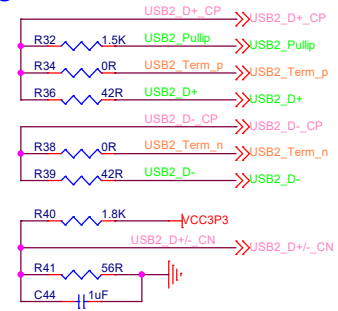
USB1-RC



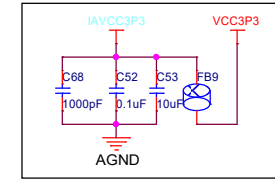
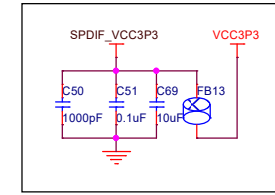
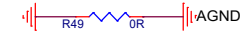
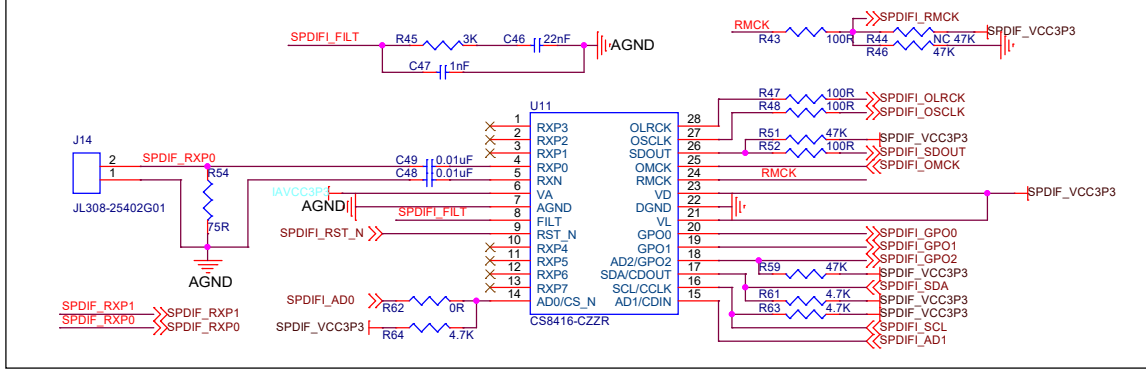
USB2



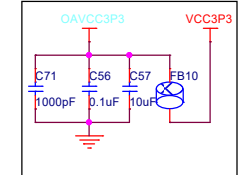
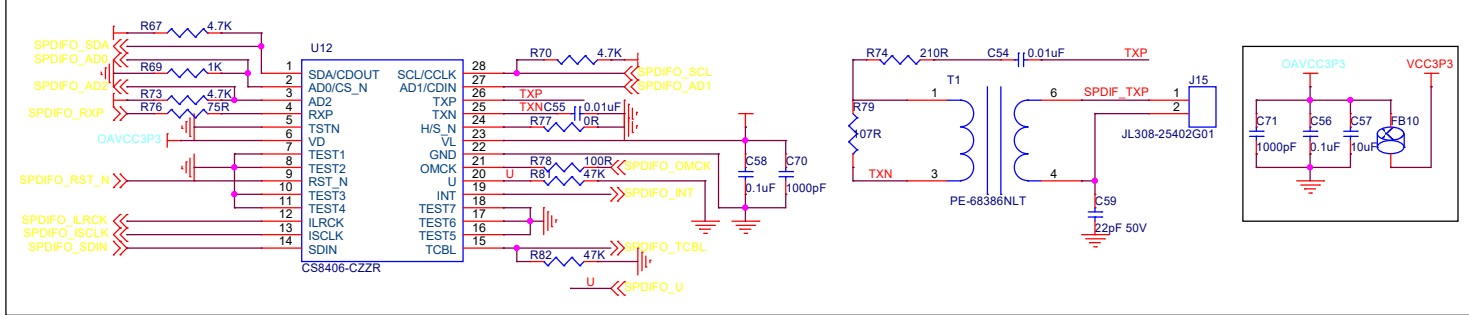
USB2-RC



SPDIF Input

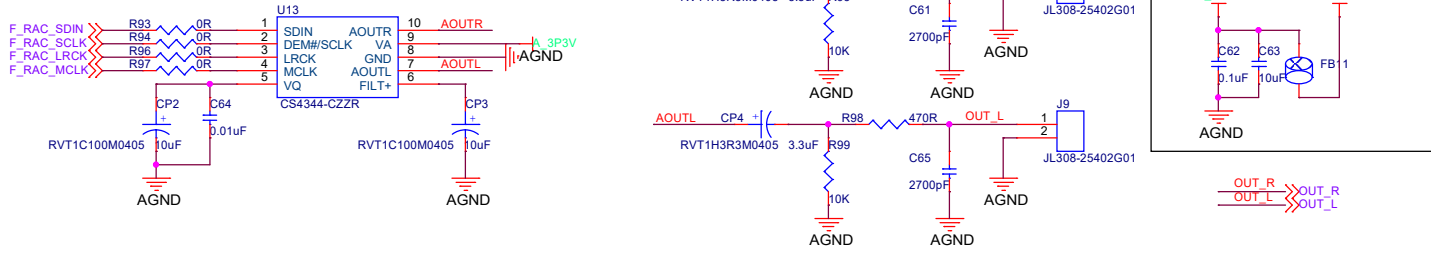


SPDIF Output

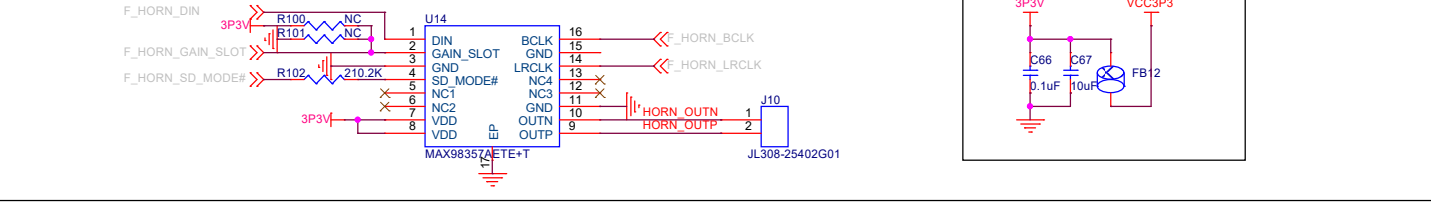


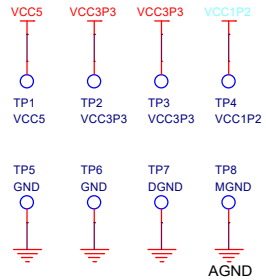
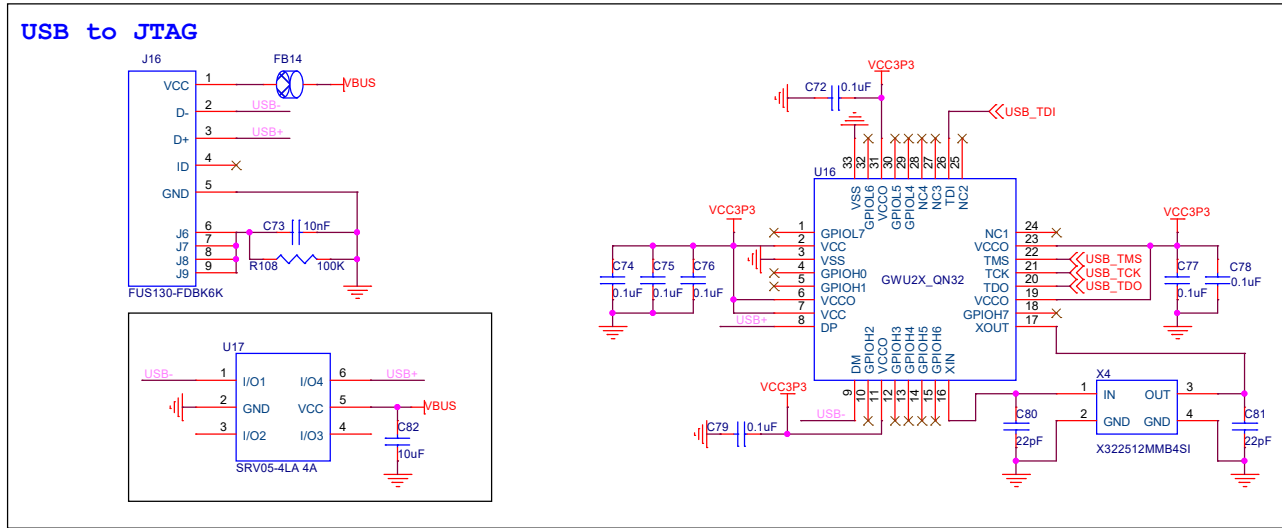
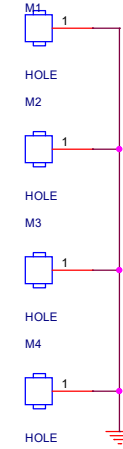
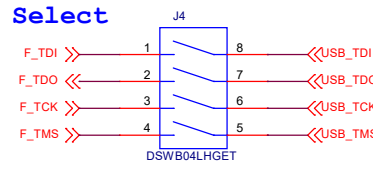
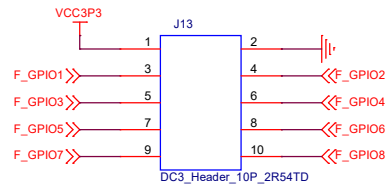
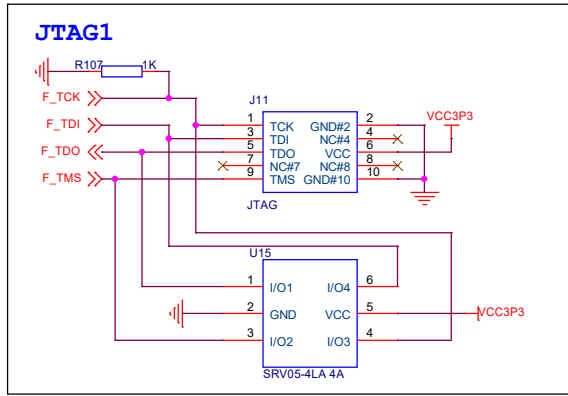
File		
DK_UAC2_GW1N-LV9LQ144C76		
Size	Document Number	Rev
A3	SPDIF IN,SPDIF OUT	V2.0
Date:	Thursday, November 10, 2022	Sheet 7 of 9

RAC Output



HORN Output





File		
DK_UAC2_GW1N-LV9LQ144C716		
Size	Document Number	Rev
A3	JTAG,GPIO	V2.0
Date:	Tuesday, November 08, 2022	Sheet 9 of 9