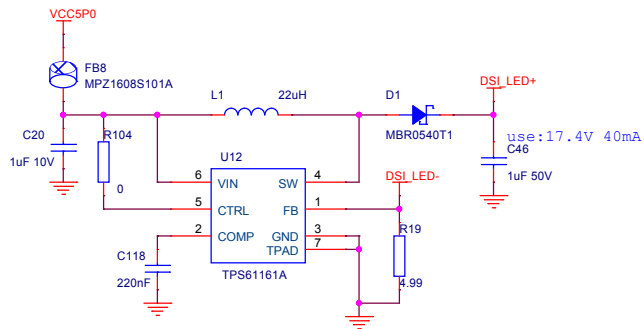
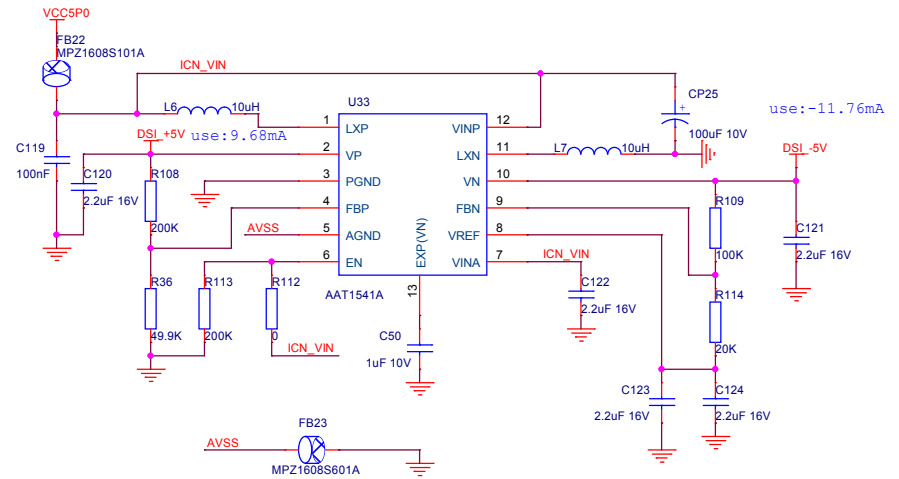
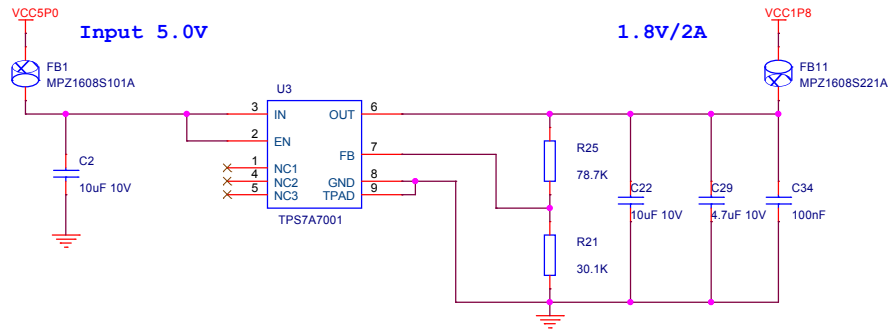
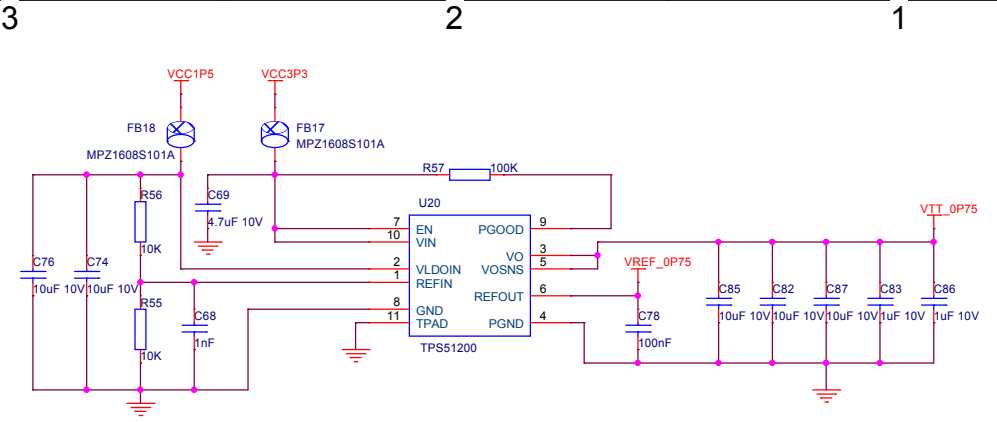
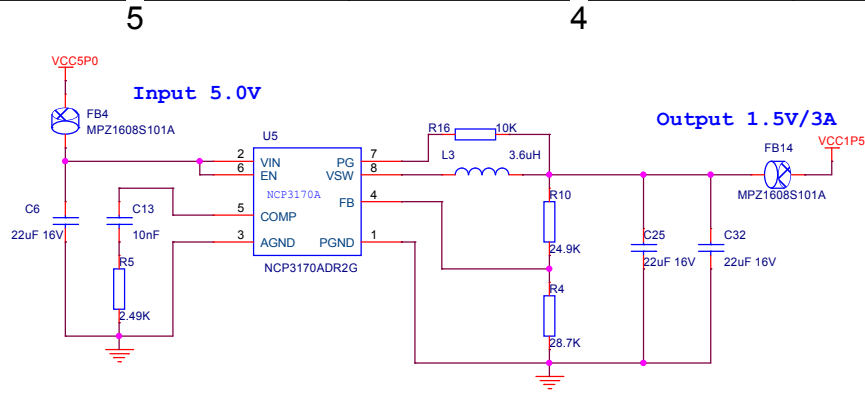
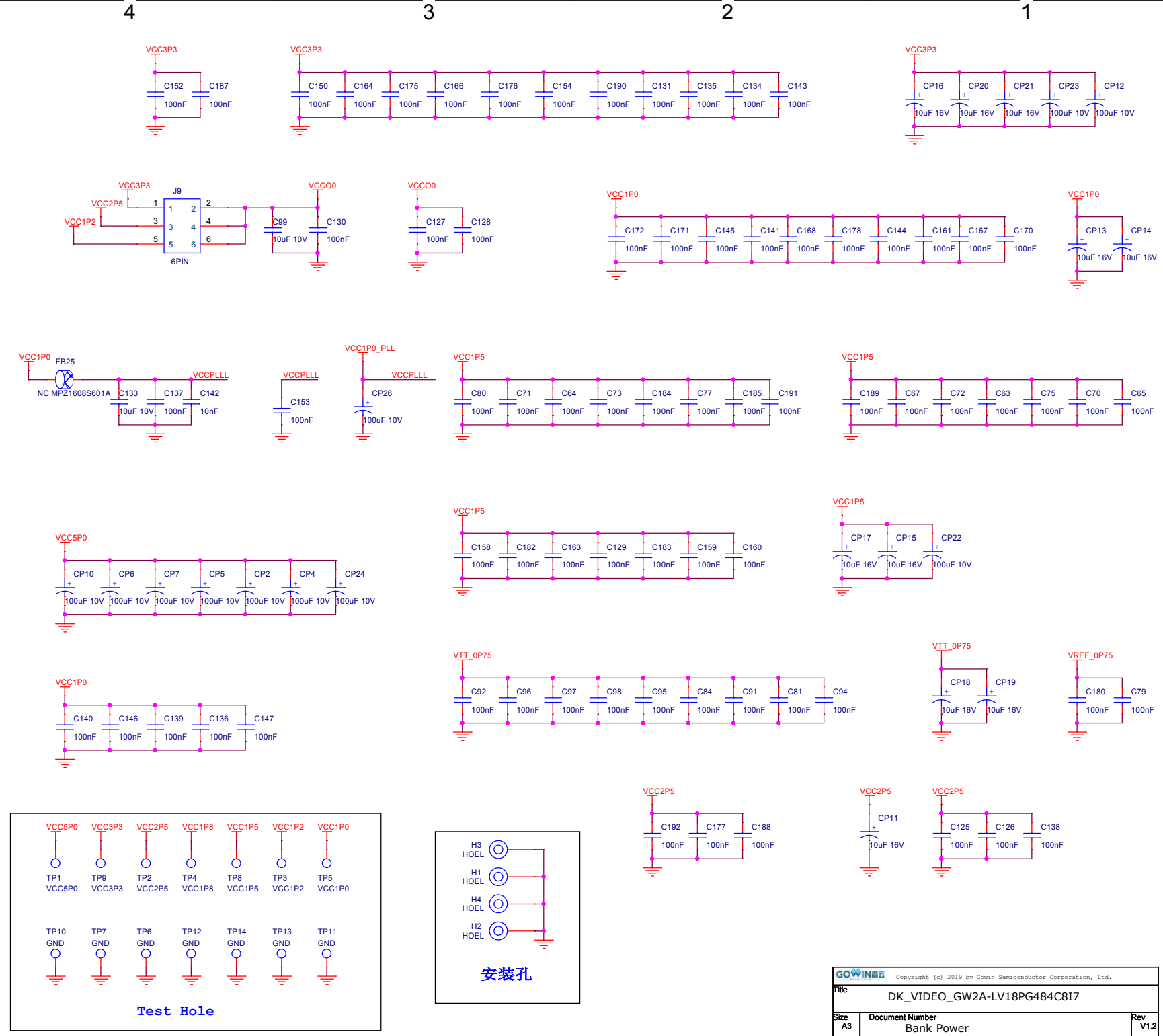
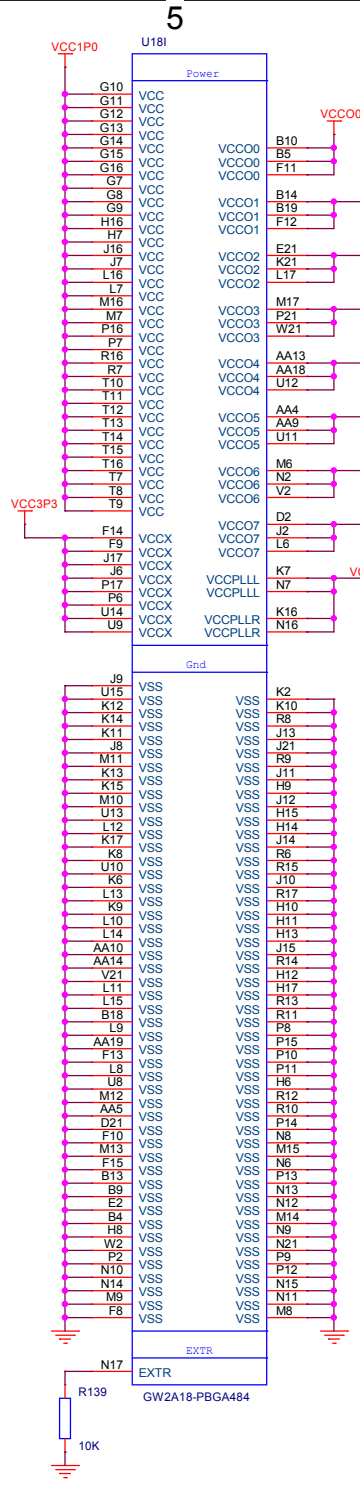
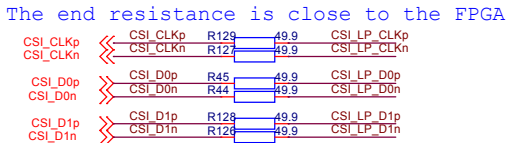
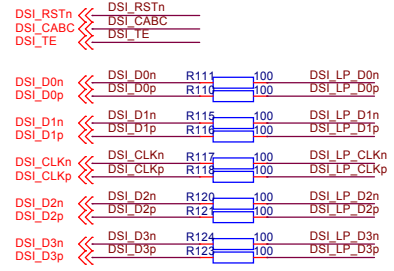
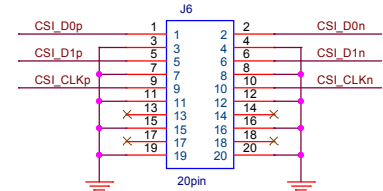
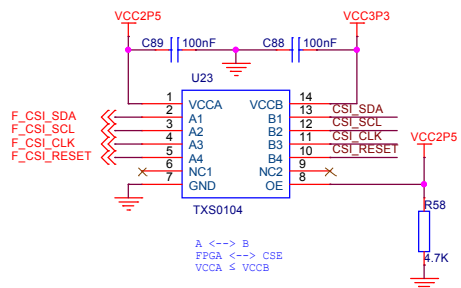
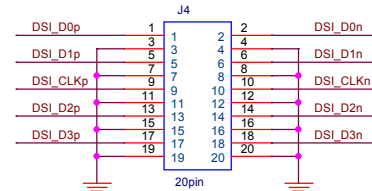
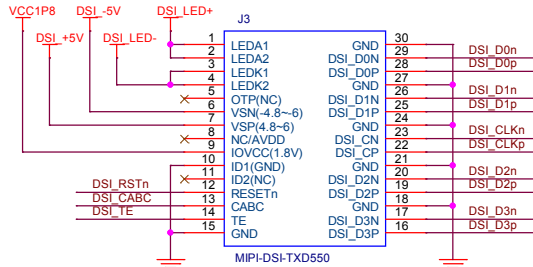
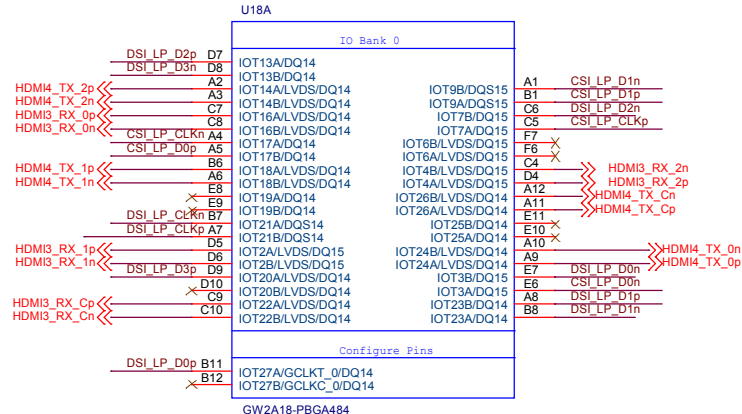
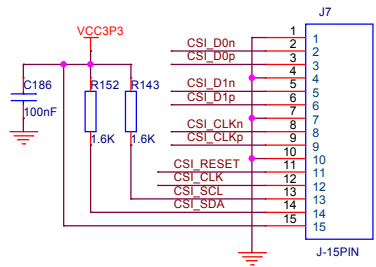


GOWINSE		
Copyright (c) 2019 by Gowin Semiconductor Corporation, Ltd.		
File DK_VIDEO_GW2A-LV18PG484C8I7		
Size A3	Document Number Power1	Rev V1.2
Date: Friday, September 10, 2021	Sheet 2	of 14

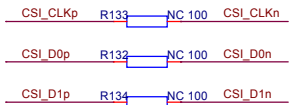




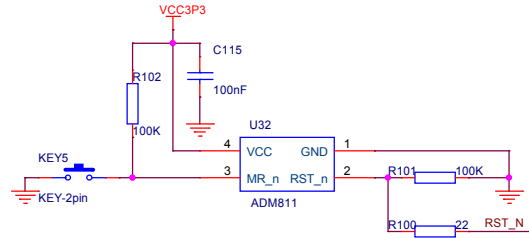
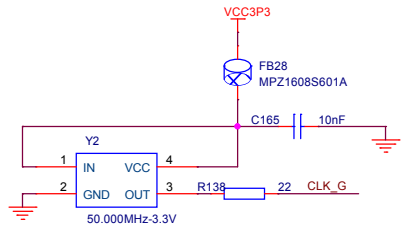
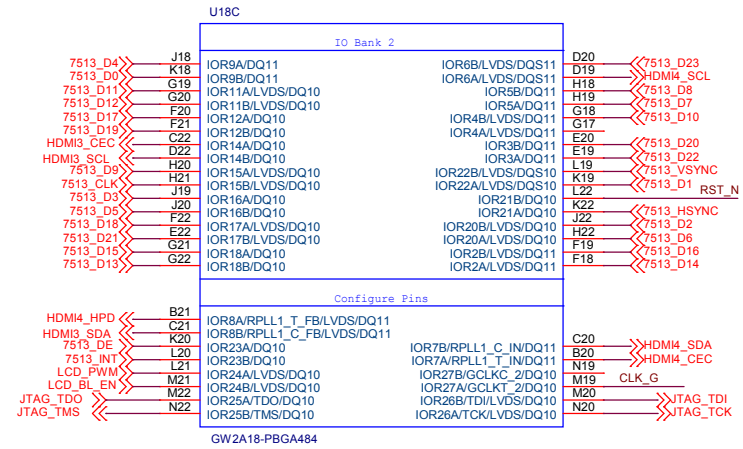
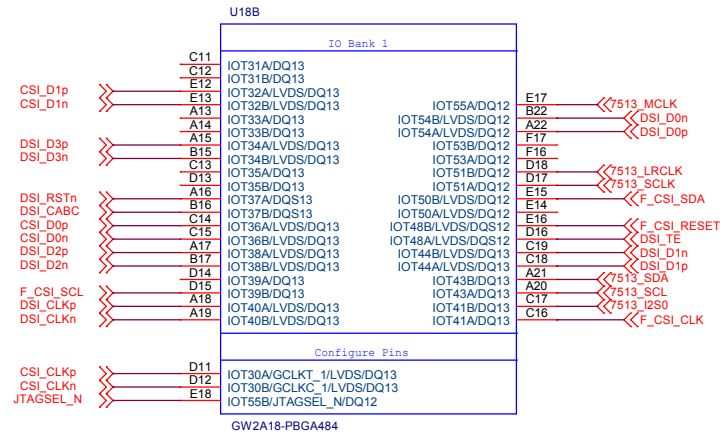
GOWIN Copyright (c) 2019 by Gowin Semiconductor Corporation, Ltd.		
Title: DK_VIDEO_GW2A-LV18PG484C8I7		
Size: A3	Document Number: Bank Power	Rev: V1.2
Date: Friday, September 10, 2021	Sheet: 4	of 14

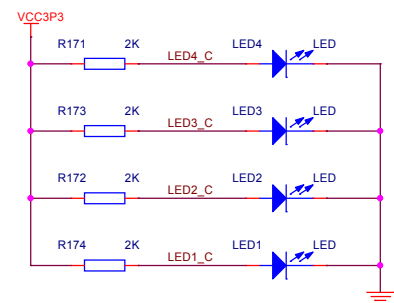
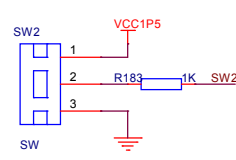
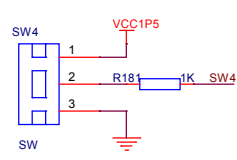
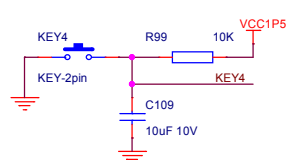
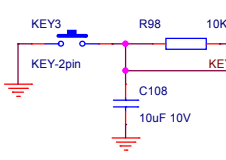
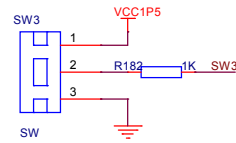
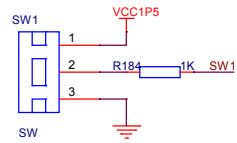
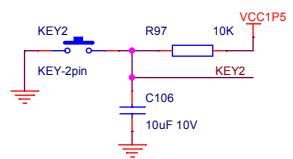
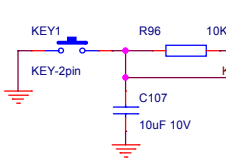
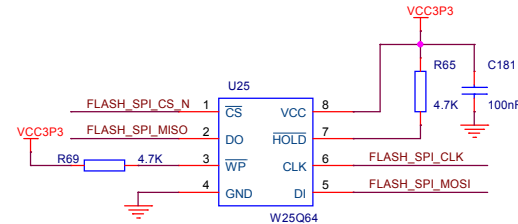
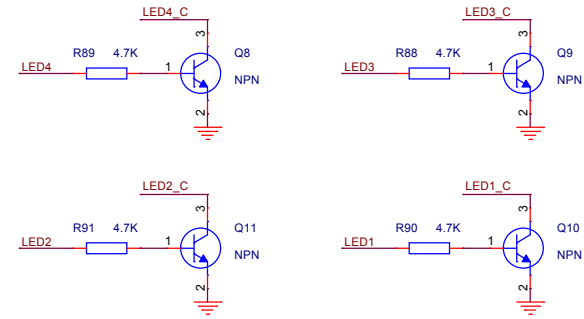
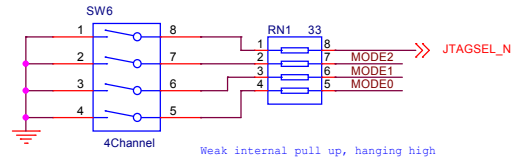
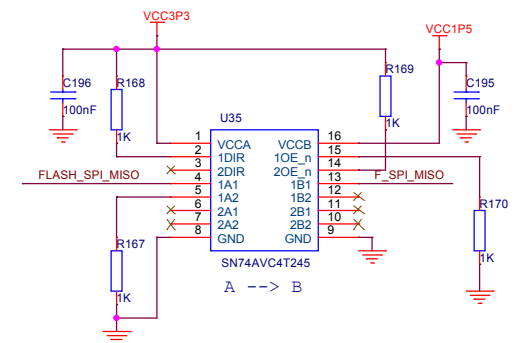
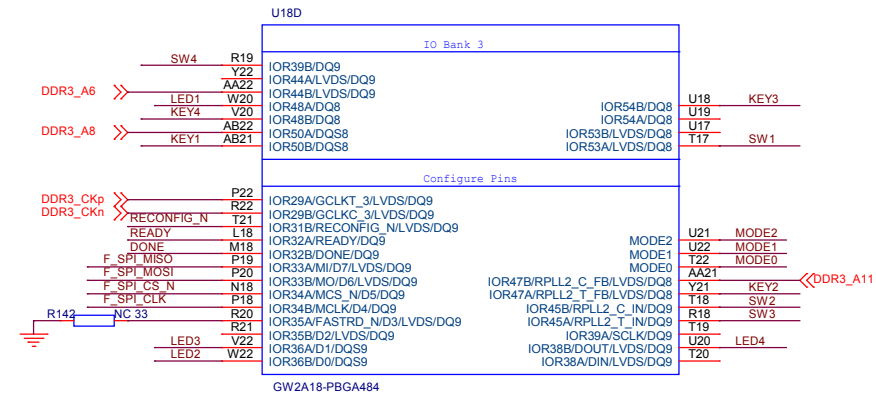
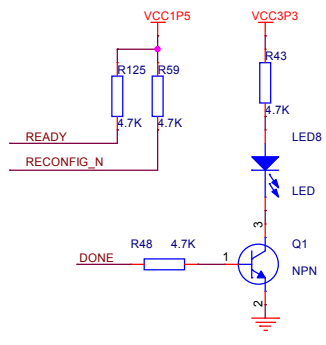
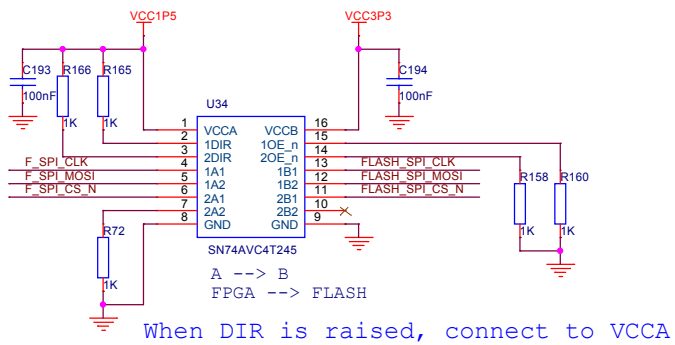


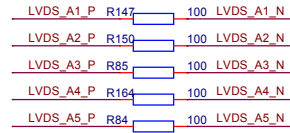
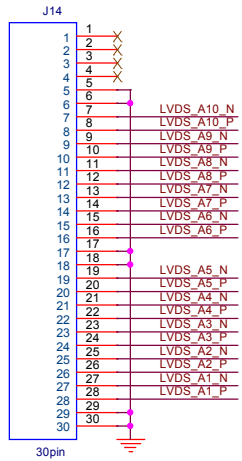
The end resistance is close to the FPGA



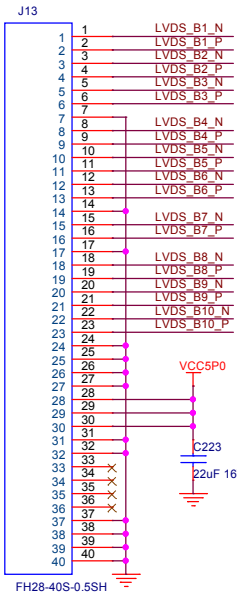
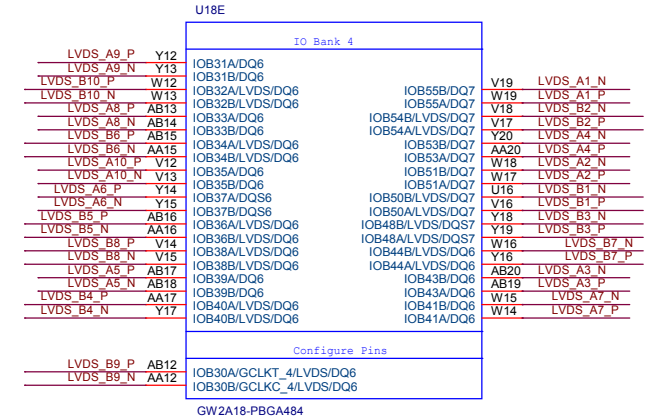
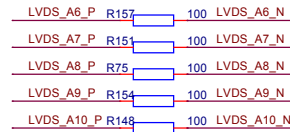
GOWIN		
Copyright (c) 2019 by Gowin Semiconductor Corporation, Ltd.		
Title DK_VIDEO_GW2A-LV18PG484C8I7		
Size A3	Document Number BO_MIPi-LP_HDMI3_HDMI4	Rev V1.2
Date: Friday, September 10, 2021	Sheet 5	of 14



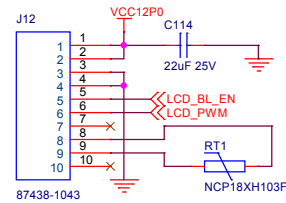


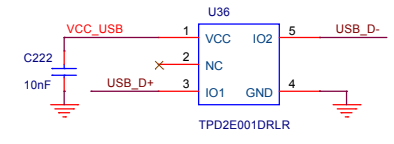
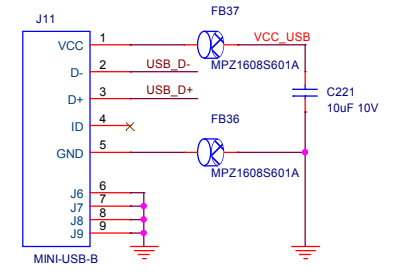
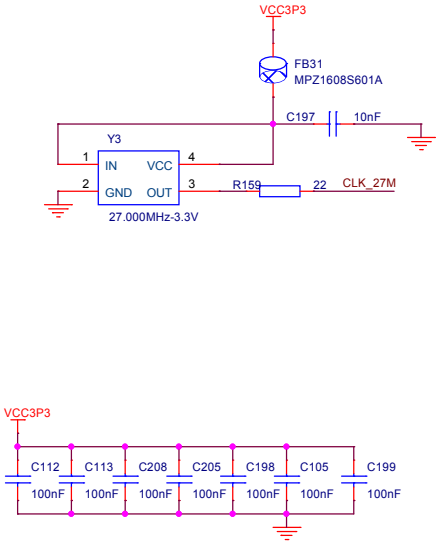
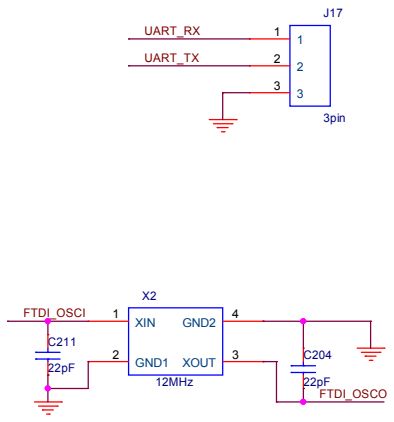
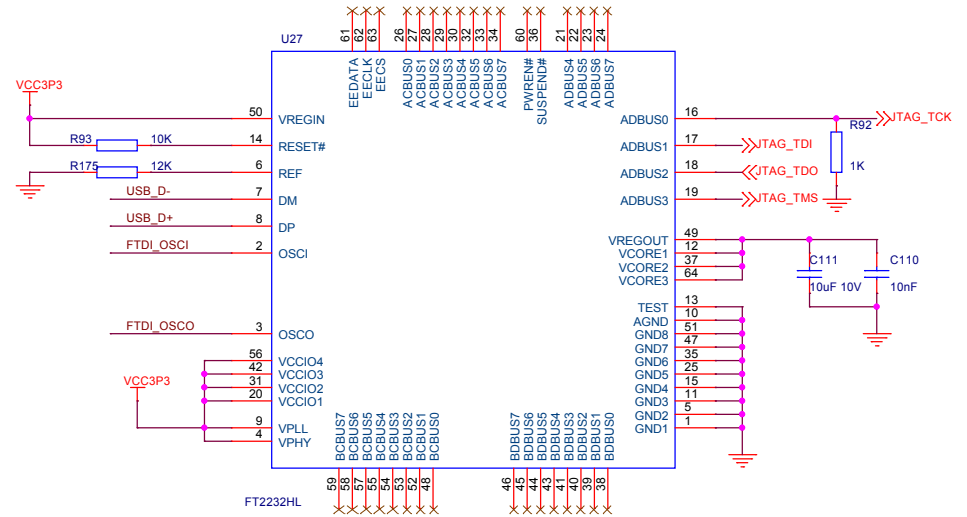
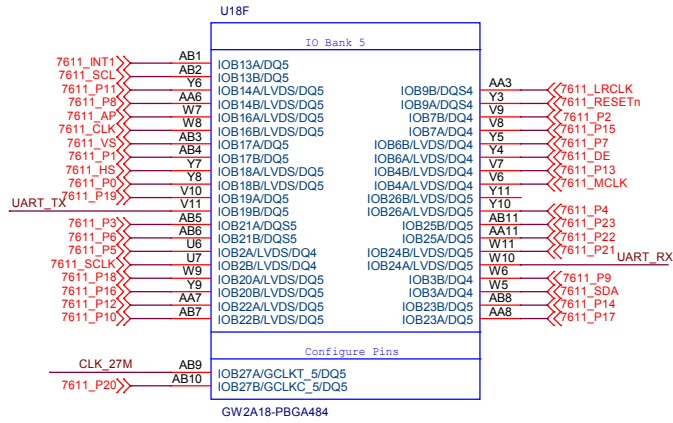


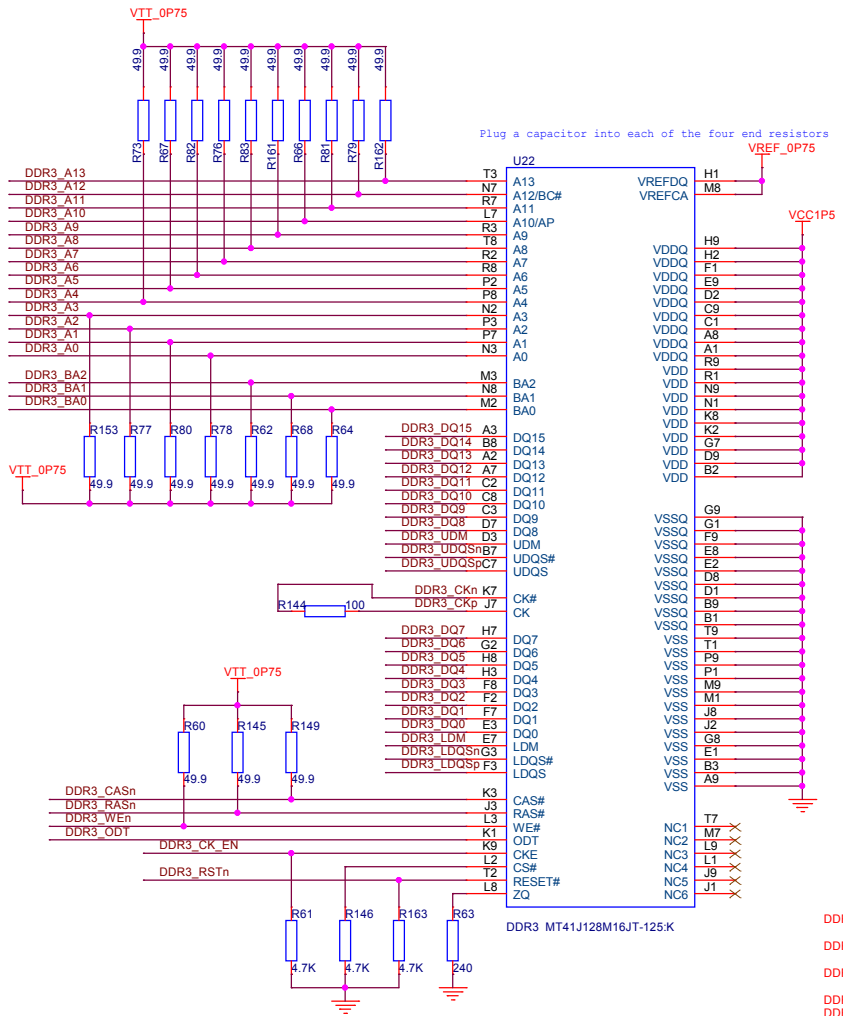
LVDS RX



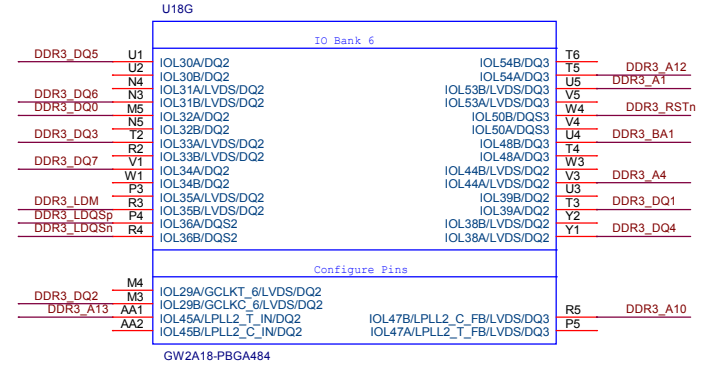
LVDS TX



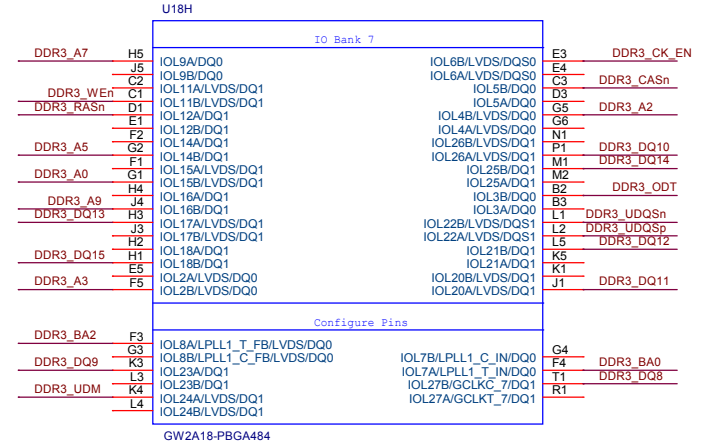


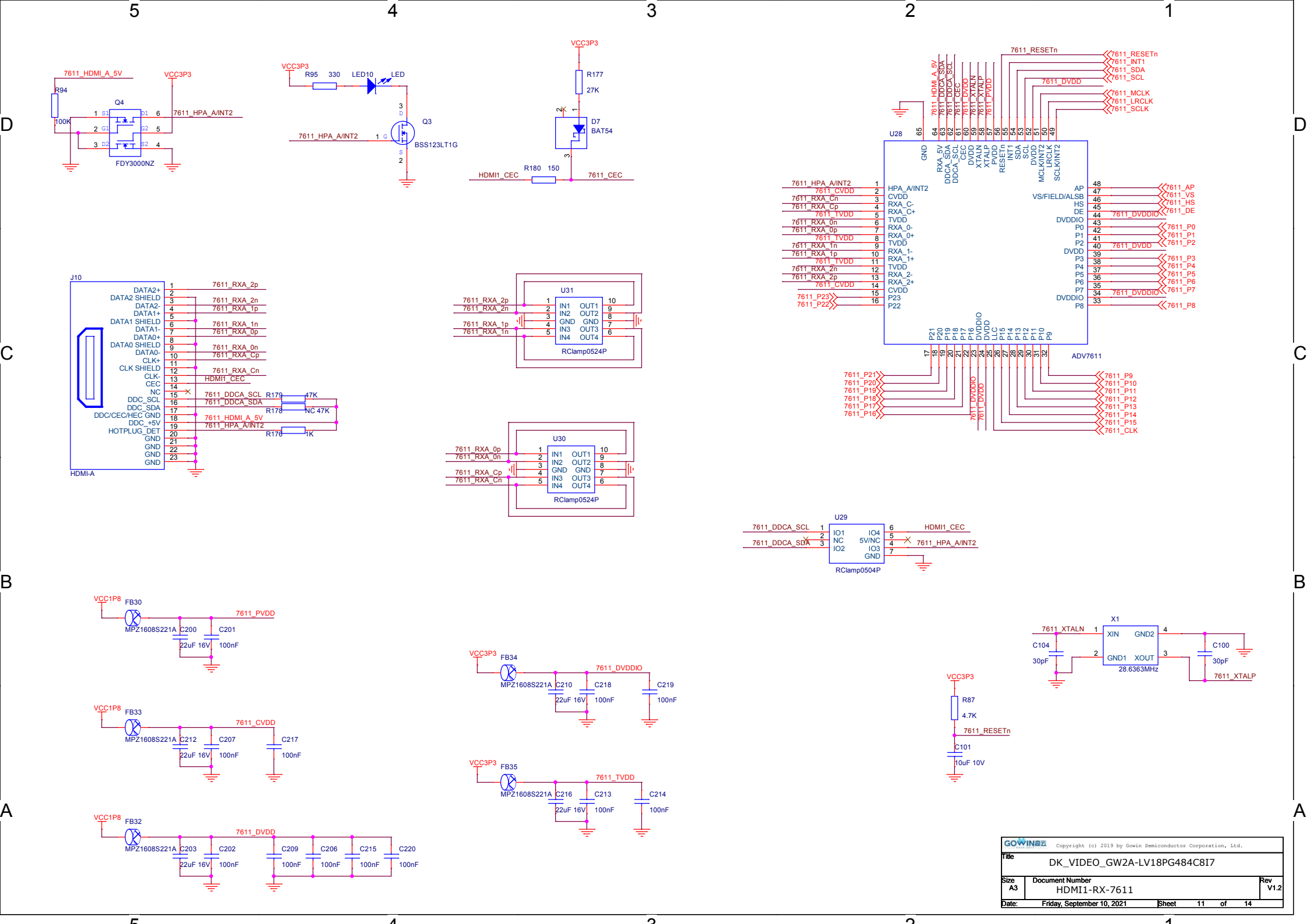


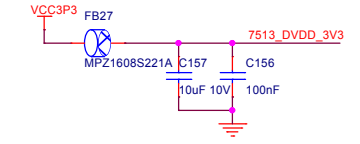
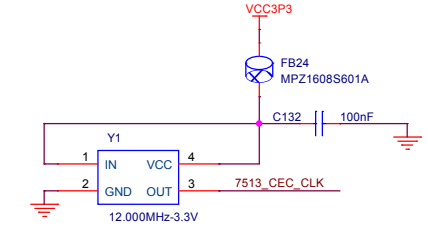
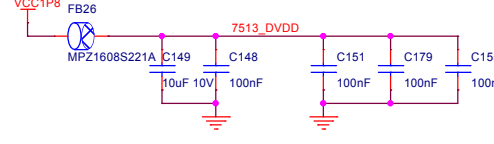
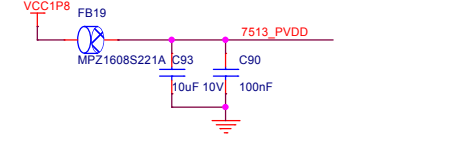
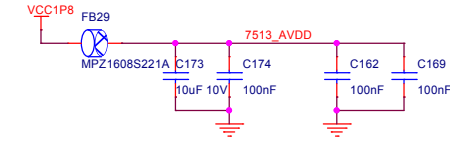
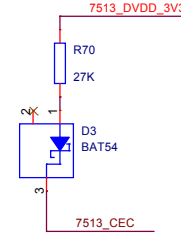
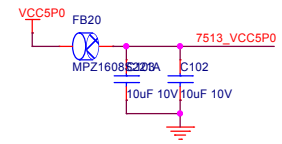
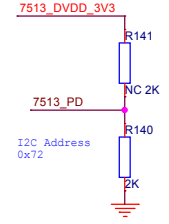
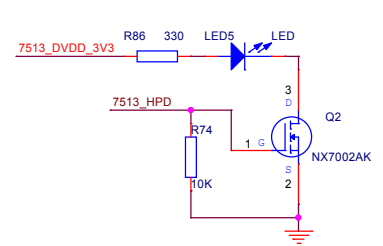
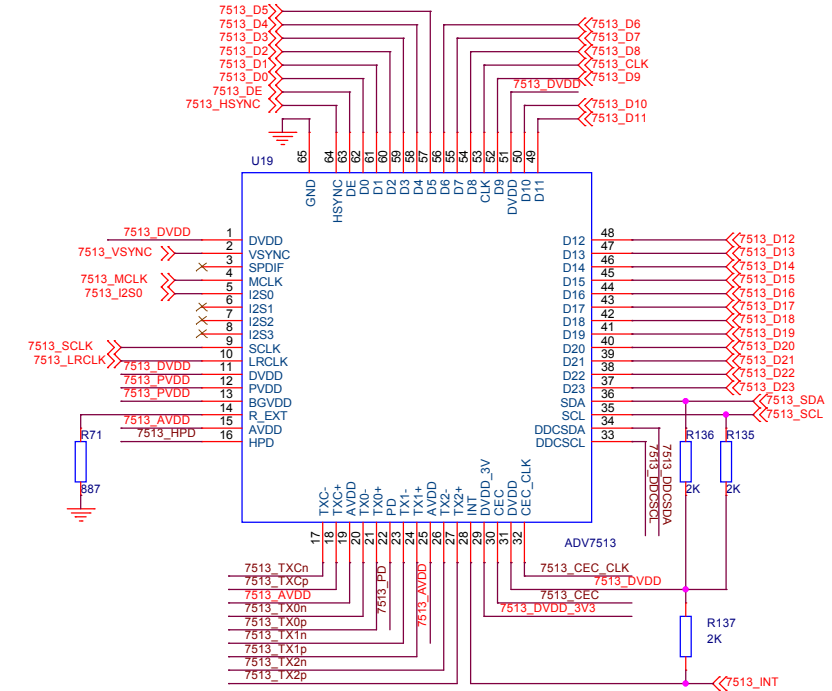
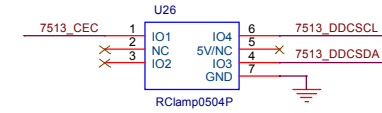
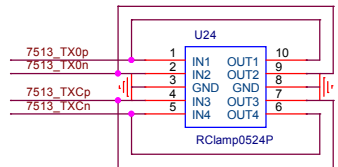
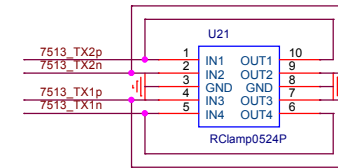
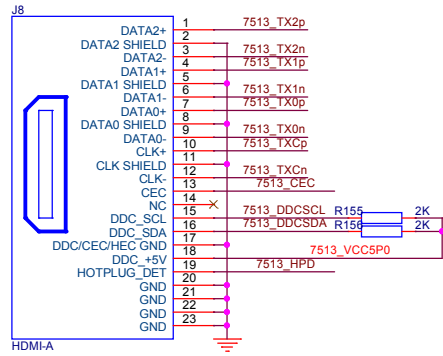
- DDR3_A11 >>> DDR3_A11
- DDR3_A8 >>> DDR3_A8
- DDR3_A6 >>> DDR3_A6
- DDR3_Ck# >>> DDR3_Ck#
- DDR3_Ck# >>> DDR3_Ck#



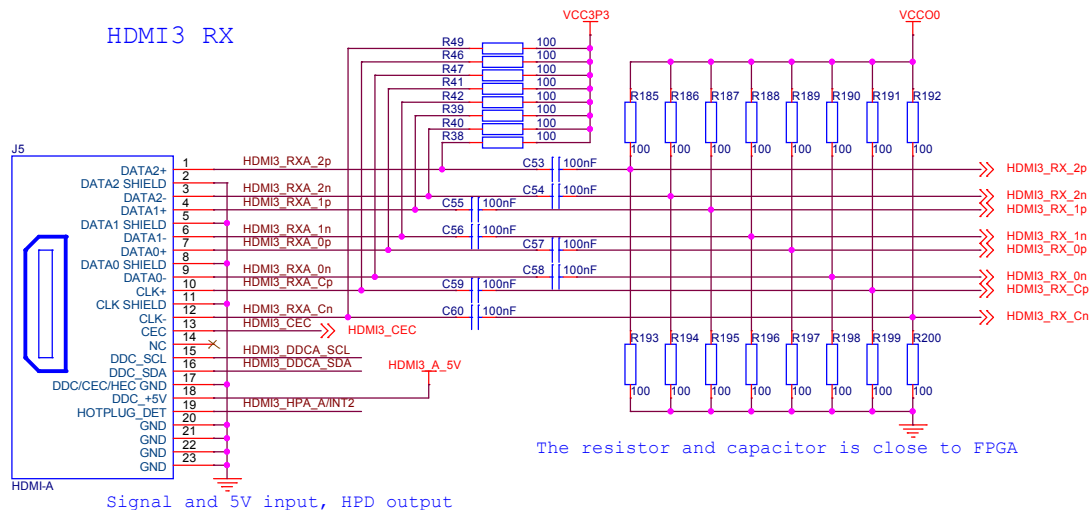
DQ[7:0],LDQSn,LDQSp and LDM is assigned to Bank6's DQ3
 DQ15:8],UDQSn,UDQSp and UDM is assigned to Bank7's DQ1







GOWIN			Copyright (c) 2019 by Gowin Semiconductor Corporation, Ltd.		
File DK_VIDEO_GW2A-LV18PG484C8I7					
Size A3	Document Number HDMI2-TX-7513				Rev V1.2
Date: Friday, September 10, 2021	Sheet	12	of	14	



Signal and 5V input, HPD output

