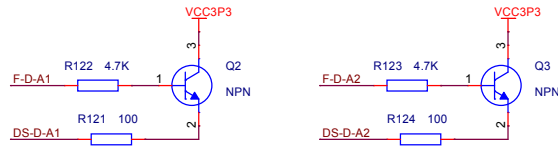
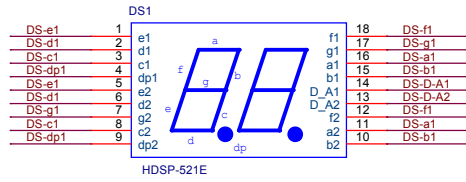
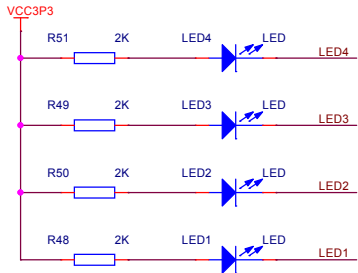


U2H	
IO Bank 7	
MIPI_RX1_LP_D0n	>> E5 IOL2A/LVDS/DQ0
MIPI_RX0_LP_D3p	>> F5 IOL2B/LVDS/DQ0
MIPI_RX0_LP_D3n	>> B3 IOL3A/DQ0
MIPI_RX1_LP_D3p	>> B2 IOL3B/DQ0
MIPI_RX1_LP_D3n	>> G5 IOL5A/DQ0
MIPI_RX0_LP_CLKn	>> D3 IOL5B/DQ0
MIPI_RX0_LP_CLKp	>> C3 IOL7A/DQ0
MIPI_RX1_LP_D0p	>> E4 IOL8A/LVDS/DQS0
MIPI_RX1_LP_D1p	>> E3 IOL8B/LVDS/DQS0
MIPI_TX0_LP_D2p	>> J5 IOL14A/DQ1
MIPI_RX1_LP_CLKp	>> C2 IOL14B/DQ1
MIPI_RX1_LP_CLKn	>> C1 IOL15A/LVDS/DQ1
MIPI_RX1_LP_D2p	>> D1 IOL15B/LVDS/DQ1
MIPI_RX0_LP_D2n	>> E1 IOL16B/DQ1
MIPI_RX0_LP_D0p	>> F2 IOL18A/DQS1
MIPI_RX0_LP_D1p	>> G2 IOL18B/DQS1
MIPI_RX0_LP_D1n	>> F1 IOL20A/LVDS/DQ1
MIPI_RX0_LP_D0n	>> G1 IOL20B/LVDS/DQ1
MIPI_TX0_LP_CLKp	>> H4 IOL21A/DQ1
MIPI_TX0_LP_CLKn	>> J4 IOL21B/DQ1
MIPI_TX0_LP_D1n	>> H3 IOL28A/LVDS/DQ2
MIPI_TX1_LP_D3p	>> J3 IOL28B/LVDS/DQ2
MIPI_RX0_LP_D2p	>> H1 IOL29A/DQ2
MIPI_RX0_LP_D2n	>> J1 IOL29B/DQ2
MIPI_TX1_LP_D3n	>> K1 IOL32A/LVDS/DQ2
MIPI_TX1_LP_D2p	>> K5 IOL32B/LVDS/DQ2
MIPI_TX0_LP_D2n	>> K5 IOL33A/DQ2
MIPI_TX0_LP_D3n	>> L5 IOL33B/DQ2
MIPI_TX1_LP_CLKn	>> L2 IOL34A/LVDS/DQS2
MIPI_TX1_LP_CLKp	>> M2 IOL34B/LVDS/DQS2
MIPI_TX1_LP_D1n	>> M1 IOL42A/DQ2
MIPI_TX1_LP_D1p	>> P1 IOL42B/DQ2
MIPI_TX1_LP_D0n	>> P1 IOL43A/LVDS/DQ2
MIPI_TX1_LP_D0p	>> N1 IOL43B/LVDS/DQ2
Configure Pins	
MIPI_TX0_LP_D0p	>> F4 IOL9A/LPLL1_T_IN/DQ0
MIPI_TX0_LP_D1p	>> G4 IOL9B/LPLL1_C_IN/DQ0
MIPI_RX1_LP_D1n	>> F3 IOL11A/LPLL1_T_FB/LVDS/DQ1
MIPI_TX0_LP_D0n	>> G3 IOL11B/LPLL1_C_FB/LVDS/DQ1
MIPI_TX1_LP_D2n	>> K3 IOL35A/LPLL2_T_IN/DQ2
	>> L3 IOL35B/LPLL2_C_IN/DQ2
MIPI_TX0_LP_D3p	>> L4 IOL37A/LPLL2_T_FB/LVDS/DQ2
	>> R1 IOL37B/LPLL2_C_FB/LVDS/DQ2
	>> T1 IOL44A/GCLKT_7/DQ2
	>> T1 IOL44B/GCLKC_7/DQ2

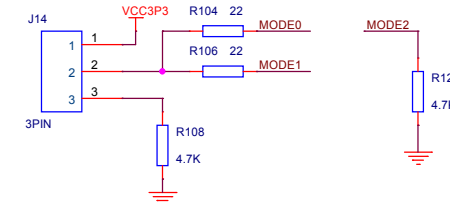
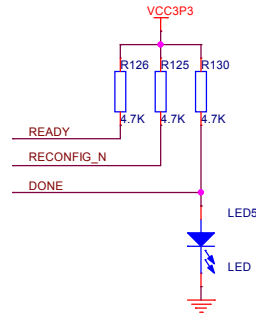
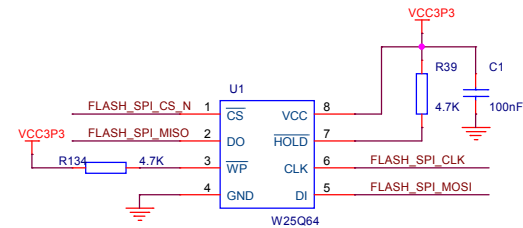
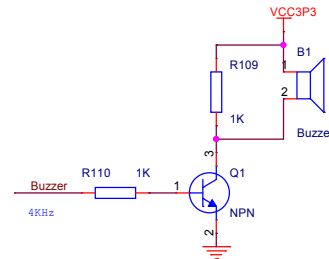
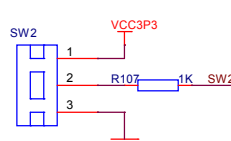
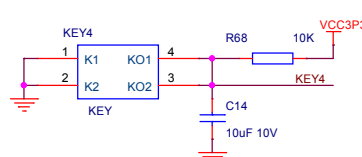
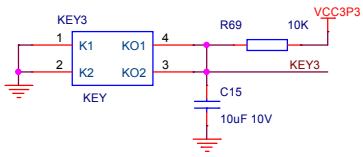
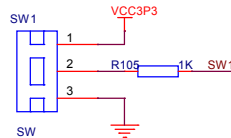
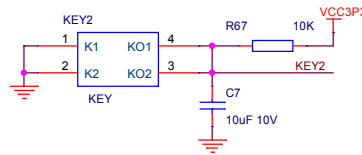
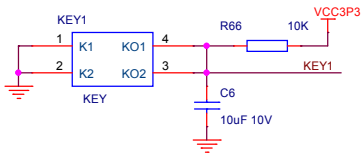
GW2A55-PBGA484

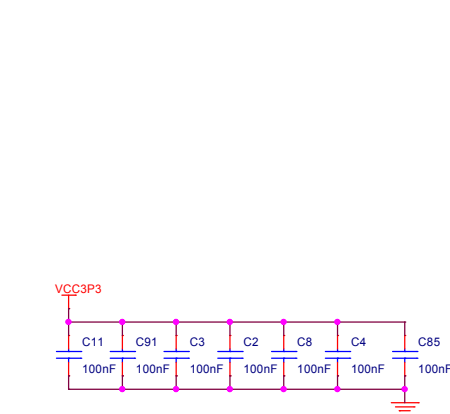
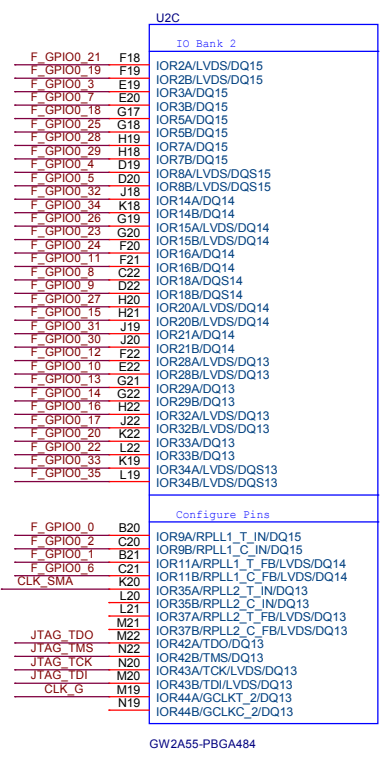
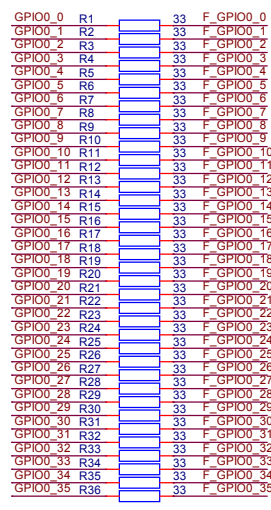
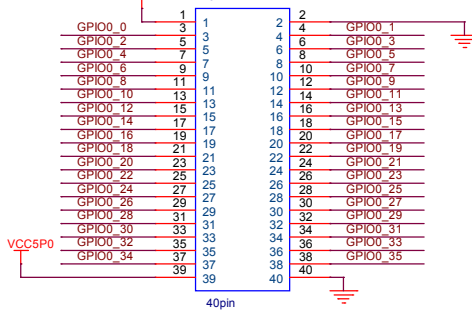
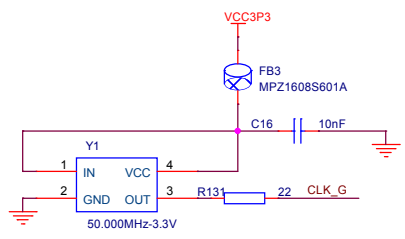
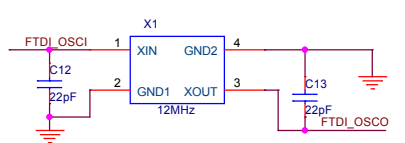
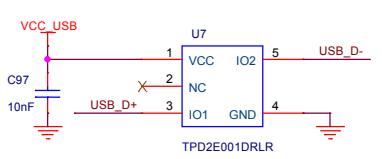
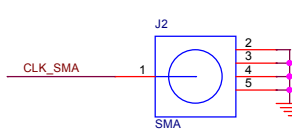
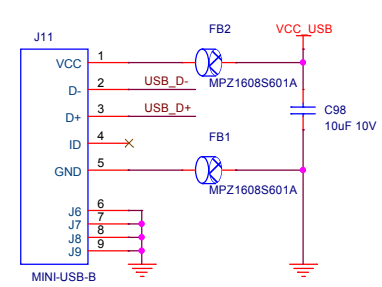
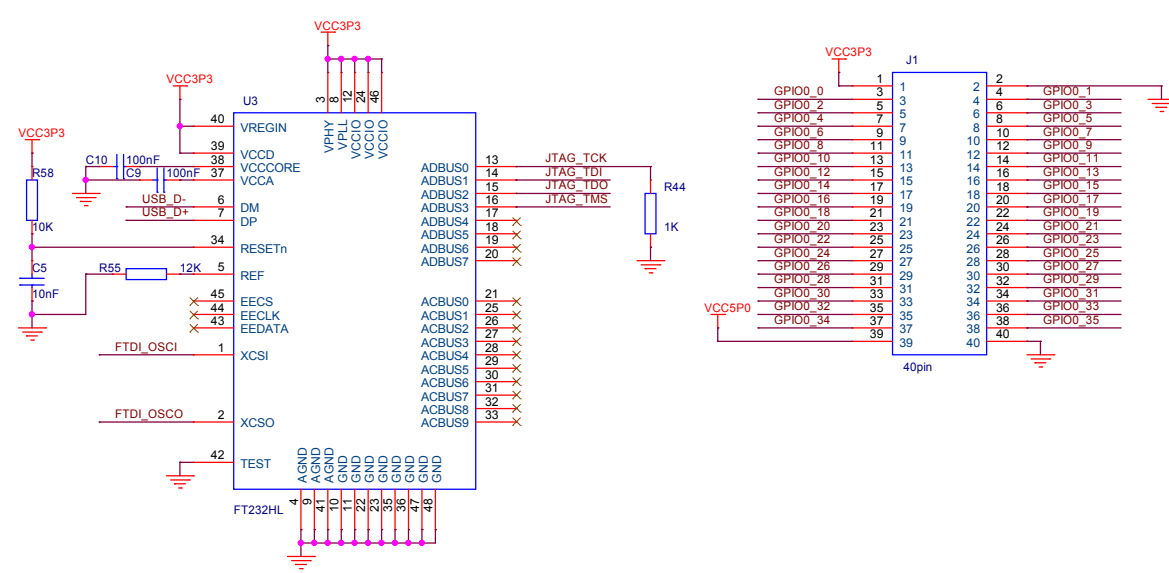


IO Bank 3	
KEY4	Y22
KEY3	AA22
LED4	W20
F-D-A1	V20
KEY1	AB21
LED2	T17
LED3	U17
F-D-A2	U19
DS-d1	U18
DS-e1	P22
DS-dp1	R22
MODE0	T22
MODE1	U22
MODE2	U21
RECONFIG_N	L18
READY	L18
DONE	M18
FLASH_SPI_MISO	P19
FLASH_SPI_MOSI	P20
FLASH_SPI_CS_N	N18
FLASH_SPI_CLK	P18
DS-e1	R21
DS-d1	R20
KEY2	W22
DS-f1	T20
DS-a1	U20
DS-b1	T19
DS-g1	R18
Buzzer	T18
SW1	Y21
SW2	AA21

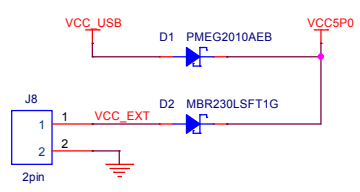
Configure Pins	
IOR46A/GCLKT_3/LVDS/DQ12	IOR46A/GCLKT_3/LVDS/DQ12
IOR46B/GCLKC_3/LVDS/DQ12	IOR46B/GCLKC_3/LVDS/DQ12
IOR47A/MODE0/DQ12	IOR47A/MODE0/DQ12
IOR47B/MODE1/DQ12	IOR47B/MODE1/DQ12
IOR48A/MODE2/LVDS/DQ12	IOR48A/MODE2/LVDS/DQ12
IOR48B/RECONFIG_N/LVDS/DQ12	IOR48B/RECONFIG_N/LVDS/DQ12
IOR49A/READY/DQ12	IOR49A/READY/DQ12
IOR49B/DONE/DQ12	IOR49B/DONE/DQ12
IOR50A/MID7/LVDS/DQ12	IOR50A/MID7/LVDS/DQ12
IOR50B/MOD6/LVDS/DQ12	IOR50B/MOD6/LVDS/DQ12
IOR51A/MOS_N/DQ12	IOR51A/MOS_N/DQ12
IOR51B/MCLK/D4/DQ12	IOR51B/MCLK/D4/DQ12
IOR52A/FASTRD_N/D3/LVDS/DQ12	IOR52A/FASTRD_N/D3/LVDS/DQ12
IOR52B/SI/D2/LVDS/DQ12	IOR52B/SI/D2/LVDS/DQ12
IOR53A/SO/D1/DQ12	IOR53A/SO/D1/DQ12
IOR53B/SSPI_CS_N/DQ12	IOR53B/SSPI_CS_N/DQ12
IOR54A/DIN/CLKHOLD_N/LVDS/DQ12	IOR54A/DIN/CLKHOLD_N/LVDS/DQ12
IOR55B/DOUTWE_N/LVDS/DQ12	IOR55B/DOUTWE_N/LVDS/DQ12
IOR56A/SCLK/DQ12	IOR56A/SCLK/DQ12
IOR74A/RPLL3_T_IN/DQ11	IOR74A/RPLL3_T_IN/DQ11
IOR76A/RPLL3_T_FB/LVDS/DQ11	IOR76A/RPLL3_T_FB/LVDS/DQ11
IOR76B/RPLL3_C_FB/LVDS/DQ11	IOR76B/RPLL3_C_FB/LVDS/DQ11

GW2A55-PBGAA484

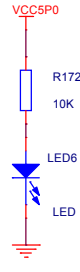
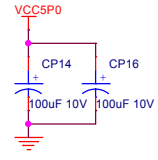




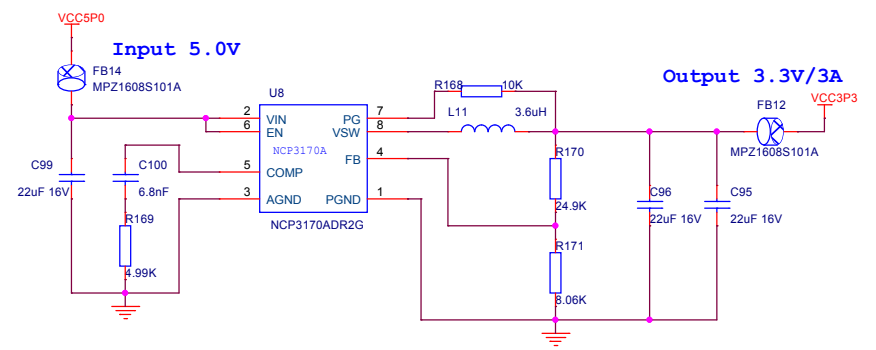
5



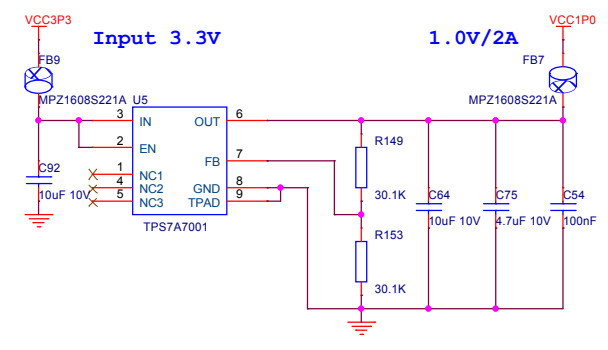
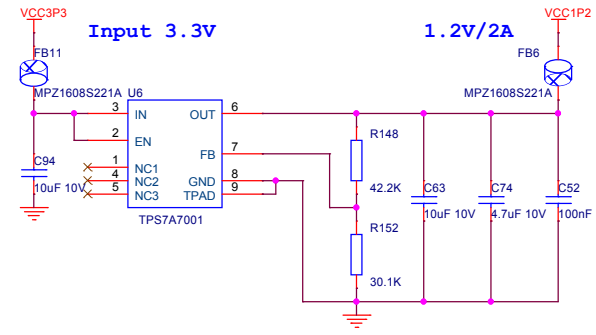
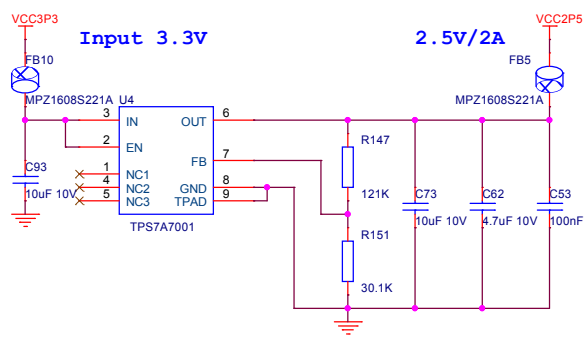
4



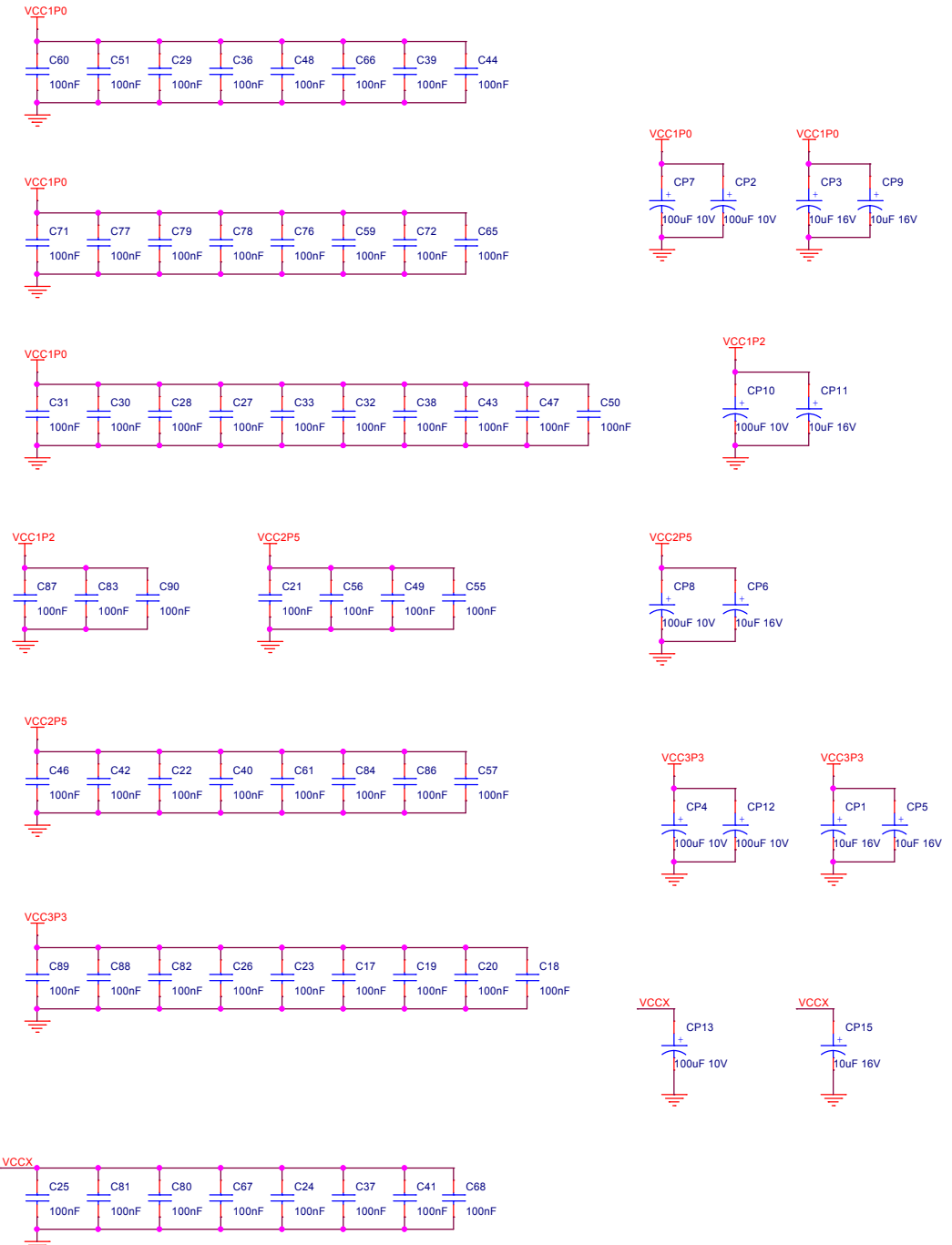
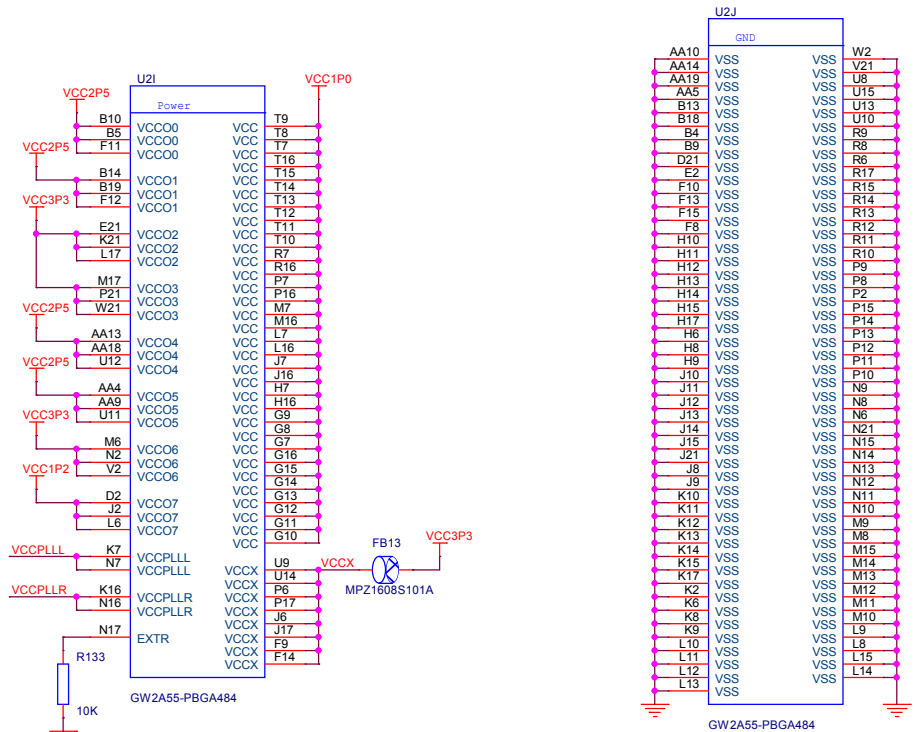
3



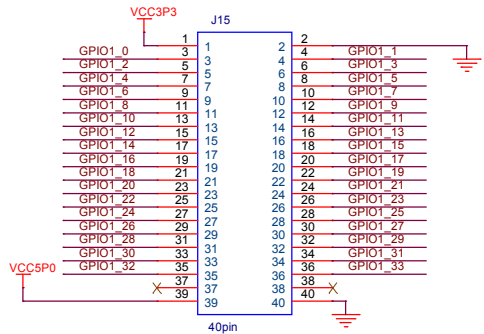
2



Title		
DK-START-GW2A55		
Size	Document Number	Rev
A3	<Doc>	V1.1
Date:	Saturday, February 08, 2020	Sheet 1 of 1



Title		
DK-START-GW2A55		
Size	Document Number	Rev
A3	<Doc>	V1.1
Date:	Friday, February 07, 2020	Sheet 1 of 1

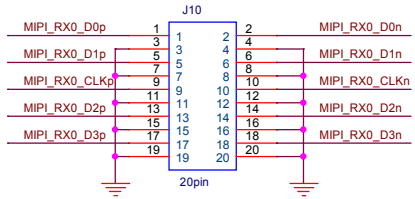


GPIO1_0	R70	33	F_GPIO1_0
GPIO1_1	R71	33	F_GPIO1_1
GPIO1_2	R72	33	F_GPIO1_2
GPIO1_3	R73	33	F_GPIO1_3
GPIO1_4	R74	33	F_GPIO1_4
GPIO1_5	R75	33	F_GPIO1_5
GPIO1_6	R76	33	F_GPIO1_6
GPIO1_7	R77	33	F_GPIO1_7
GPIO1_8	R78	33	F_GPIO1_8
GPIO1_9	R79	33	F_GPIO1_9
GPIO1_10	R80	33	F_GPIO1_10
GPIO1_11	R81	33	F_GPIO1_11
GPIO1_12	R82	33	F_GPIO1_12
GPIO1_13	R83	33	F_GPIO1_13
GPIO1_14	R84	33	F_GPIO1_14
GPIO1_15	R85	33	F_GPIO1_15
GPIO1_16	R86	33	F_GPIO1_16
GPIO1_17	R87	33	F_GPIO1_17
GPIO1_18	R88	33	F_GPIO1_18
GPIO1_19	R89	33	F_GPIO1_19
GPIO1_20	R90	33	F_GPIO1_20
GPIO1_21	R91	33	F_GPIO1_21
GPIO1_22	R92	33	F_GPIO1_22
GPIO1_23	R93	33	F_GPIO1_23
GPIO1_24	R94	33	F_GPIO1_24
GPIO1_25	R95	33	F_GPIO1_25
GPIO1_26	R96	33	F_GPIO1_26
GPIO1_27	R97	33	F_GPIO1_27
GPIO1_28	R98	33	F_GPIO1_28
GPIO1_29	R99	33	F_GPIO1_29
GPIO1_30	R100	33	F_GPIO1_30
GPIO1_31	R101	33	F_GPIO1_31
GPIO1_32	R102	33	F_GPIO1_32
GPIO1_33	R103	33	F_GPIO1_33

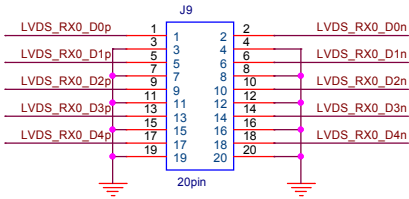
U2G		
IO Bank 6		
F_GPIO1_21	U1	IOL47A/DQ3
F_GPIO1_22	U2	IOL47B/DQ3
F_GPIO1_0	N4	IOL48A/LVDS/DQ3
F_GPIO1_12	N3	IOL48B/LVDS/DQ3
F_GPIO1_8	M5	IOL49A/DQ3
F_GPIO1_11	N5	IOL49B/DQ3
F_GPIO1_20	T2	IOL50A/LVDS/DQ3
F_GPIO1_19	R2	IOL50B/LVDS/DQ3
F_GPIO1_23	V1	IOL51A/DQ3
F_GPIO1_24	W1	IOL51B/DQ3
F_GPIO1_14	P3	IOL52A/LVDS/DQ3
F_GPIO1_15	R3	IOL52B/LVDS/DQ3
F_GPIO1_1	P4	IOL53A/DQS3
F_GPIO1_16	R4	IOL53B/DQS3
F_GPIO1_25	Y1	IOL55A/LVDS/DQ3
F_GPIO1_26	Y2	IOL55B/LVDS/DQ3
F_GPIO1_18	T3	IOL56A/DQ3
F_GPIO1_7	U3	IOL56B/DQ3
F_GPIO1_33	V3	IOL73A/LVDS/DQS4
F_GPIO1_29	W3	IOL73B/LVDS/DQS4
F_GPIO1_17	T4	IOL77A/DQ4
F_GPIO1_6	U4	IOL77B/DQ4
F_GPIO1_32	V4	IOL79A/DQ4
F_GPIO1_30	W4	IOL79B/DQ4
F_GPIO1_31	V5	IOL82A/LVDS/DQ4
F_GPIO1_5	U5	IOL82B/LVDS/DQ4
F_GPIO1_4	T5	IOL83A/DQ4
F_GPIO1_3	T6	IOL83B/DQ4

Configure Pins		
F_GPIO1_9	M4	IOL46A/GCLKT_6/LVDS/DQ3
F_GPIO1_10	M3	IOL46B/GCLKC_6/LVDS/DQ3
F_GPIO1_27	AA1	IOL74A/LPLL3_T_IN/DQ4
F_GPIO1_28	AA2	IOL74B/LPLL3_C_IN/DQ4
F_GPIO1_13	P5	IOL76A/LPLL3_T_FB/LVDS/DQ4
F_GPIO1_2	R5	IOL76B/LPLL3_C_FB/LVDS/DQ4

GW2A55-PBGA484

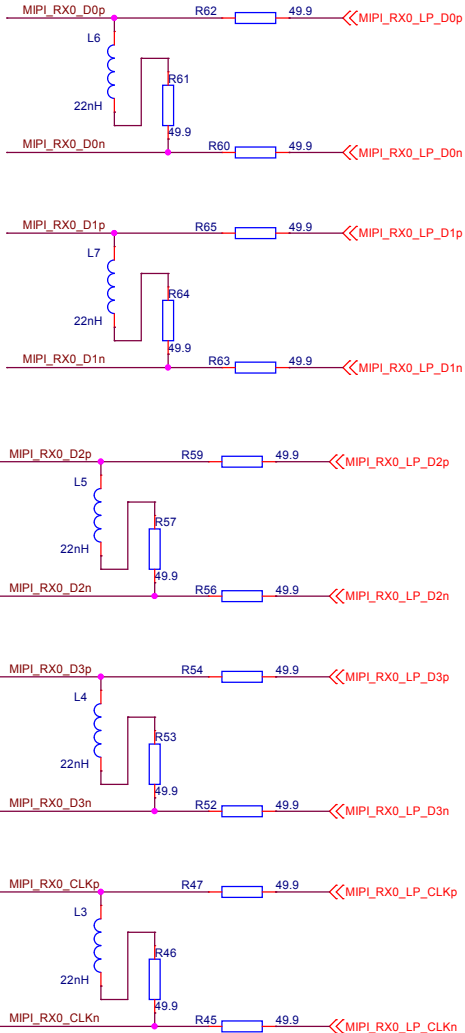


2mm间距, 无框插针, MIPI RX0

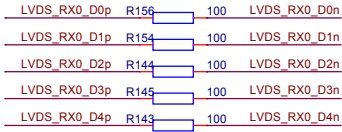


2mm间距, 无框插针, LVDS RX0

靠近FPGA

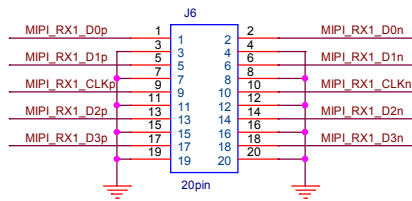


靠近FPGA

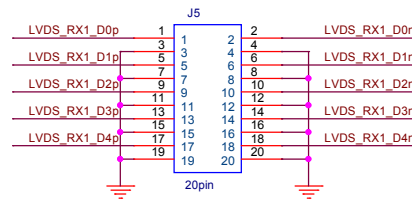


U2A	
IO Bank 0	
MIPI_RX0_D2p	D5
MIPI_RX0_D2n	D6
	E6
	E7
MIPI_RX0_D1p	D4
MIPI_RX0_D1n	C4
MIPI_RX0_D3p	F6
MIPI_RX0_D3n	F7
	C5
	C6
	B1
	A1
	D7
	D8
MIPI_RX0_D0p	A2
MIPI_RX0_D0n	A3
LVDS_RX0_D1p	C7
LVDS_RX0_D1n	C8
	A4
	A5
LVDS_RX0_D0p	B6
LVDS_RX0_D0n	A6
	E8
	E9
	B7
	A7
LVDS_RX0_D4p	D9
LVDS_RX0_D4n	D10
LVDS_RX0_D3p	C9
LVDS_RX0_D3n	C10
	B8
	A8
LVDS_RX0_D2p	A9
LVDS_RX0_D2n	A10
	E10
	E11
	A11
	A12
MIPI_RX0_CLKp	B11
MIPI_RX0_CLKn	B12
	IOT2A/LVDS/DQ21
	IOT2B/LVDS/DQ21
	IOT3A/DQ21
	IOT3B/DQ21
	IOT4A/LVDS/DQ21
	IOT4B/LVDS/DQ21
	IOT6A/LVDS/DQ21
	IOT6B/LVDS/DQ21
	IOT7A/DQ21
	IOT7B/DQ21
	IOT9A/DQS21
	IOT9B/DQS21
	IOT17A/DQ20
	IOT17B/DQ20
	IOT18A/LVDS/DQ20
	IOT18B/LVDS/DQ20
	IOT20A/LVDS/DQ20
	IOT20B/LVDS/DQ20
	IOT21A/DQ20
	IOT21B/DQ20
	IOT24A/LVDS/DQ20
	IOT24B/LVDS/DQ20
	IOT25A/DQ20
	IOT25B/DQ20
	IOT27A/DQS20
	IOT27B/DQS20
	IOT30A/LVDS/DQS19
	IOT30B/LVDS/DQS19
	IOT36A/LVDS/DQ19
	IOT36B/LVDS/DQ19
	IOT37A/DQ19
	IOT37B/DQ19
	IOT40A/LVDS/DQ19
	IOT40B/LVDS/DQ19
	IOT41A/DQ19
	IOT41B/DQ19
	IOT42A/LVDS/DQ19
	IOT42B/LVDS/DQ19
	IOT45A/GCLKT_0/DQ19
	IOT45B/GCLKC_0/DQ19
	Configure Pins

GW2A55-PBGA484

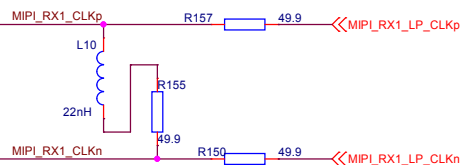
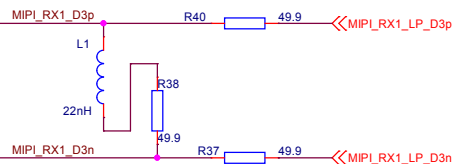
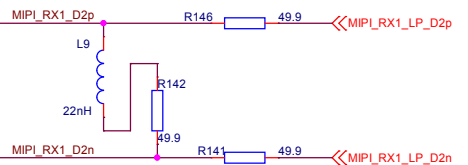
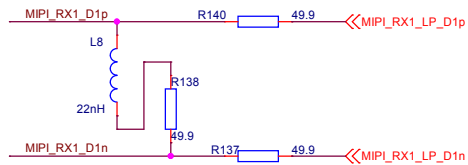
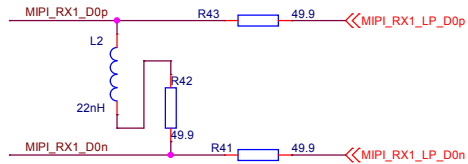


2mm间距, 无框插针, MIPI RX1

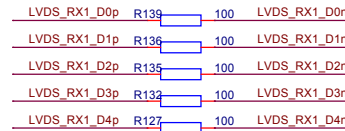


2mm间距, 无框插针, LVDS RX1

靠近FPGA

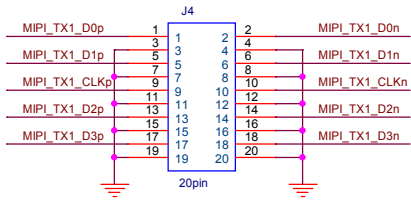


靠近FPGA

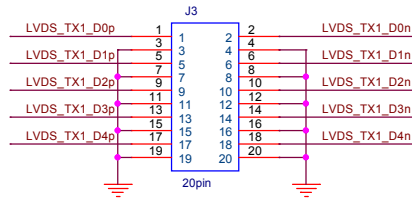


U2B	
IO Bank 1	
MIPI_RX1_D0p	C11
MIPI_RX1_D0n	C12
MIPI_RX1_D1p	E12
MIPI_RX1_D1n	E13
MIPI_RX1_D2p	A13
MIPI_RX1_D2n	A14
MIPI_RX1_D3p	A15
MIPI_RX1_D3n	B15
MIPI_RX1_CLKp	C13
MIPI_RX1_CLKn	D13
MIPI_RX1_D2p	A16
MIPI_RX1_D2n	B16
MIPI_RX1_D3p	C14
MIPI_RX1_D3n	C15
MIPI_RX1_D0p	A17
MIPI_RX1_D0n	B17
MIPI_RX1_D1p	D14
MIPI_RX1_D1n	D15
LVDS_RX1_D2p	A18
LVDS_RX1_D2n	A19
LVDS_RX1_D3p	C16
LVDS_RX1_D3n	C17
LVDS_RX1_D0p	A20
LVDS_RX1_D0n	A21
LVDS_RX1_D1p	C18
LVDS_RX1_D1n	C19
LVDS_RX1_D2p	D16
LVDS_RX1_D2n	E16
LVDS_RX1_D3p	E14
LVDS_RX1_D3n	E15
LVDS_RX1_D0p	D17
LVDS_RX1_D0n	D18
LVDS_RX1_D1p	F16
LVDS_RX1_D1n	F17
LVDS_RX1_D2p	A22
LVDS_RX1_D2n	B22
LVDS_RX1_D3p	E17
LVDS_RX1_D3n	E17
MIPI_RX1_CLKp	D11
MIPI_RX1_CLKn	D12
MIPI_RX1_D0p	E18
MIPI_RX1_D0n	E18

GW2A55-PBGA484

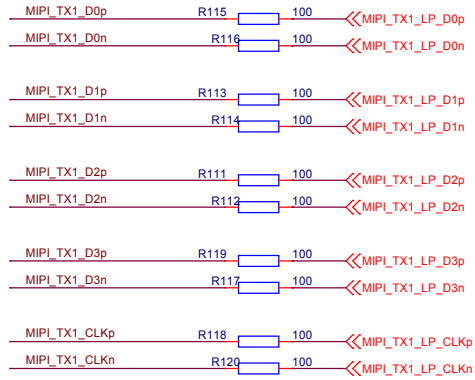


2mm间距, 无框插针, MIPI TX1



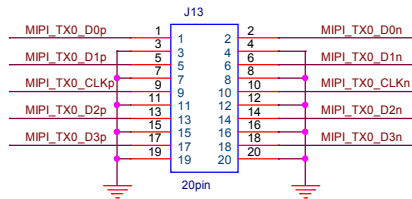
2mm间距, 无框插针, LVDS TX1

靠近连接器

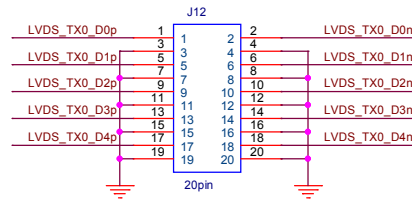


U2E	
IO Bank 4	
Y12	IOB51A/DQ8
Y13	IOB51B/DQ8
W12	IOB52A/LVDS/DQ8
W13	IOB52B/LVDS/DQ8
AB13	IOB53A/DQ8
AB14	IOB53B/DQ8
AB15	IOB56A/LVDS/DQ8
AA15	IOB56B/LVDS/DQ8
V12	IOB57A/DQ8
V13	IOB57B/DQ8
Y14	IOB63A/DQS8
Y15	IOB63B/DQS8
AB18	IOB66A/LVDS/DQS9
AA18	IOB66B/LVDS/DQS9
V14	IOB68A/LVDS/DQ9
V15	IOB68B/LVDS/DQ9
AB17	IOB69A/DQ9
AB18	IOB69B/DQ9
AA17	IOB72A/LVDS/DQ9
V17	IOB72B/LVDS/DQ9
W14	IOB73A/DQ9
W15	IOB73B/DQ9
AB19	IOB75A/DQ9
AB20	IOB75B/DQ9
Y16	IOB76A/LVDS/DQ9
W16	IOB76B/LVDS/DQ9
Y19	IOB84A/LVDS/DQS10
Y18	IOB84B/LVDS/DQS10
V16	IOB86A/LVDS/DQ10
U16	IOB86B/LVDS/DQ10
W17	IOB87A/DQ10
W18	IOB87B/DQ10
AA20	IOB89A/DQ10
V20	IOB89B/DQ10
V17	IOB90A/LVDS/DQ10
V18	IOB90B/LVDS/DQ10
W19	IOB91A/DQ10
V19	IOB91B/DQ10
Configure Pins	
MIPI_TX1_CLKp	AB12
MIPI_TX1_CLKn	AA12
IOB48A/GCLKT_4/LVDS/DQ8	
IOB48B/GCLKC_4/LVDS/DQ8	

GW2A55-PBGA484



2mm间距, 无框插针, MIPI TX0



2mm间距, 无框插针, LVDS TX0

靠近连接器



U2F	
IO Bank 5	
MIPI_TX0_D0p	U6
MIPI_TX0_D0n	U7
	W5
	W6
MIPI_TX0_D1p	V6
MIPI_TX0_D1n	V7
MIPI_TX0_D2p	Y4
MIPI_TX0_D2n	Y5
	V8
	V9
	Y3
	AA3
	AB1
	AB2
MIPI_TX0_D3p	Y6
MIPI_TX0_D3n	AA6
LVDS_TX0_D0p	W7
LVDS_TX0_D0n	W8
	AB3
	AB4
LVDS_TX0_D1p	Y7
LVDS_TX0_D1n	Y8
	V10
	V11
	AB5
	AB6
LVDS_TX0_D2p	W9
LVDS_TX0_D2n	Y9
LVDS_TX0_D3p	AA7
LVDS_TX0_D3n	AB7
	AA8
	AB8
LVDS_TX0_D4p	W10
LVDS_TX0_D4n	W11
	AA11
	AB11
	Y10
	Y11
	Configure Pins
MIPI_TX0_CLKp	AB9
MIPI_TX0_CLKn	AB10
	IOB45A/GCLKT_5/DO7
	IOB45B/GCLKC_5/DQ7

GW2A55-PBGA484