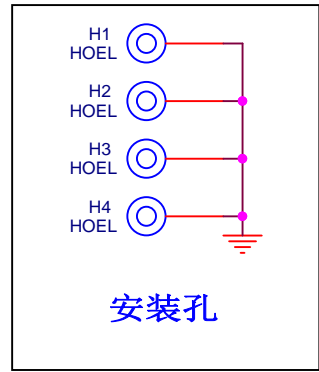
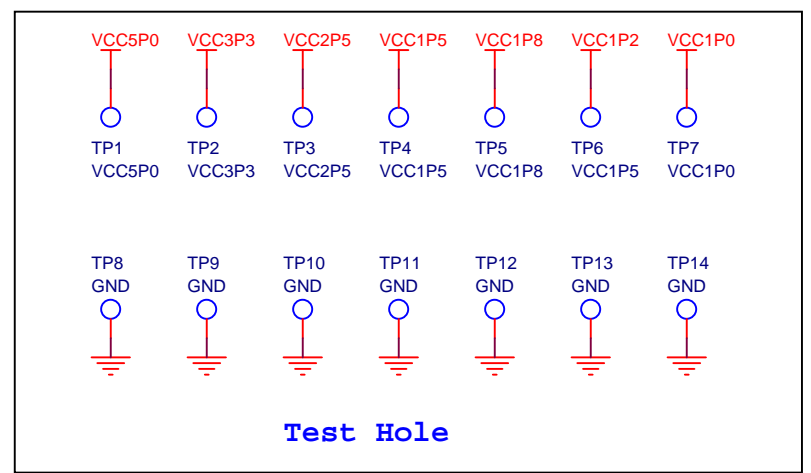
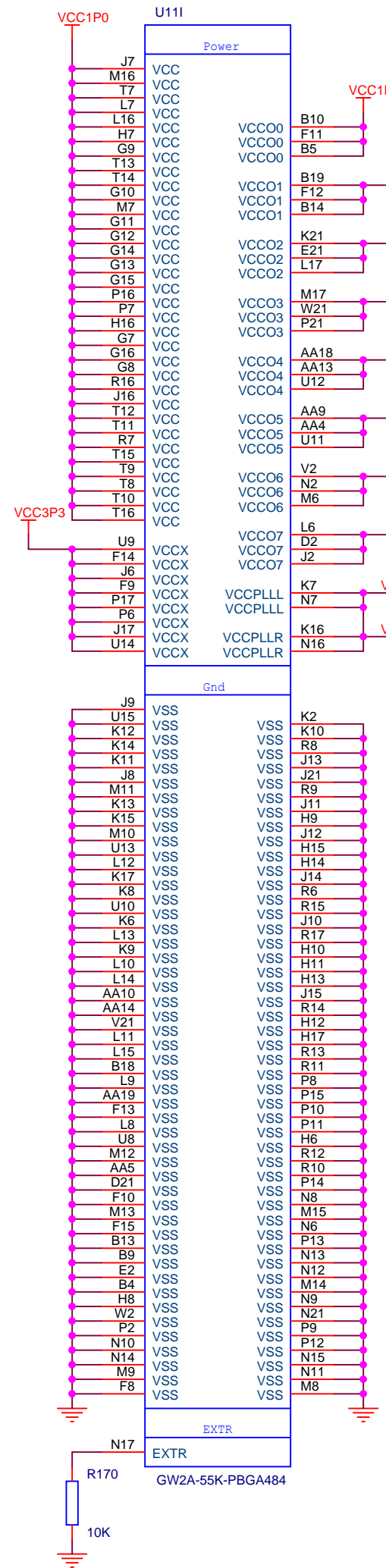


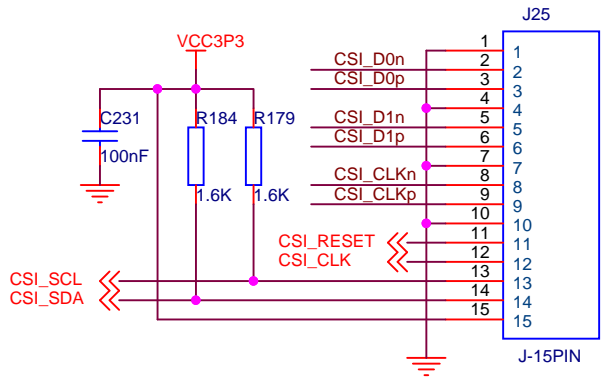
根据实际情况增减

Bank5电压可调

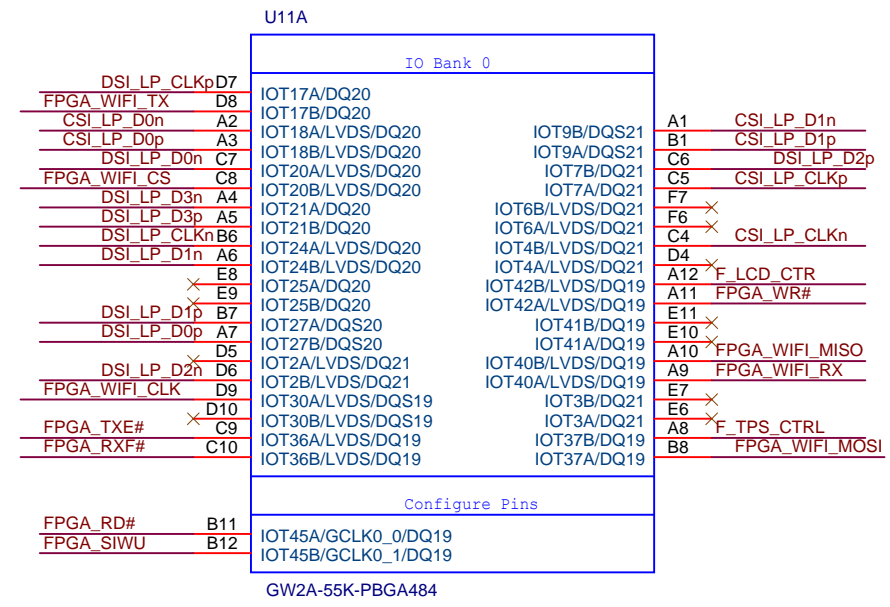
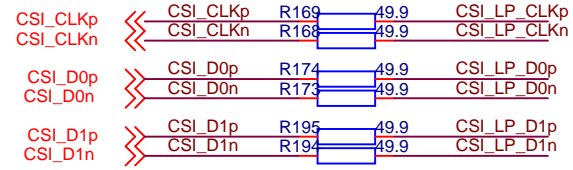
安装孔



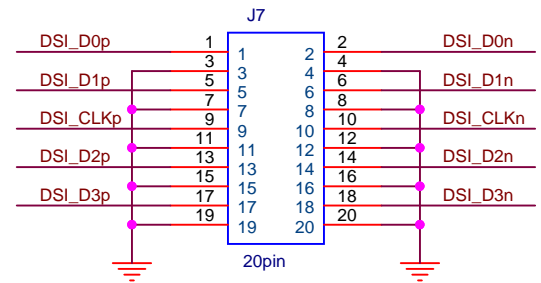
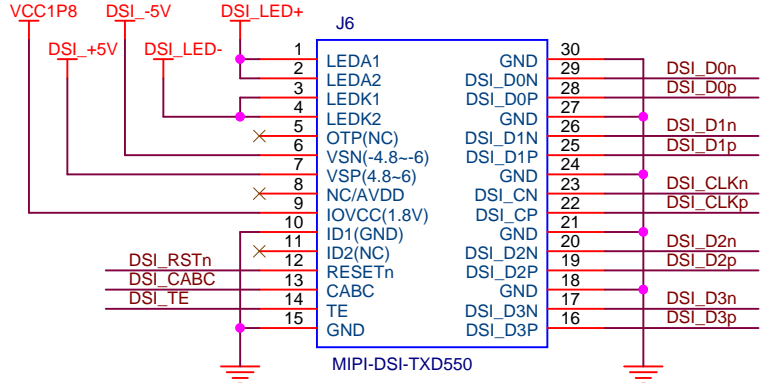
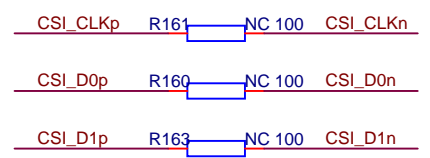
GOWIN Copyright (c) 2019 by Gowin Semiconductor Corporation, Ltd.		
Title DK-START-GW2A55-PG484-V1.3		
Size A3	Document Number Bank Power	Rev V1.3
Date: Saturday, November 23, 2019	Sheet 4	of 13



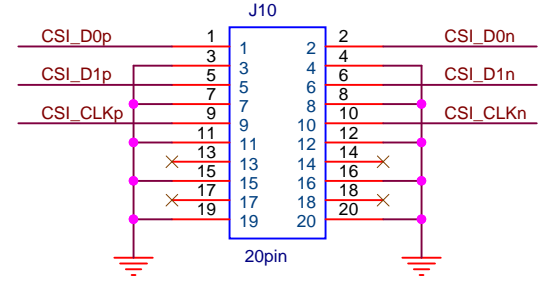
端接电阻靠近FPGA



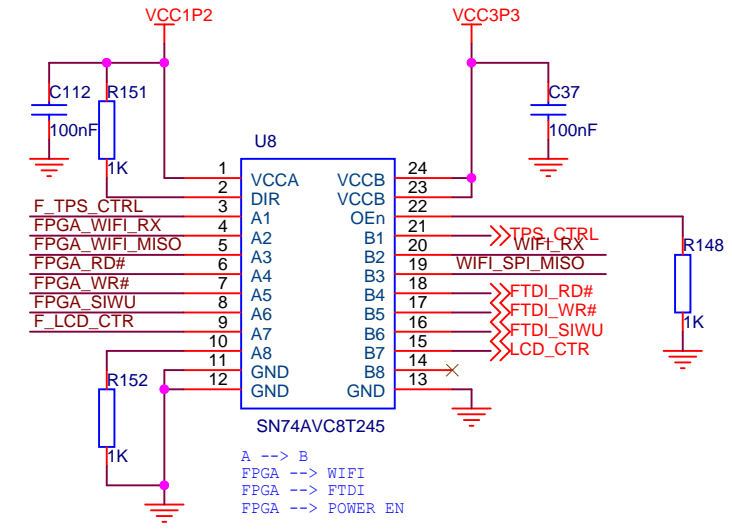
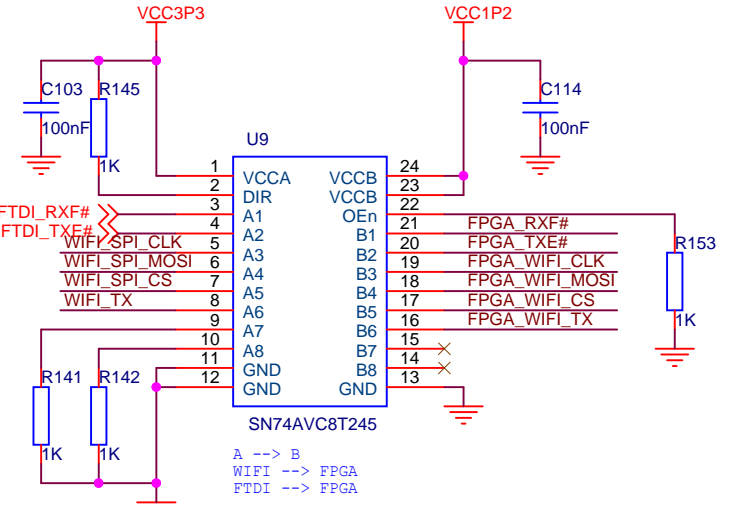
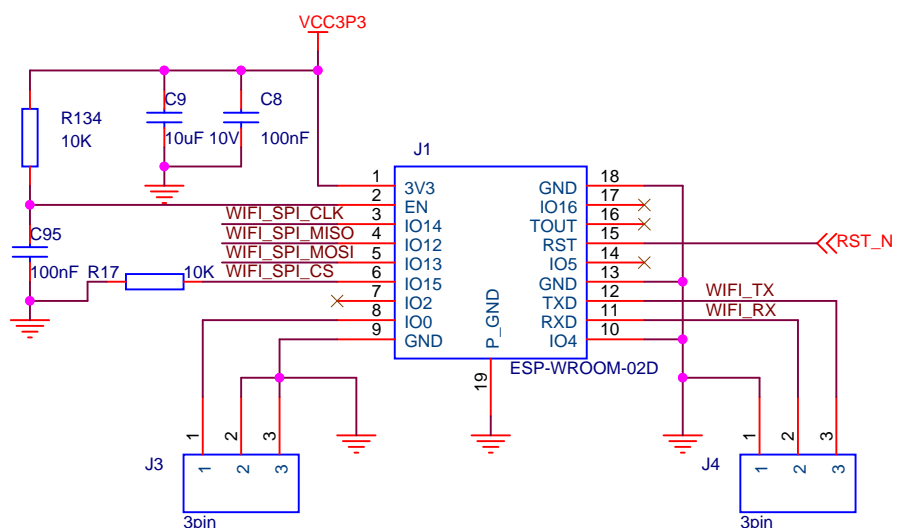
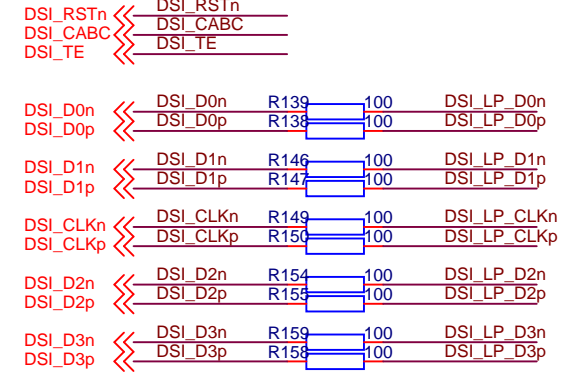
端接电阻靠近FPGA

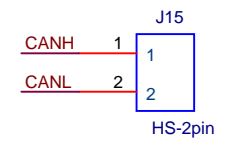
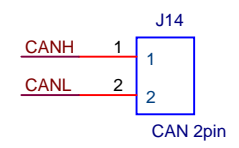
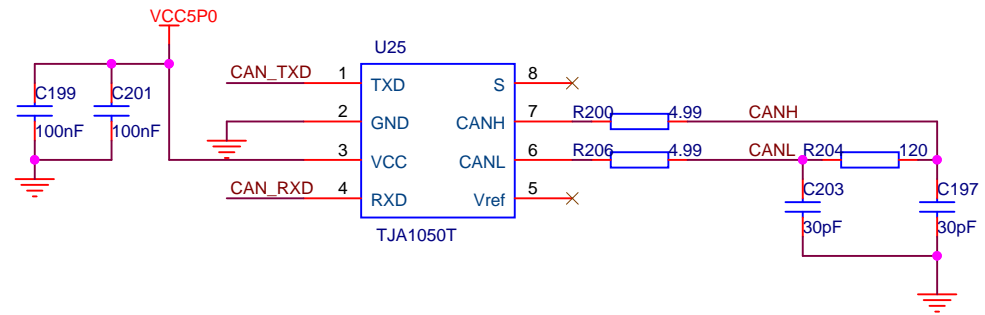
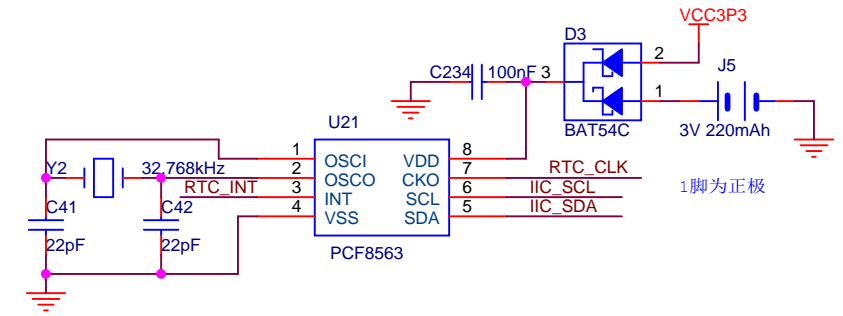
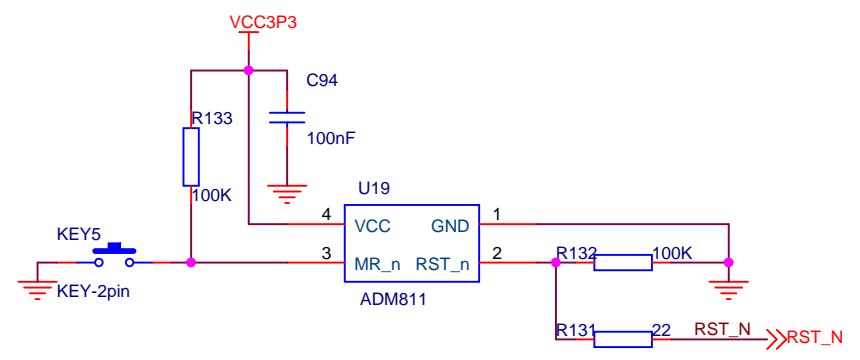
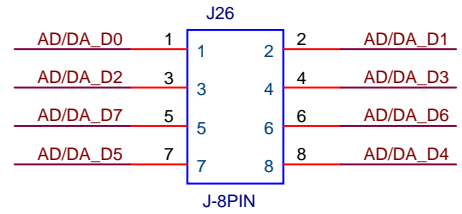
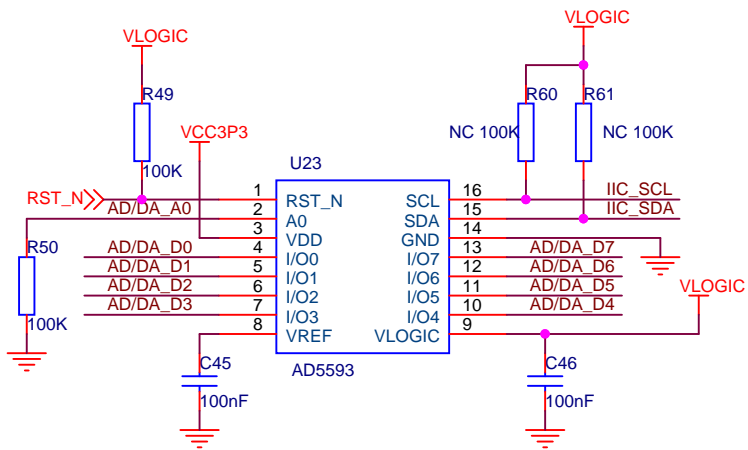
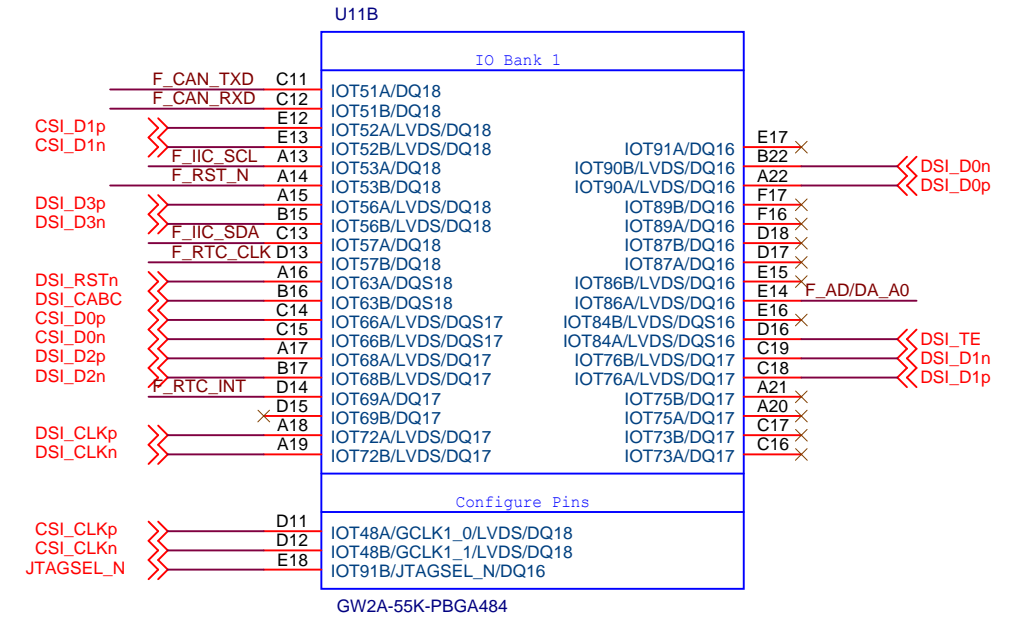
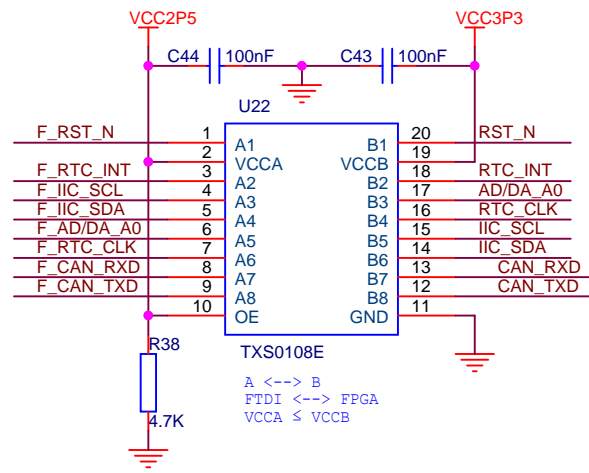


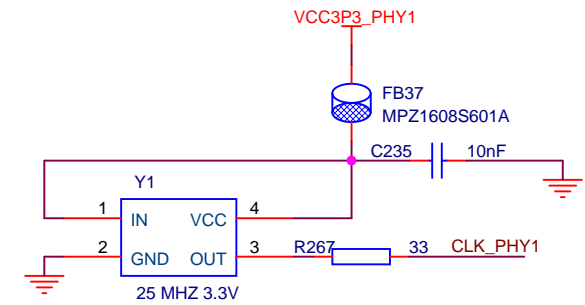
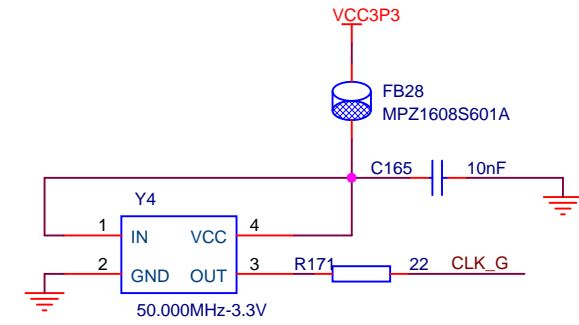
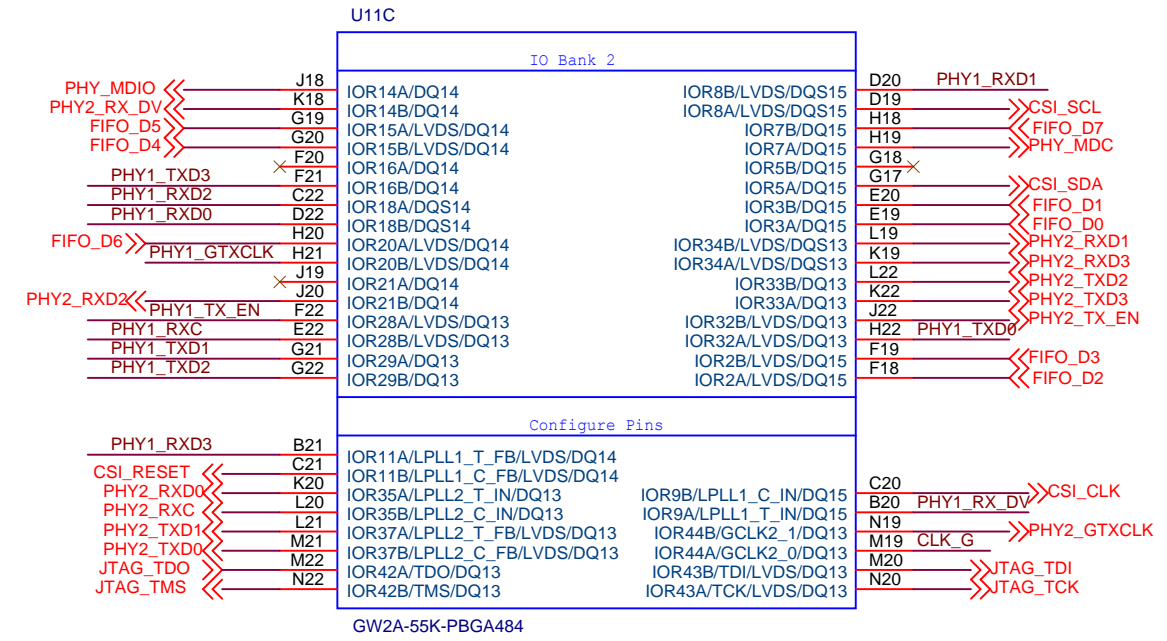
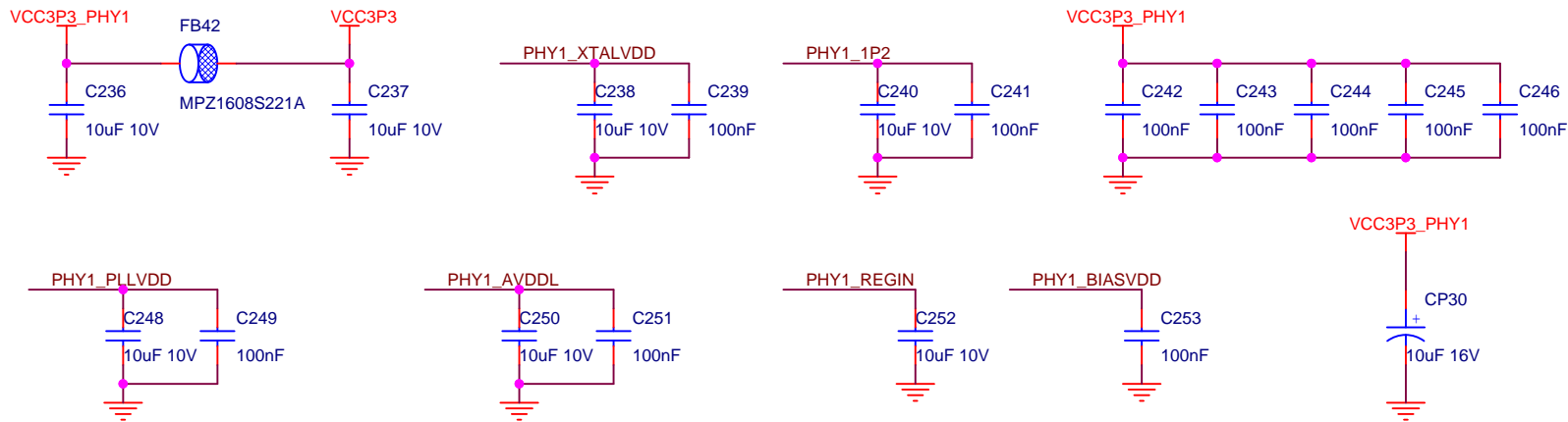
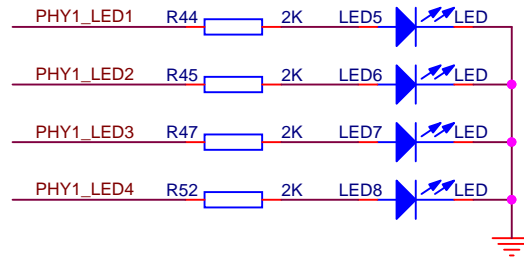
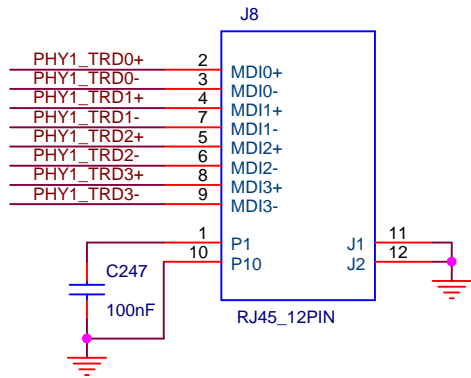
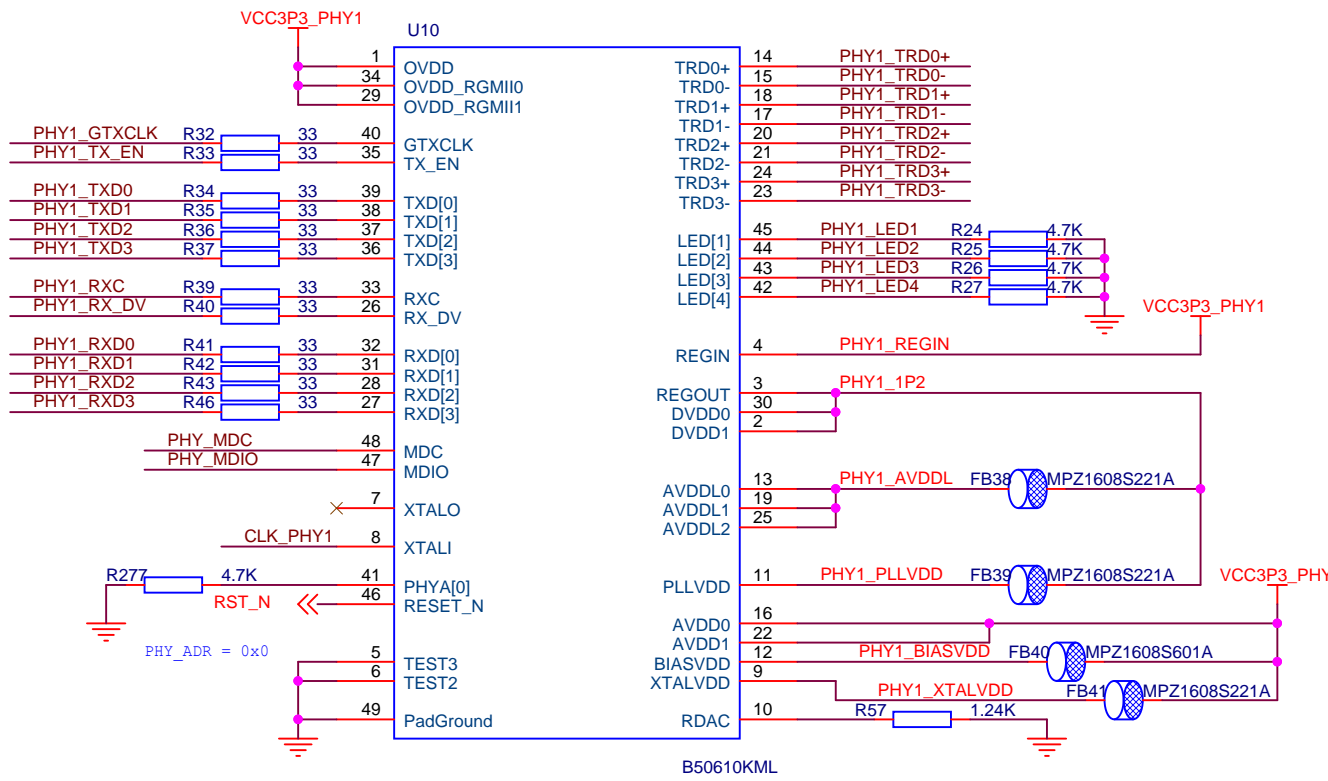
2mm间距, 无框插针, MIPI DSI

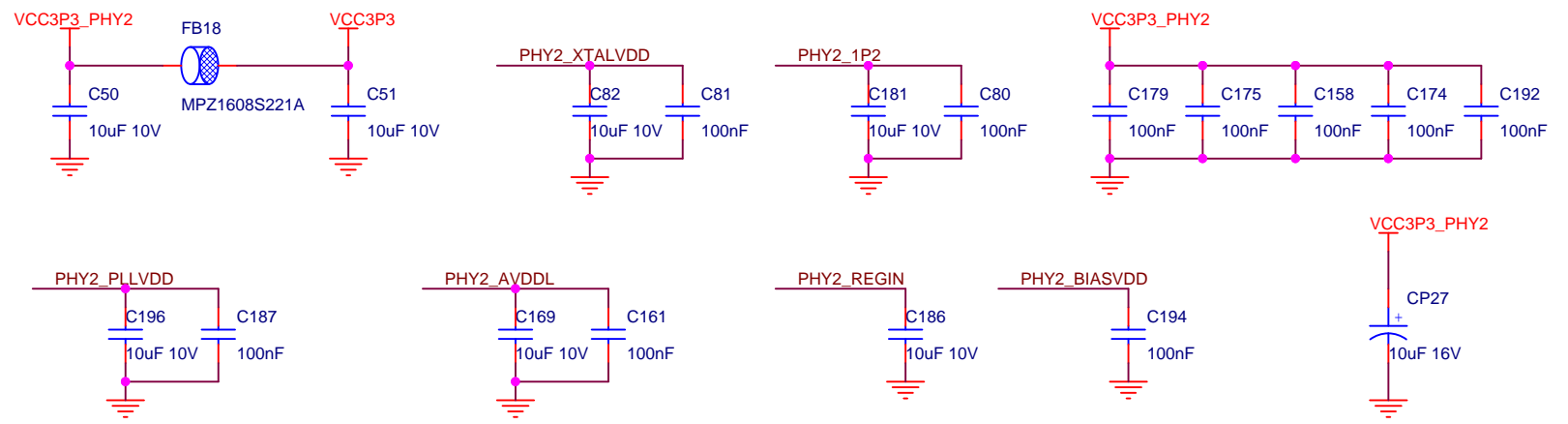
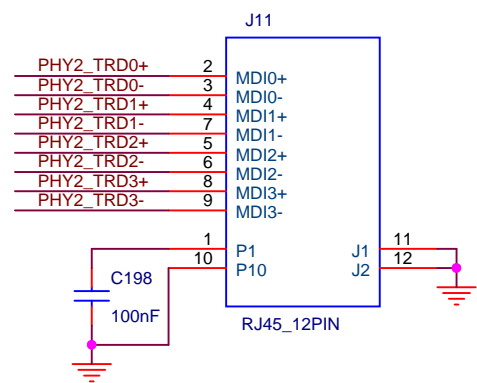
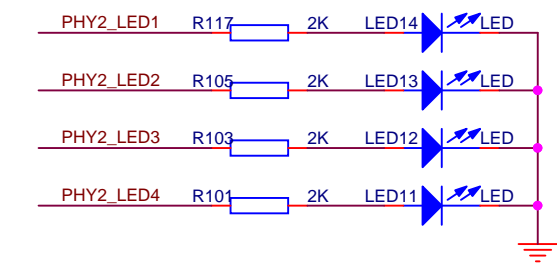
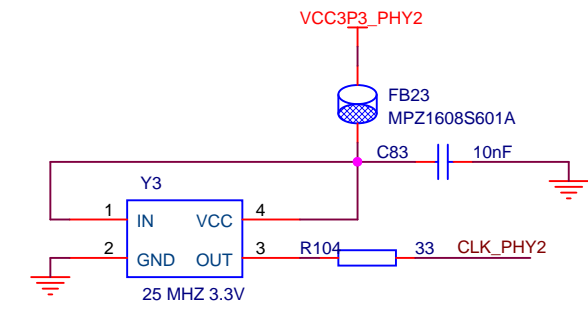
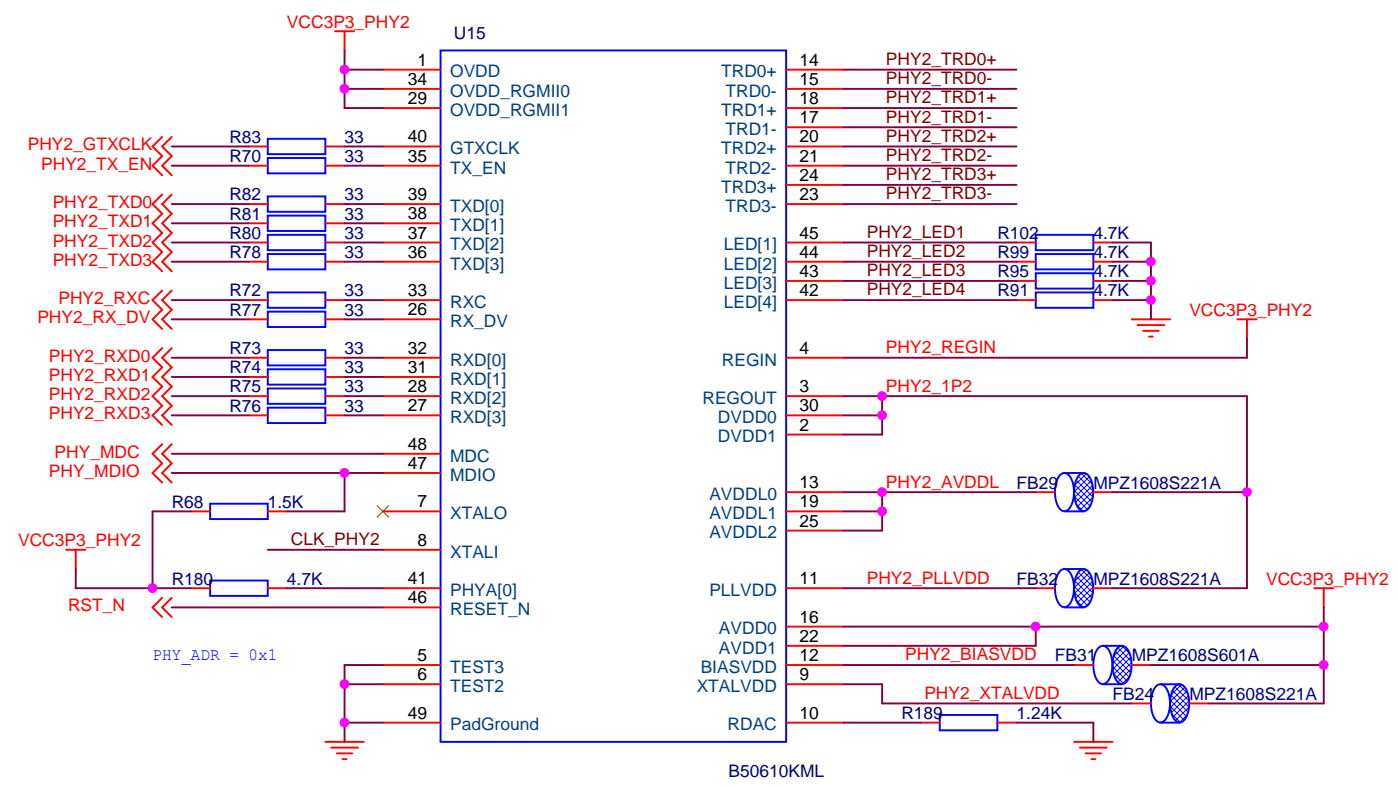


2mm间距, 无框插针, MIPI CSI

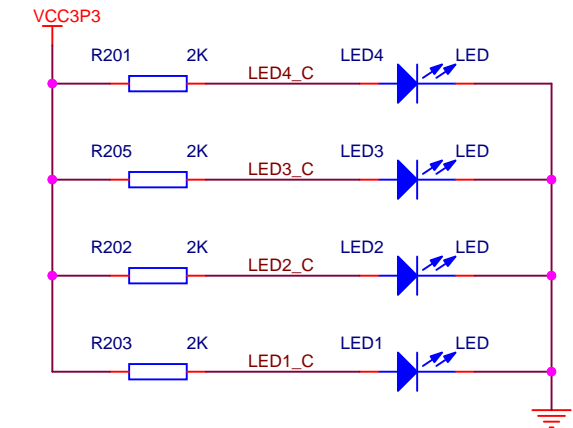
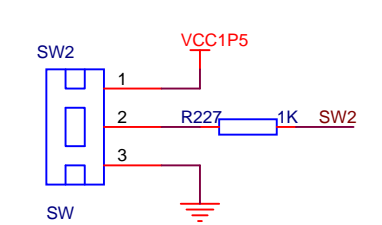
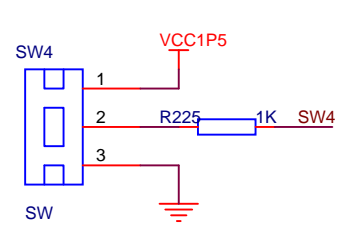
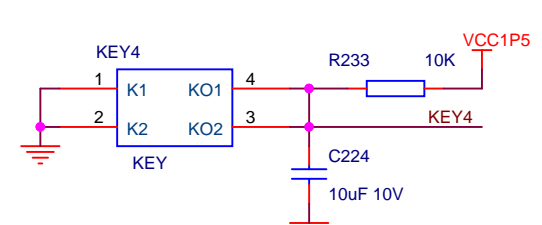
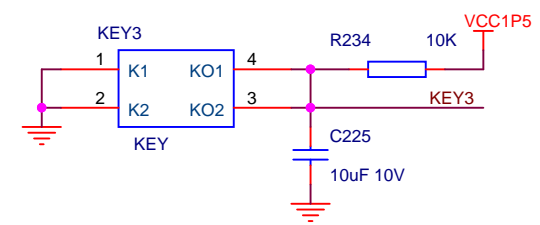
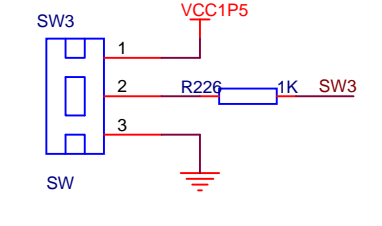
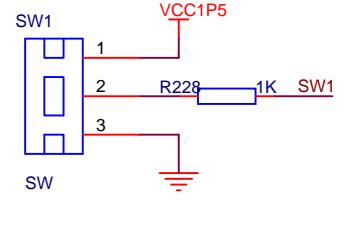
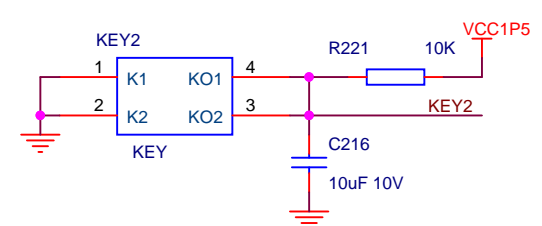
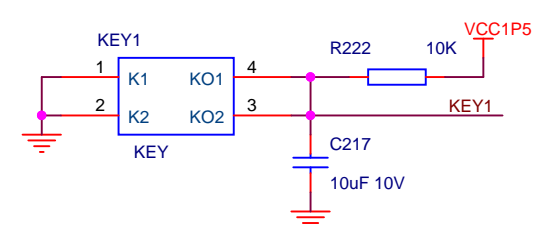
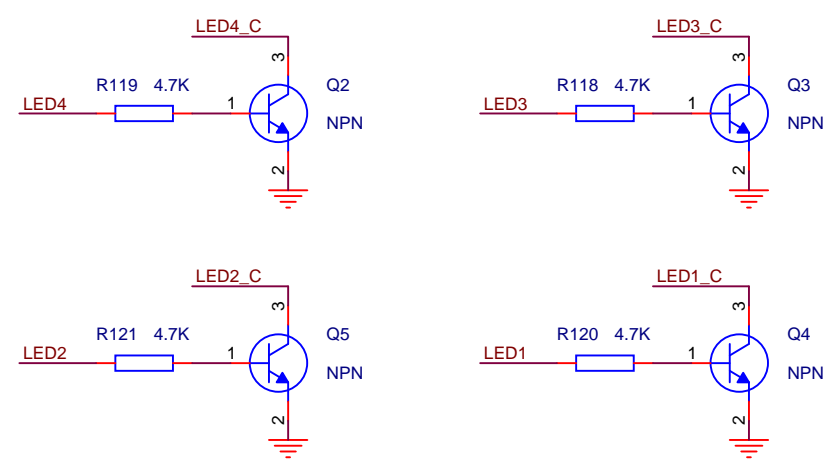
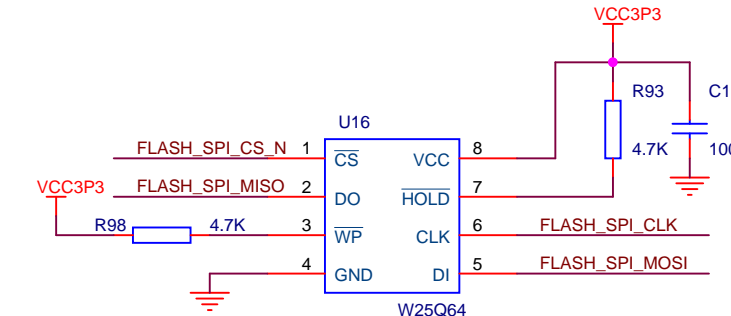
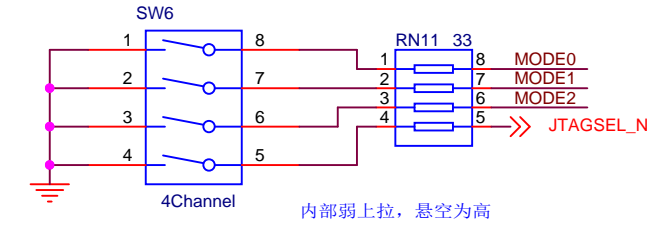
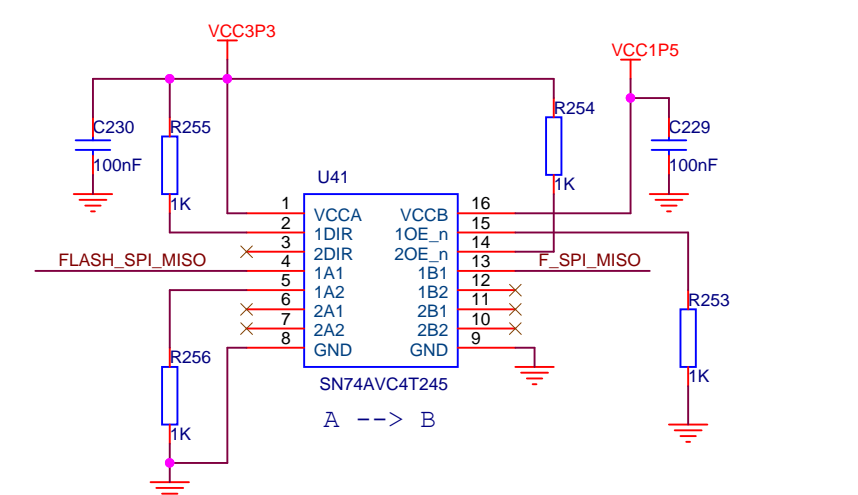
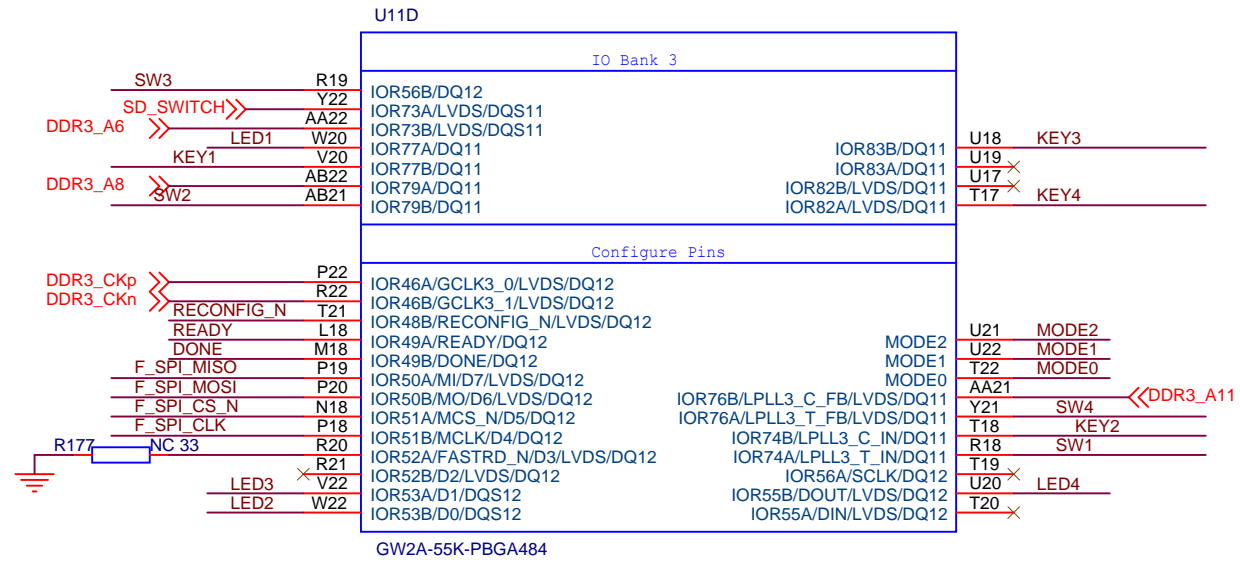
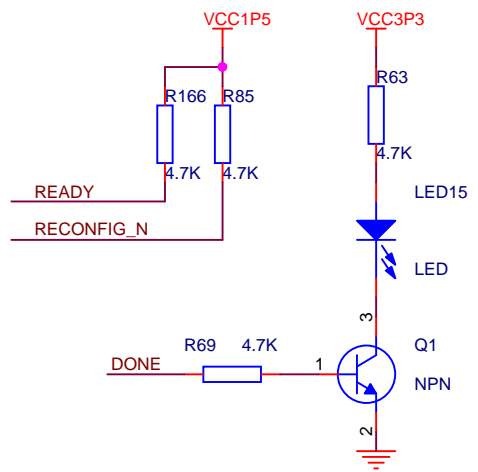
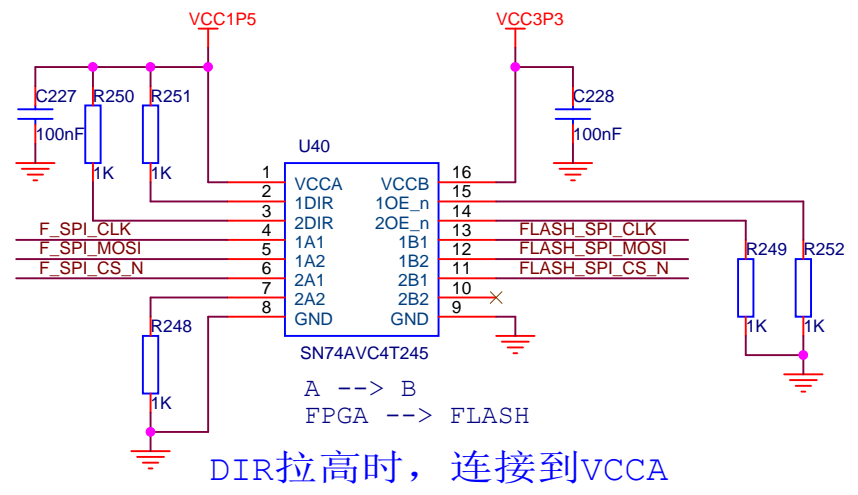


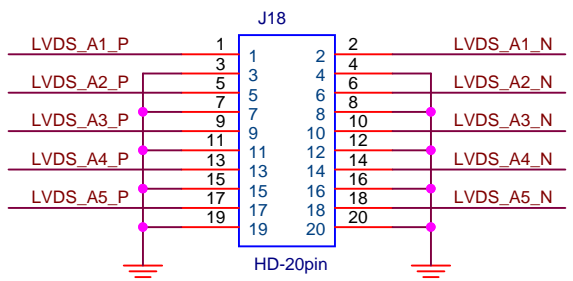




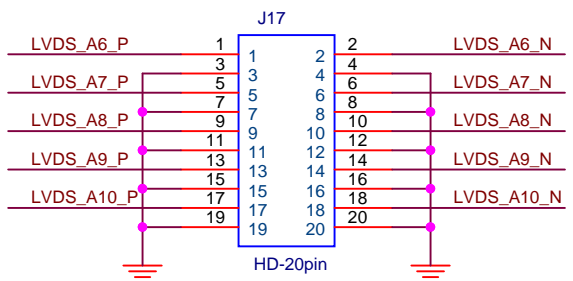




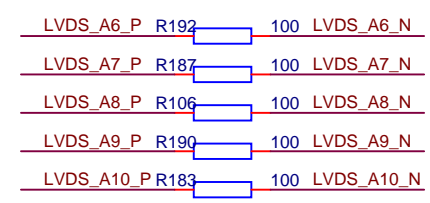
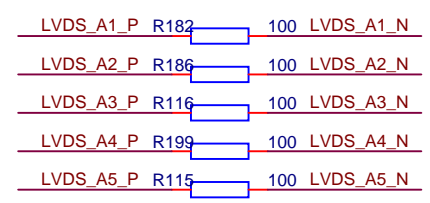




2mm间距, 无框插针, RX 1

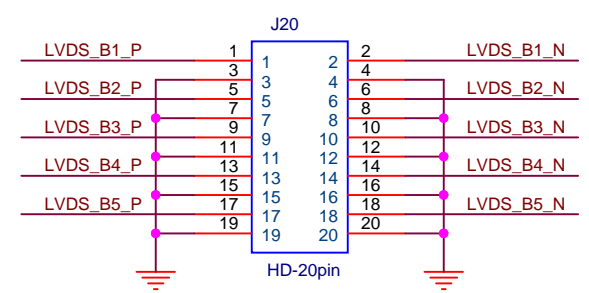


2mm间距, 无框插针, RX 2

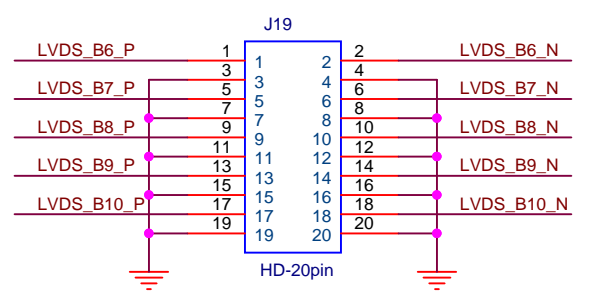


		IO Bank 4			
LVDS_A9_P	Y12	IOB51A/DQ8			
LVDS_A9_N	Y13	IOB51B/DQ8			
LVDS_B10_P	W12	IOB52A/LVDS/DQ8	IOB91B/DQ10	V19	LVDS_A1_N
LVDS_B10_N	W13	IOB52B/LVDS/DQ8	IOB91A/DQ10	V18	LVDS_A1_P
LVDS_A8_P	AB13	IOB53A/DQ8	IOB90B/LVDS/DQ10	V17	LVDS_B2_P
LVDS_A8_N	AB14	IOB53B/DQ8	IOB90A/LVDS/DQ10	Y20	LVDS_A4_N
LVDS_B6_P	AB15	IOB56A/LVDS/DQ8	IOB89B/DQ10	AA20	LVDS_A4_P
LVDS_B6_N	AA15	IOB56B/LVDS/DQ8	IOB89A/DQ10	W18	LVDS_A2_N
LVDS_A10_P	V12	IOB57A/DQ8	IOB87B/DQ10	W17	LVDS_A2_P
LVDS_A10_N	V13	IOB57B/DQ8	IOB87A/DQ10	U16	LVDS_B1_N
LVDS_A6_P	Y14	IOB63A/DQS8	IOB86B/LVDS/DQ10	V16	LVDS_B1_P
LVDS_A6_N	Y15	IOB63B/DQS8	IOB86A/LVDS/DQ10	Y18	LVDS_B3_N
LVDS_B5_P	AB16	IOB66A/LVDS/DQS9	IOB84B/LVDS/DQS10	Y19	LVDS_B3_P
LVDS_B5_N	AA16	IOB66B/LVDS/DQS9	IOB84A/LVDS/DQS10	Y16	LVDS_B7_N
LVDS_B8_P	V14	IOB68A/LVDS/DQ9	IOB76B/LVDS/DQ9	Y16	LVDS_B7_P
LVDS_B8_N	V15	IOB68B/LVDS/DQ9	IOB76A/LVDS/DQ9	AB20	LVDS_A3_N
LVDS_A5_P	AB17	IOB69A/DQ9	IOB75B/DQ9	AB19	LVDS_A3_P
LVDS_A5_N	AB18	IOB69B/DQ9	IOB75A/DQ9	W15	LVDS_A7_N
LVDS_B4_P	AA17	IOB72A/LVDS/DQ9	IOB73B/DQ9	W14	LVDS_A7_P
LVDS_B4_N	Y17	IOB72B/LVDS/DQ9	IOB73A/DQ9		
		Configure Pins			
LVDS_B9_P	AB12	IOB48A/GCLK4_0/LVDS/DQ8			
LVDS_B9_N	AA12	IOB48B/GCLK4_1/LVDS/DQ8			

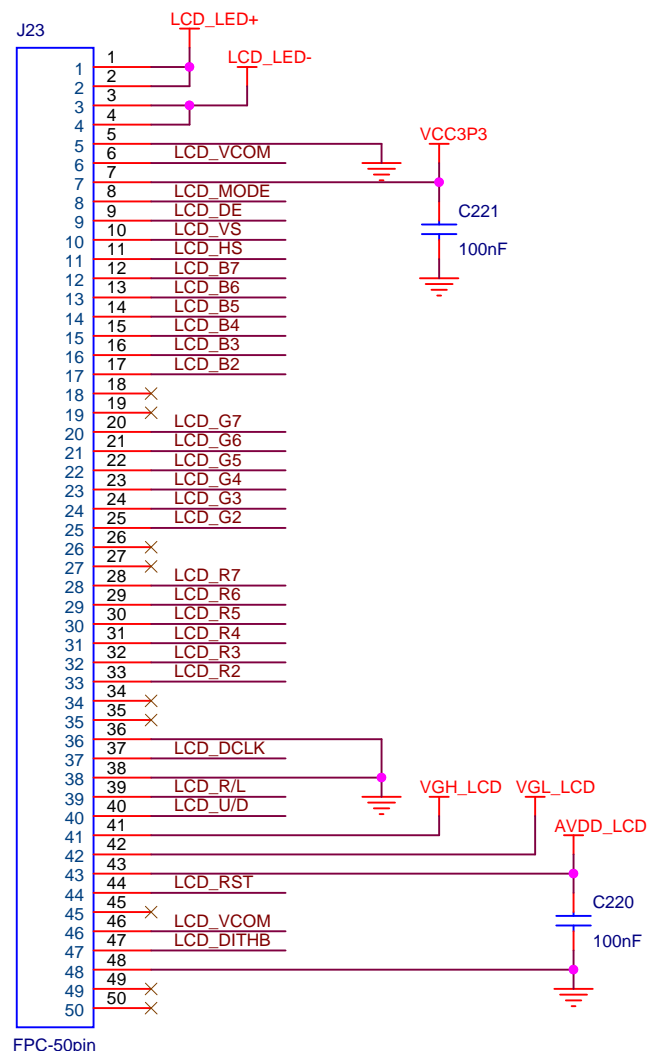
GW2A-55K-PBGA484



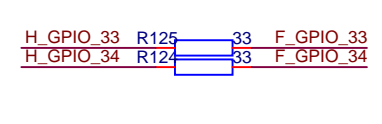
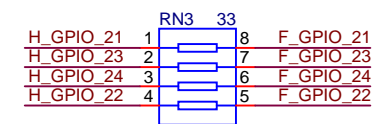
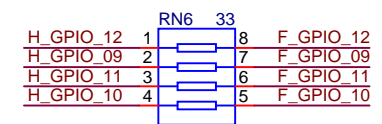
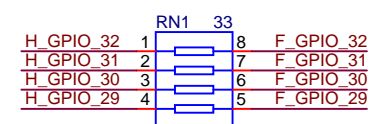
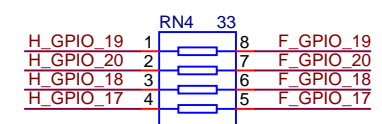
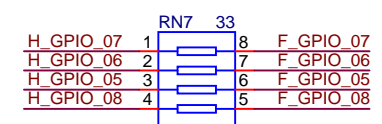
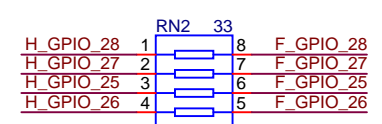
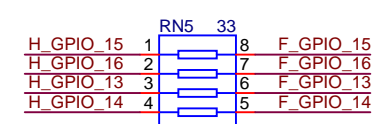
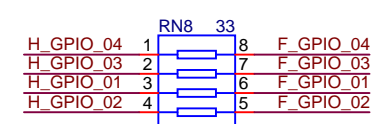
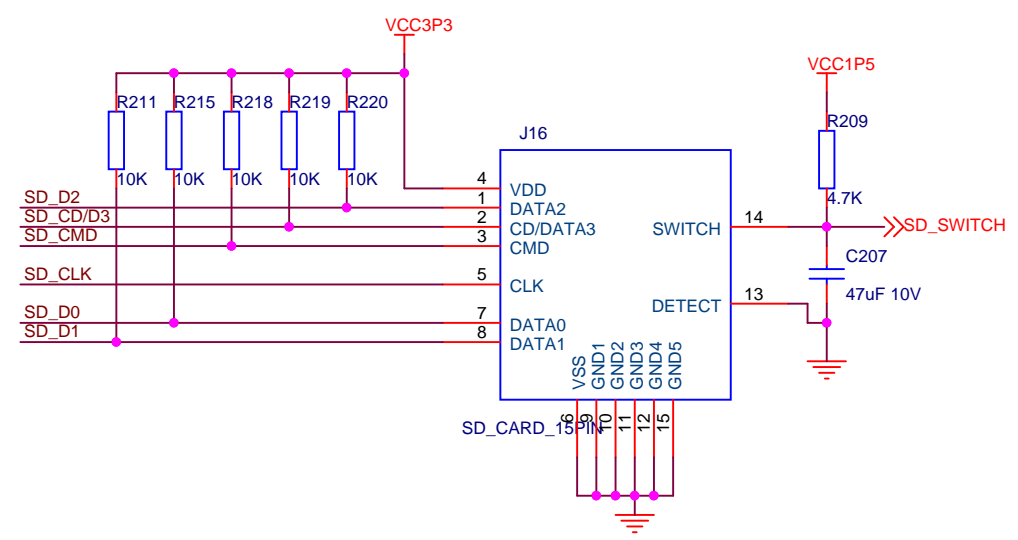
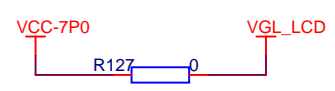
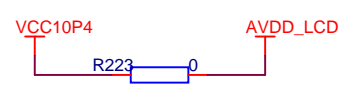
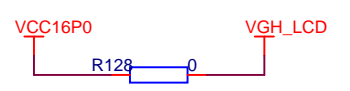
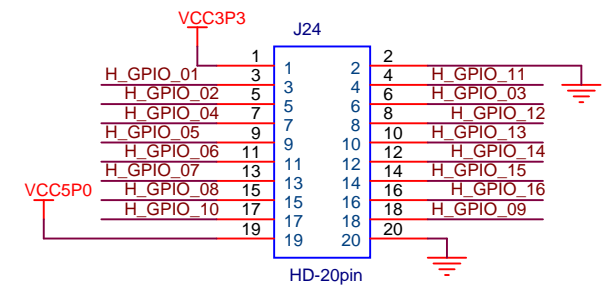
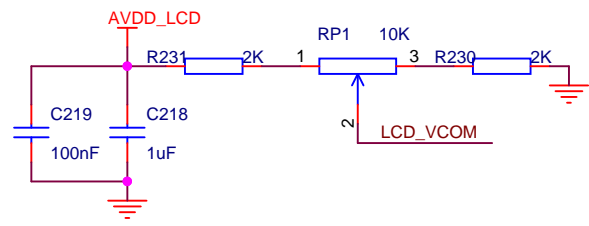
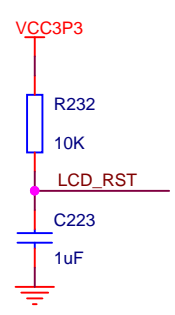
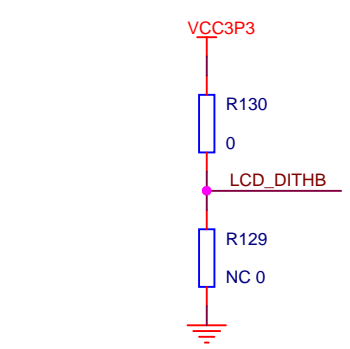
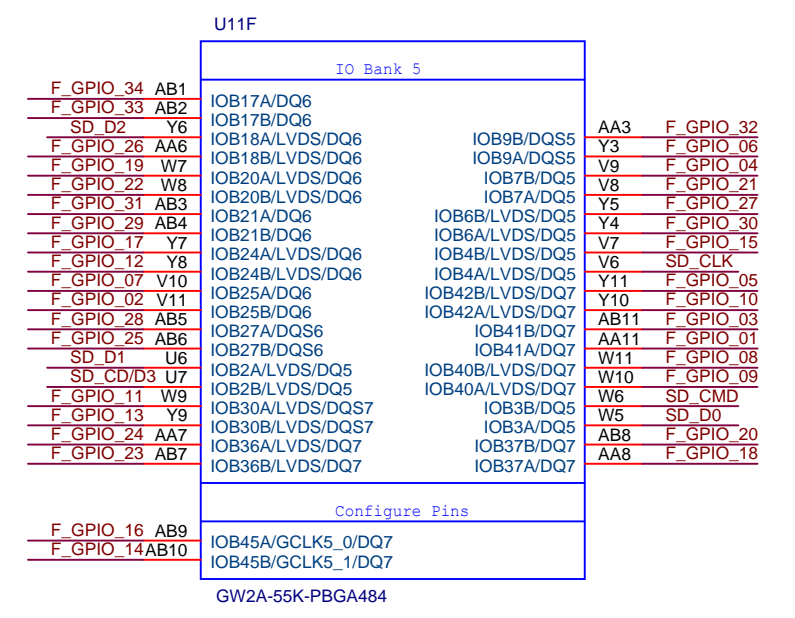
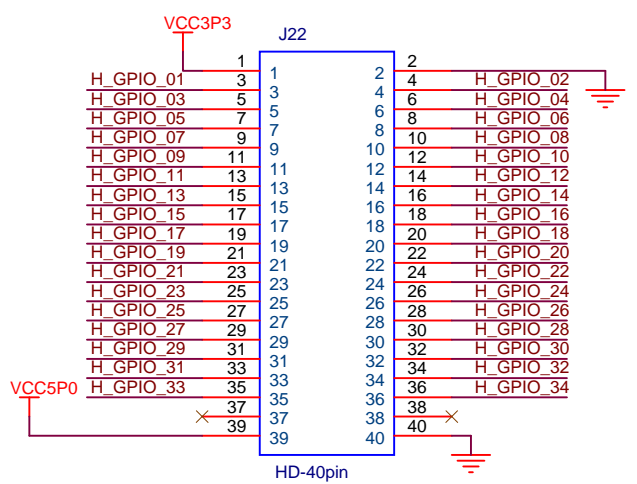
2mm间距, 无框插针, TX 1

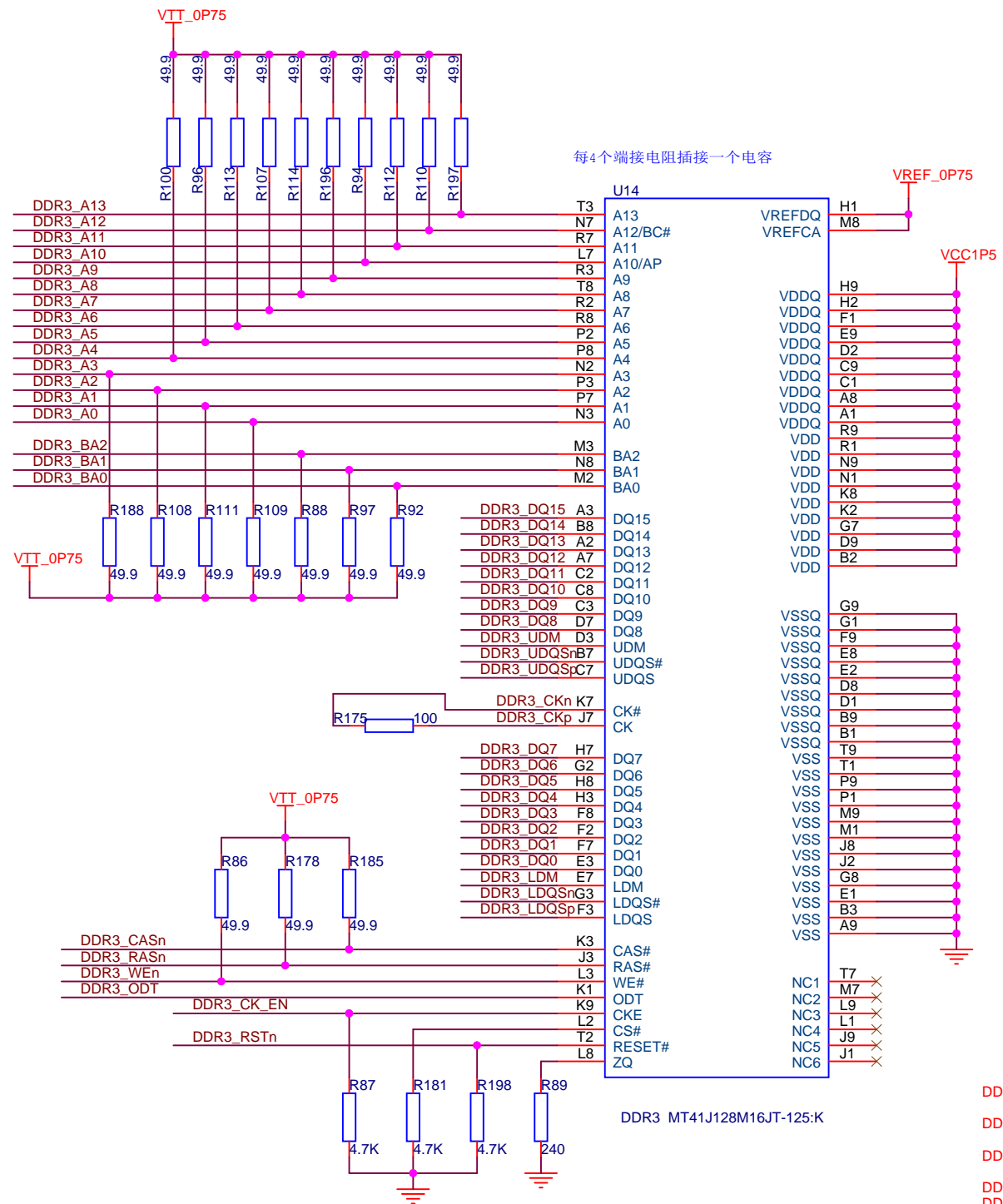


2mm间距, 无框插针, TX 2

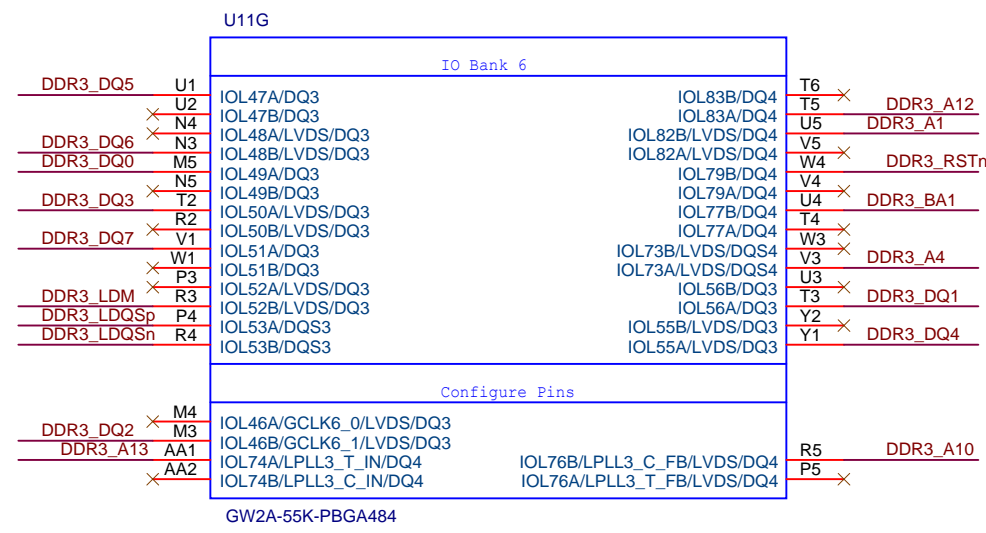


LCD_MODE	H_GPIO_09
LCD_DE	H_GPIO_12
LCD_VS	H_GPIO_11
LCD_HS	H_GPIO_14
LCD_B7	H_GPIO_13
LCD_B6	H_GPIO_16
LCD_B5	H_GPIO_15
LCD_B4	H_GPIO_18
LCD_B3	H_GPIO_17
LCD_B2	H_GPIO_22
LCD_G7	H_GPIO_21
LCD_G6	H_GPIO_20
LCD_G5	H_GPIO_19
LCD_G4	H_GPIO_24
LCD_G3	H_GPIO_23
LCD_G2	H_GPIO_26
LCD_R7	H_GPIO_25
LCD_R6	H_GPIO_28
LCD_R5	H_GPIO_27
LCD_R4	H_GPIO_30
LCD_R3	H_GPIO_29
LCD_R2	H_GPIO_34
LCD_DCLK	H_GPIO_33
LCD R/L	H_GPIO_32
LCD U/D	H_GPIO_31





- DDR3\_A11 >> DDR3\_A11
- DDR3\_A8 >> DDR3\_A8
- DDR3\_A6 >> DDR3\_A6
- DDR3\_CkN >> DDR3\_CkN
- DDR3\_CkP >> DDR3\_CkP



DQ[7:0], LDQSn, LDQSp和LDM分配在Bank6的DQ3  
 DQ15:8], UDQSn, UDQSp和UDM分配在Bank7的DQ2

