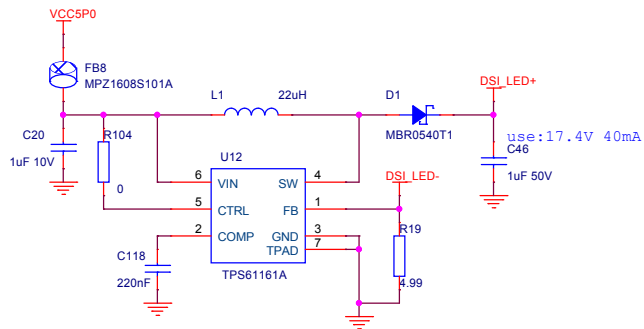
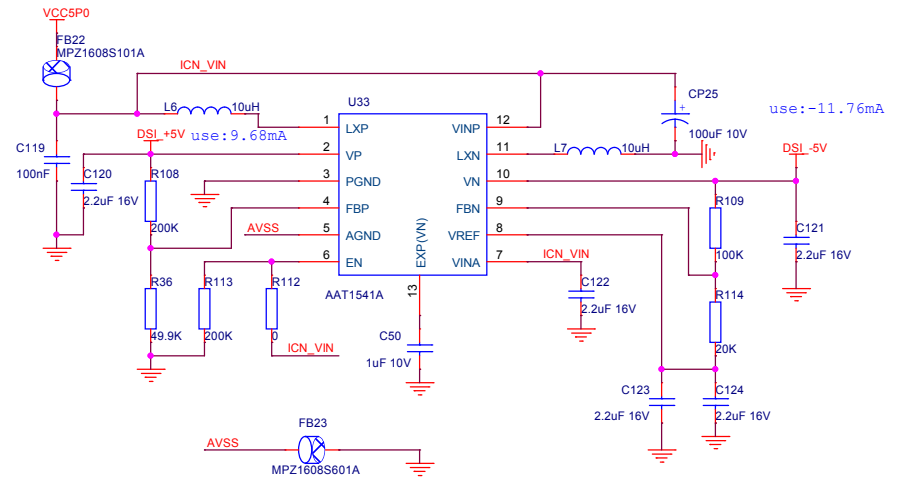
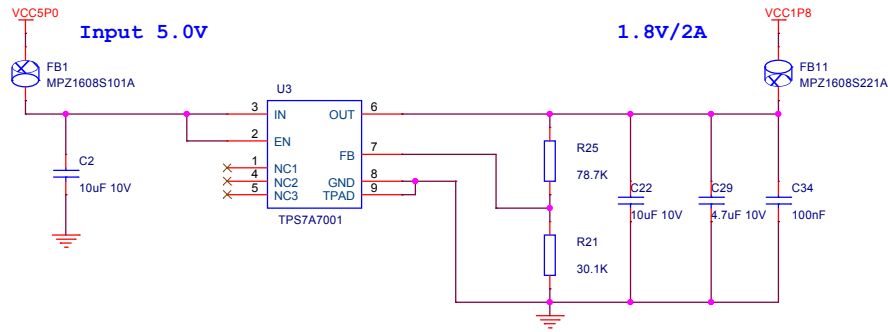
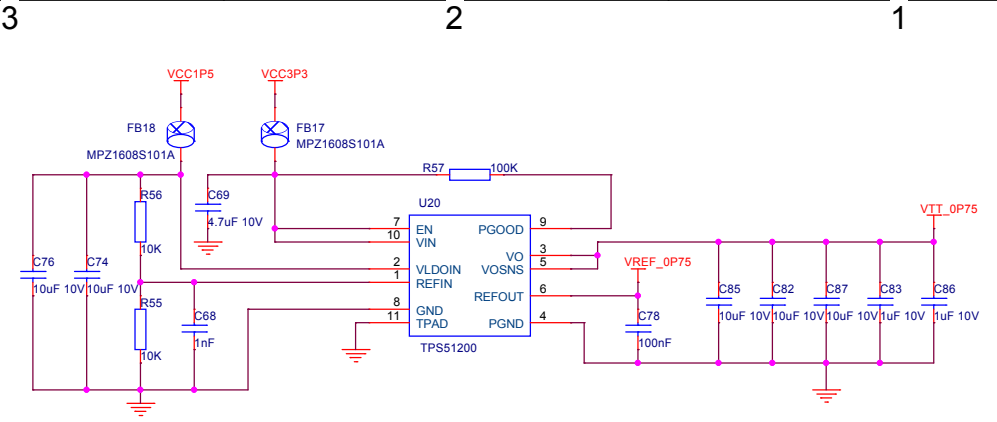
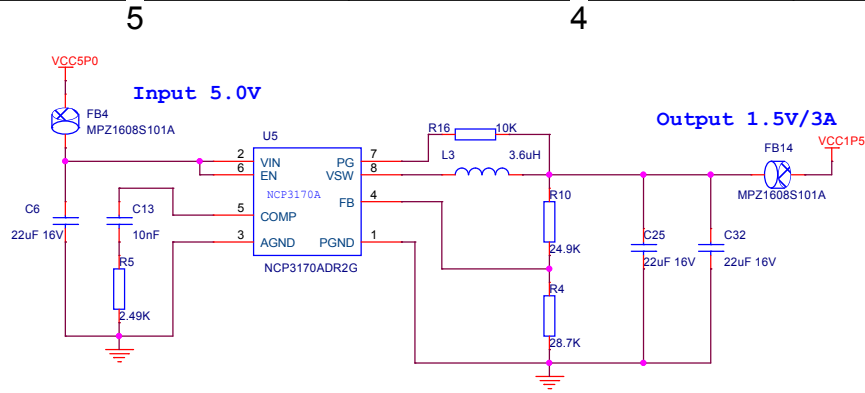
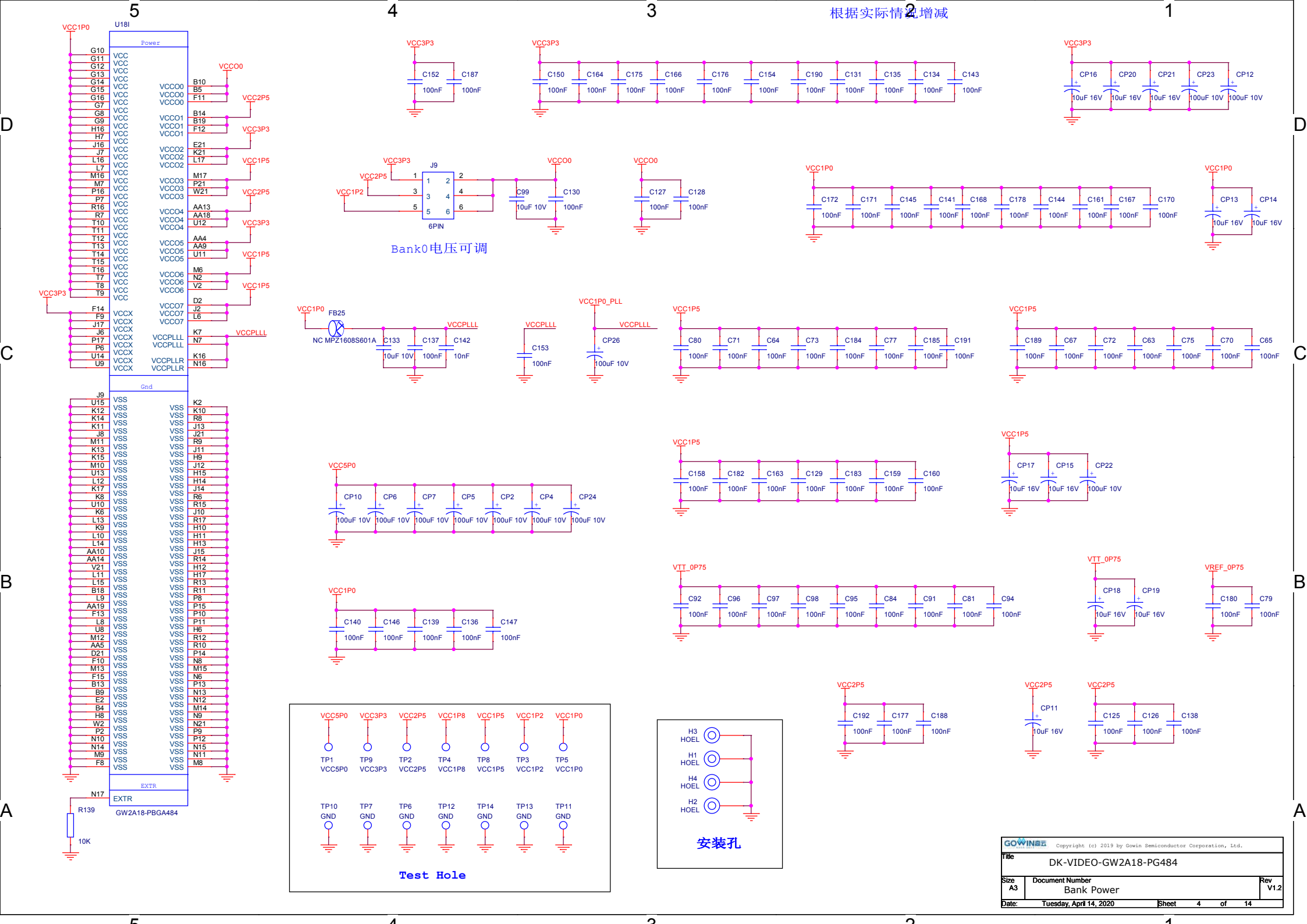


GOWINSE Copyright (c) 2019 by Gowin Semiconductor Corporation, Ltd.		
Title DK-VIDEO-GW2A18-PG484		
Size A3	Document Number Power1	Rev V1.2
Date: Tuesday, April 14, 2020	Sheet 2	of 14



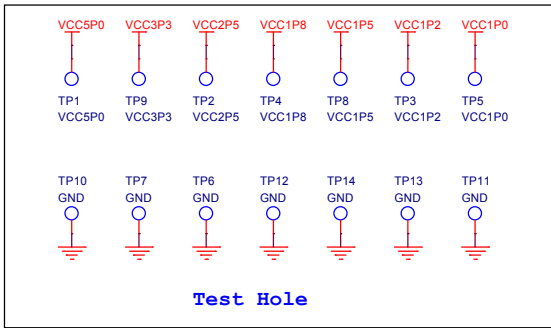
GOWINSE Copyright (c) 2019 by Gowin Semiconductor Corporation, Ltd.		
Title DK-VIDEO-GW2A18-PG484		
Size A3	Document Number Power2	Rev V1.2
Date: Tuesday, April 14, 2020	Sheet 3	of 14



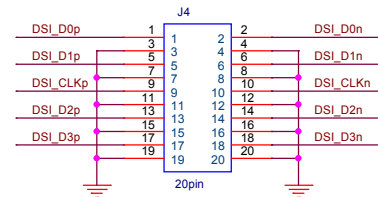
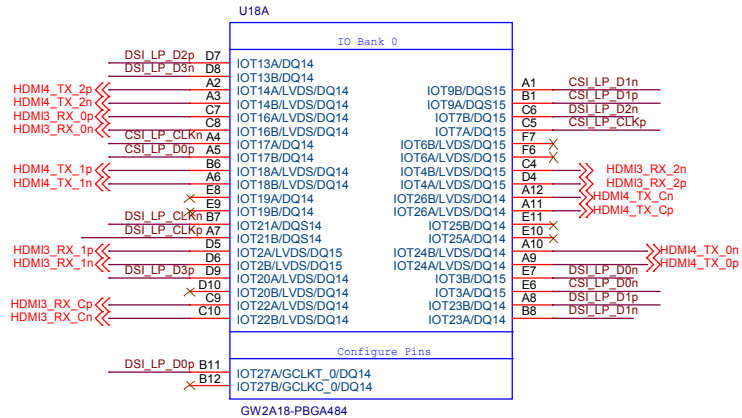
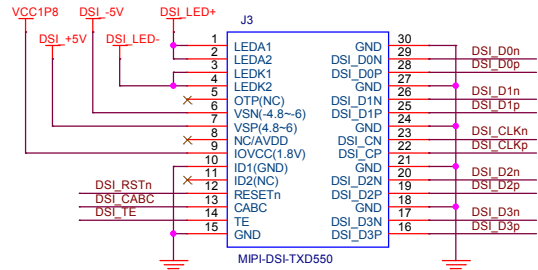
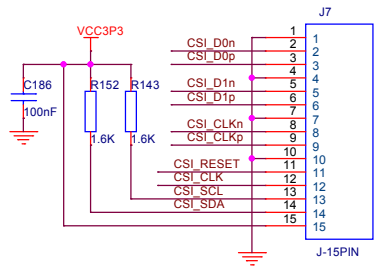
根据实际情况增减

Bank0电压可调

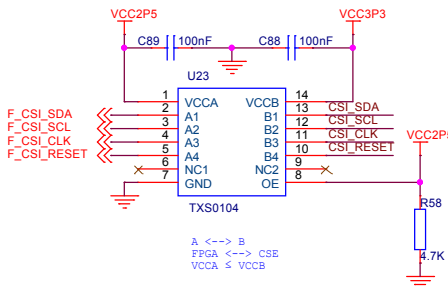
安装孔



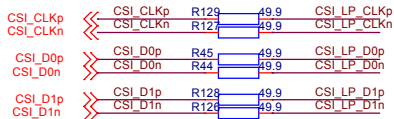
GOWIN		
Copyright (c) 2019 by Gowin Semiconductor Corporation, Ltd.		
File DK-VIDEO-GW2A18-PG484		
Size A3	Document Number Bank Power	Rev V1.2
Date: Tuesday, April 14, 2020	Sheet 4	of 14



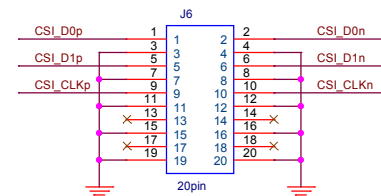
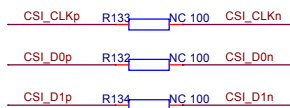
2mm间距, 无框插针, MIPI DSI



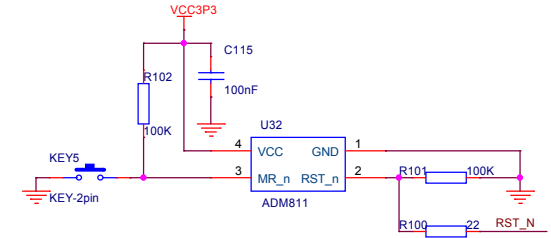
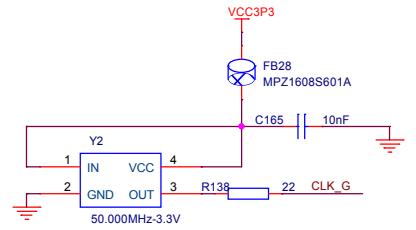
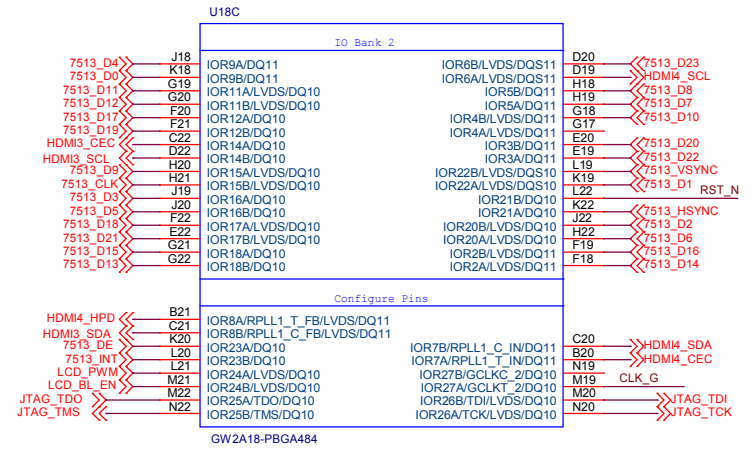
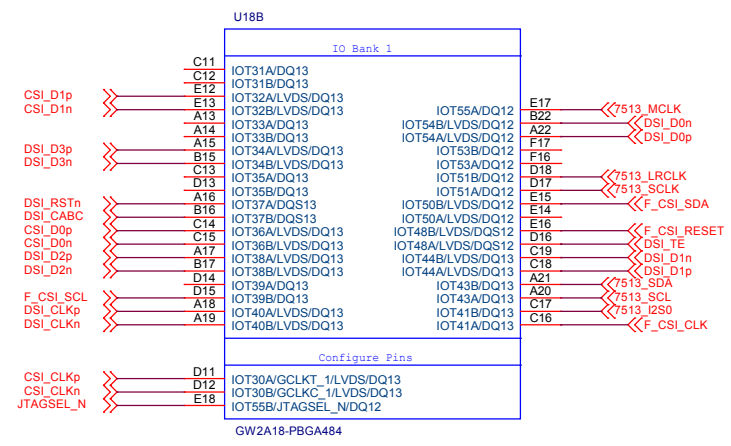
端接电阻靠近FPGA

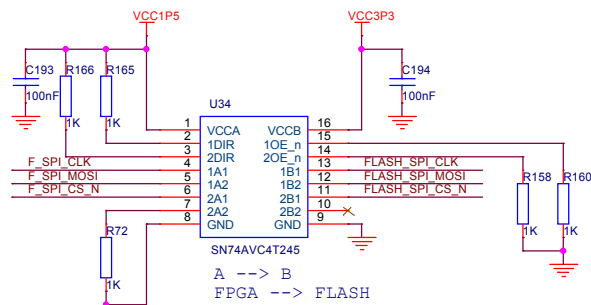


端接电阻靠近FPGA

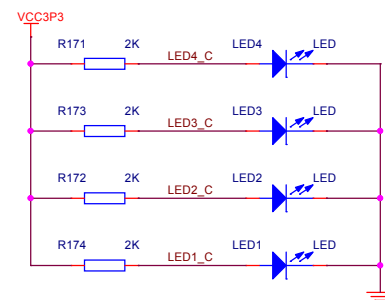
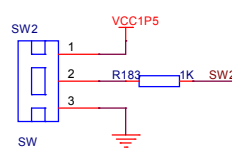
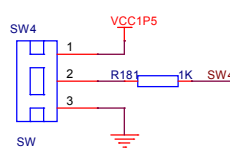
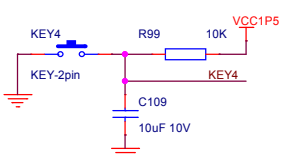
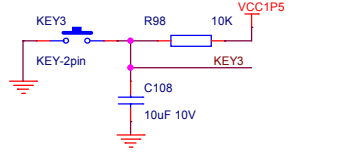
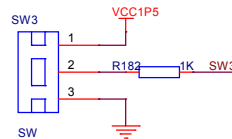
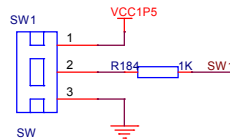
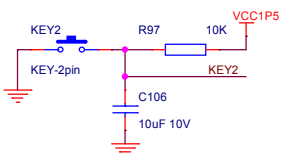
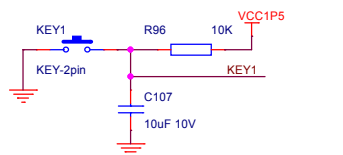
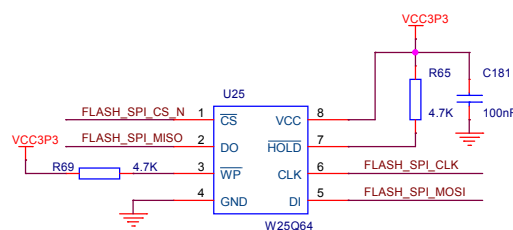
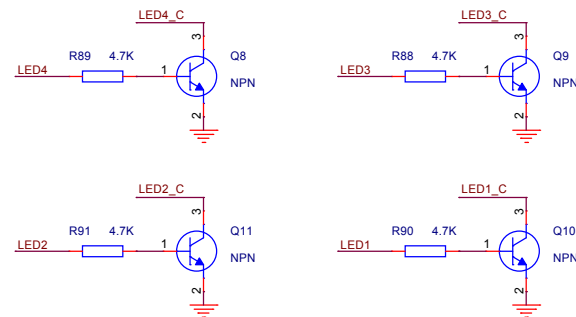
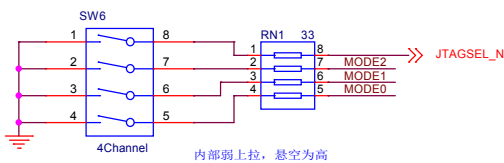
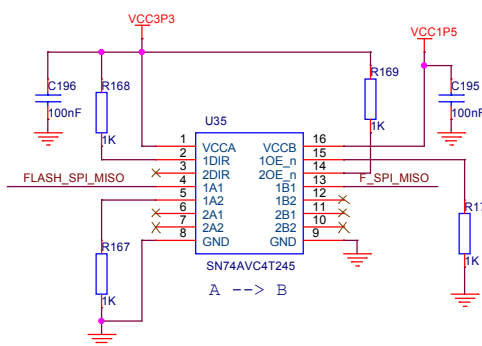
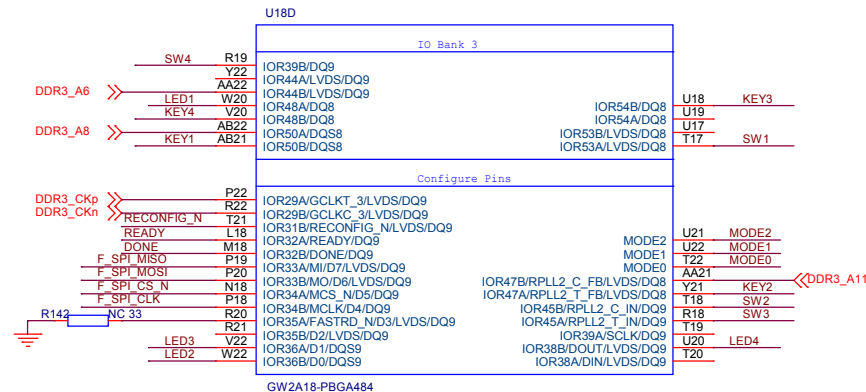
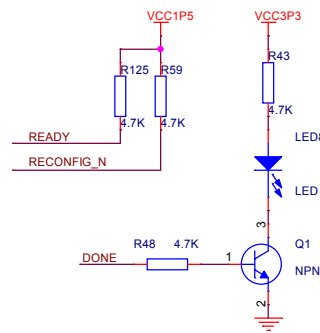


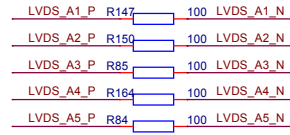
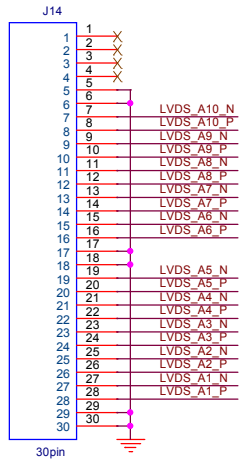
2mm间距, 无框插针, MIPI CSI



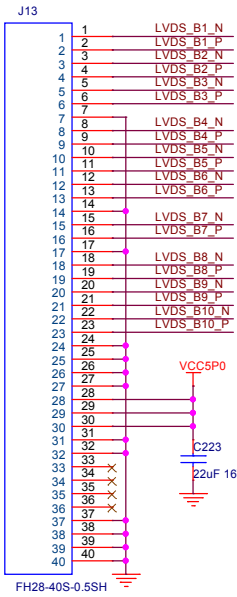
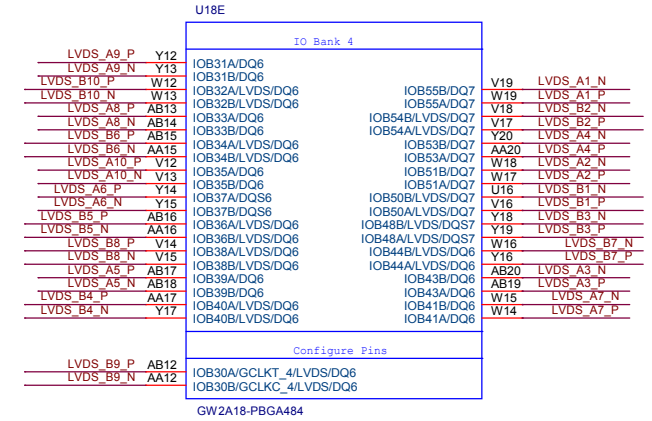
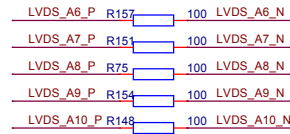


DIR拉高时，连接到VCCA

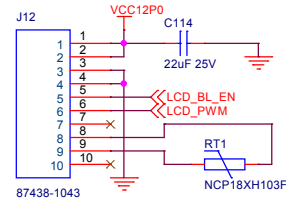




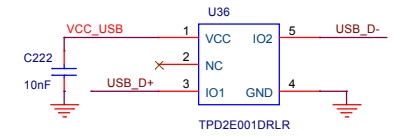
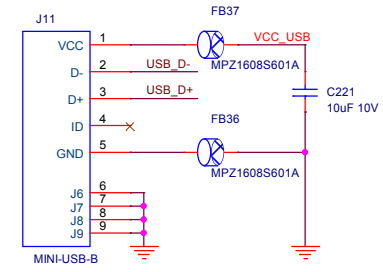
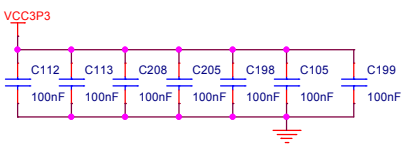
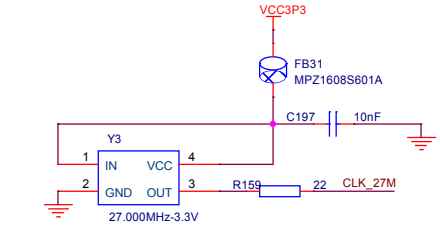
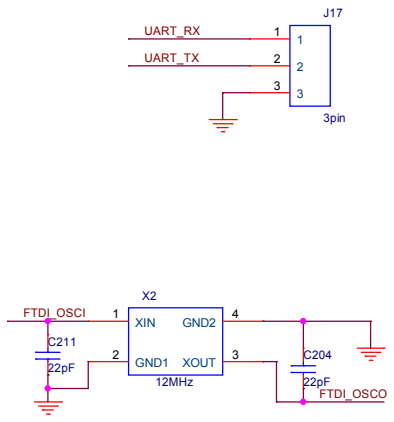
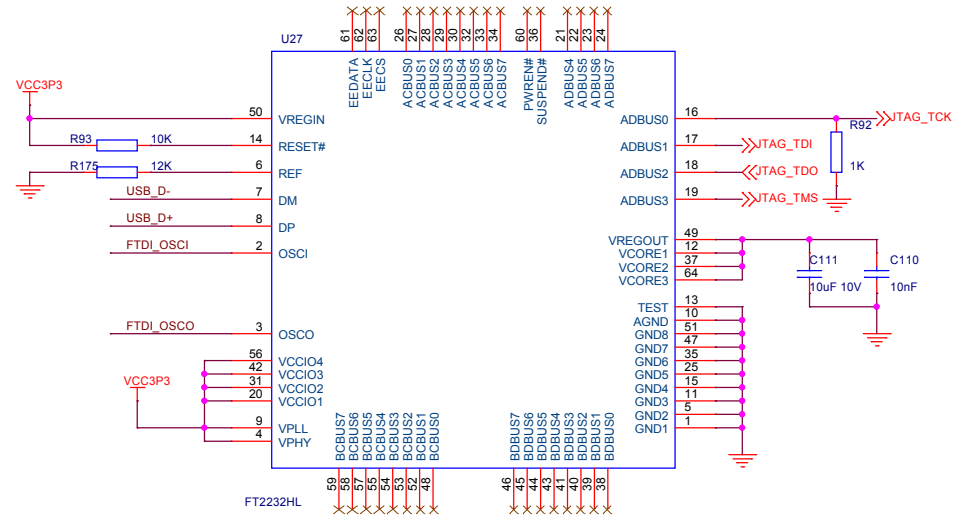
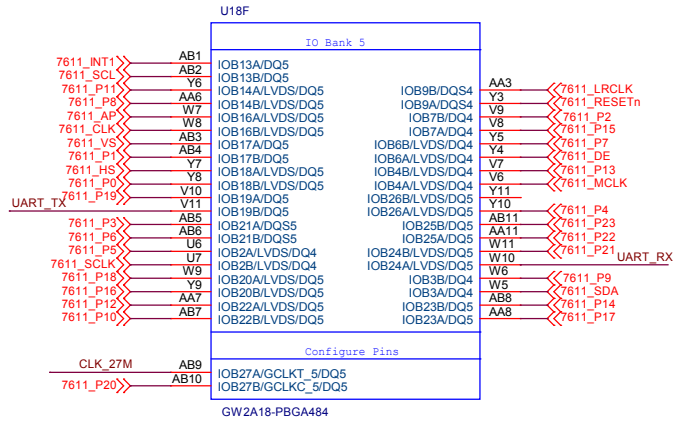
LVDS RX

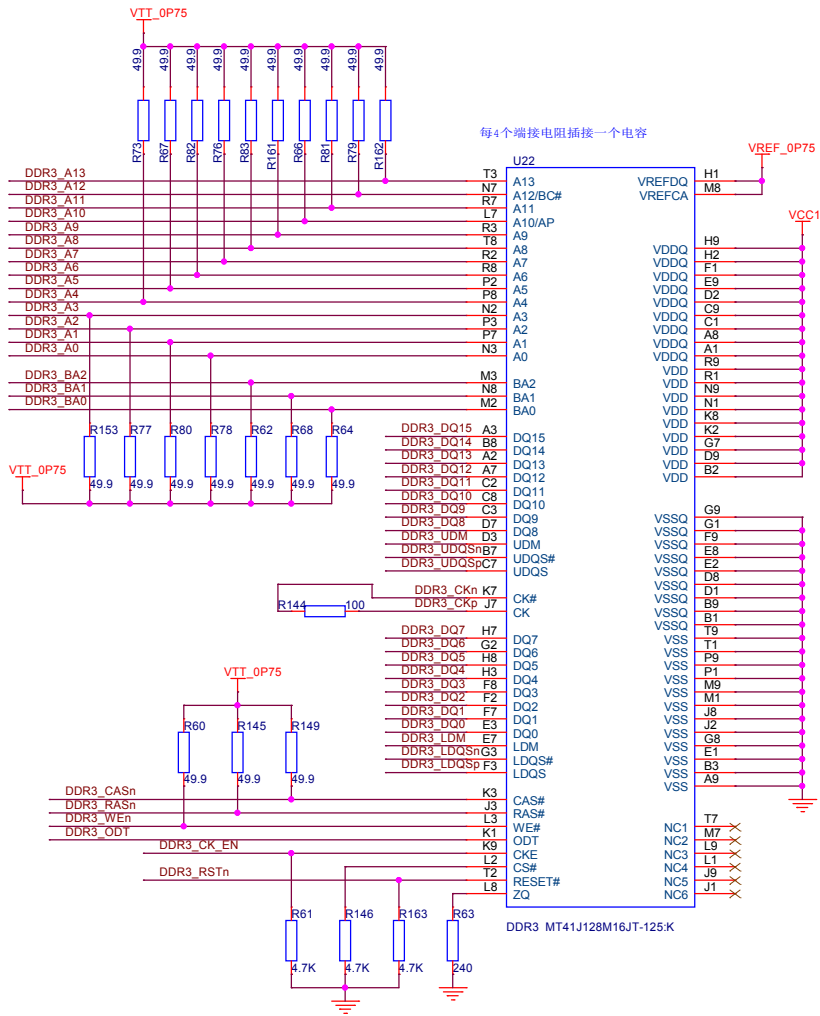


LVDS TX

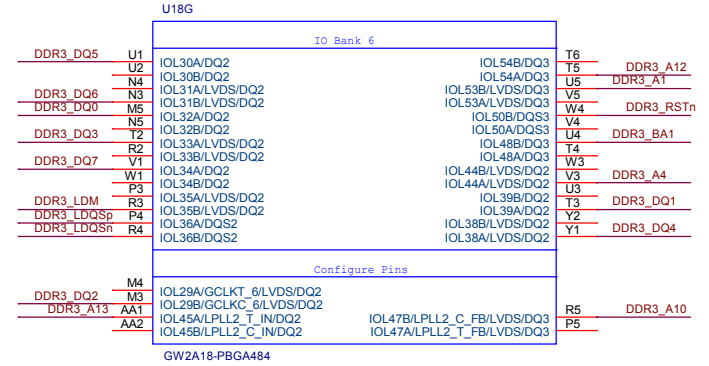




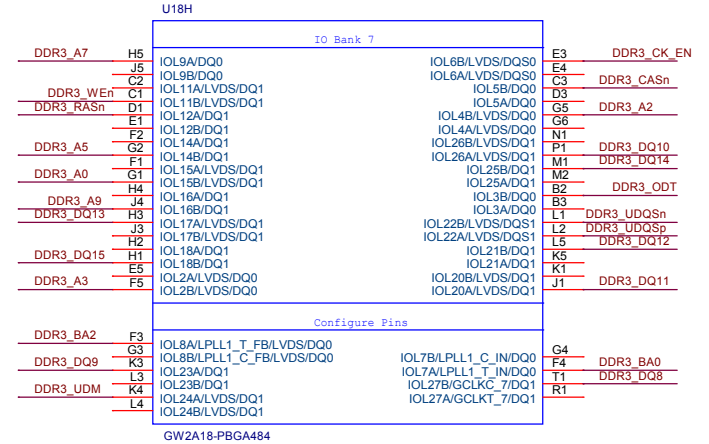


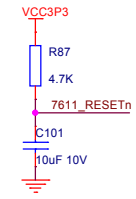
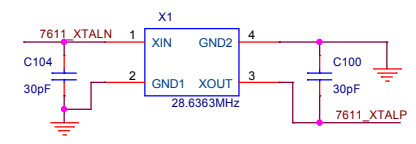
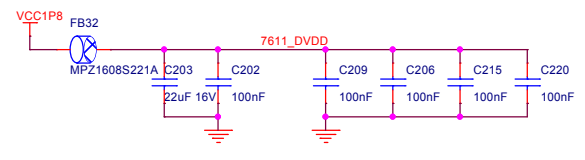
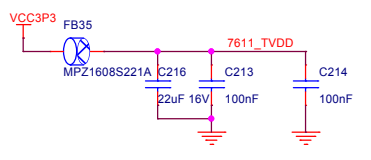
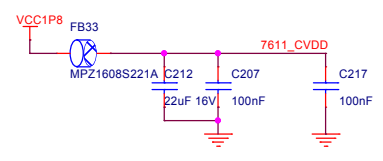
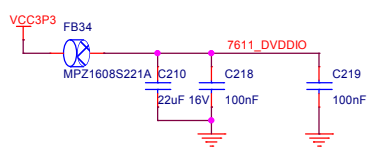
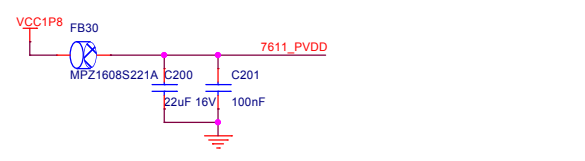
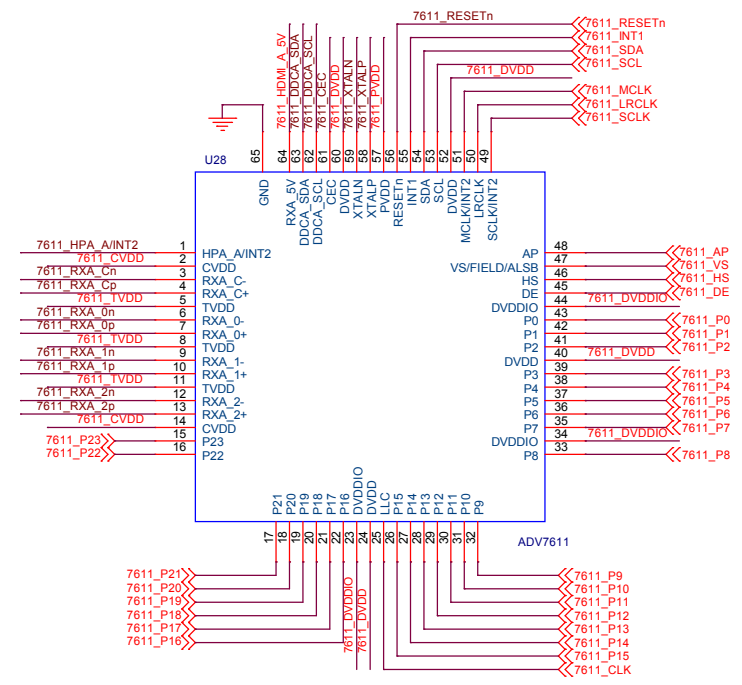
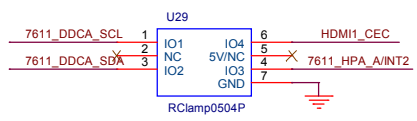
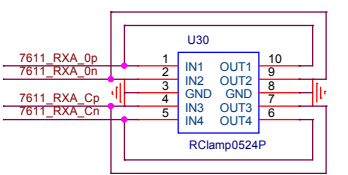
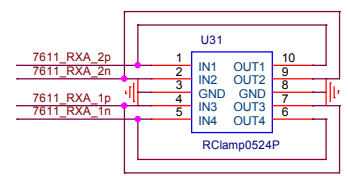
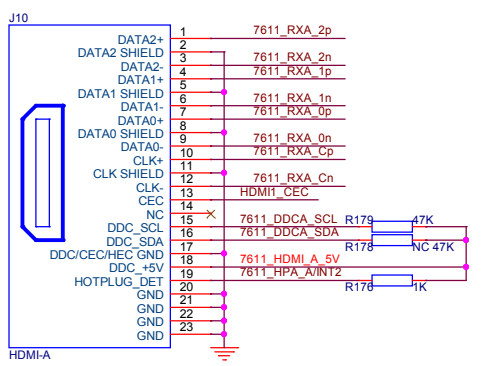
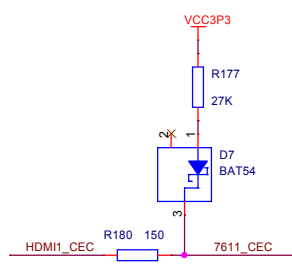
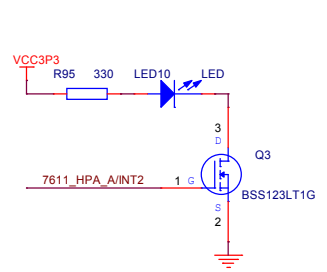
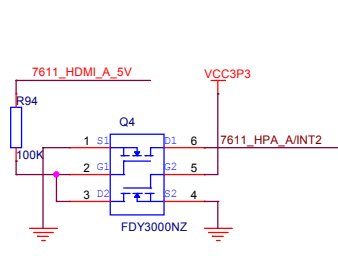


- DDR3\_A11 >> DDR3\_A11
- DDR3\_A8 >> DDR3\_A8
- DDR3\_A6 >> DDR3\_A6
- DDR3\_Ck<sub>n</sub> >> DDR3\_Ck<sub>n</sub>
- DDR3\_Ck<sub>p</sub> >> DDR3\_Ck<sub>p</sub>

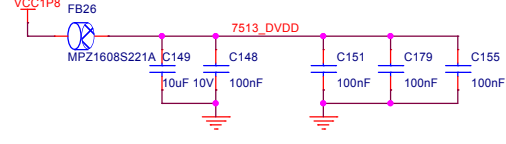
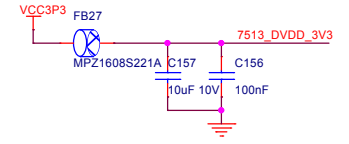
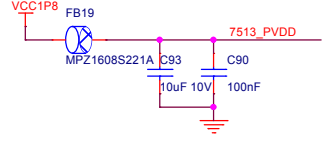
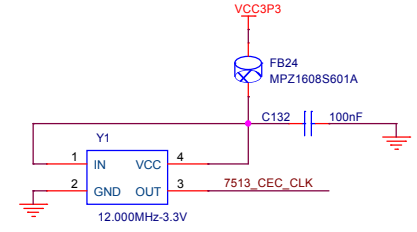
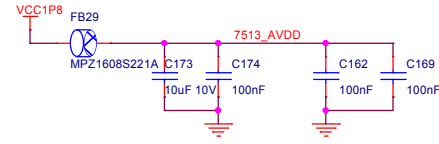
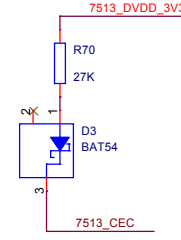
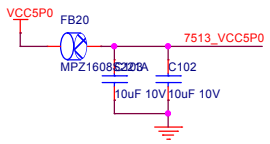
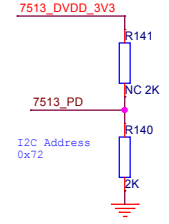
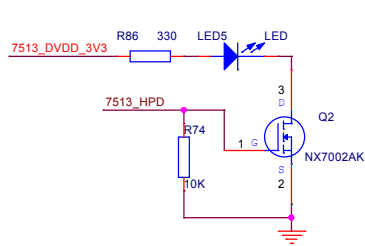
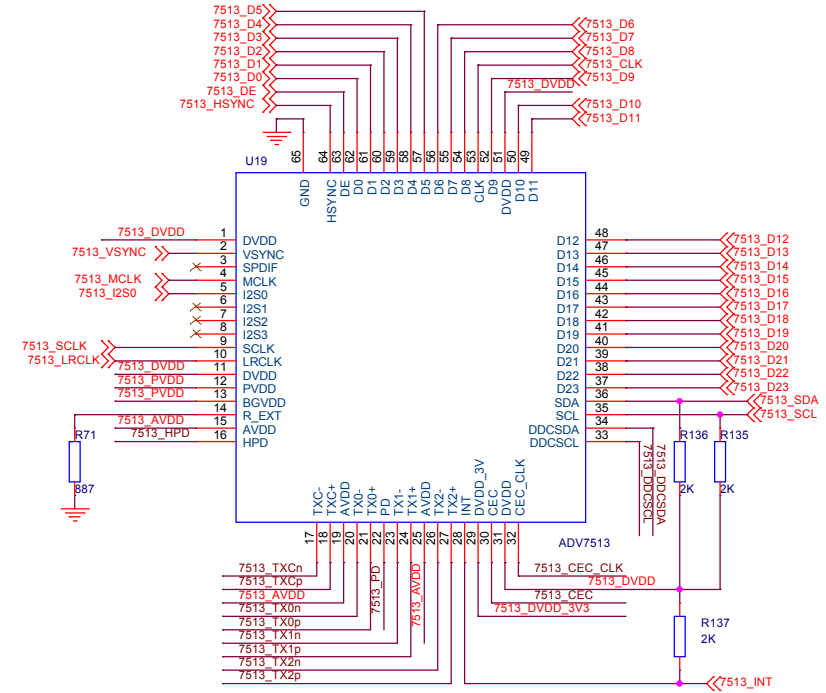
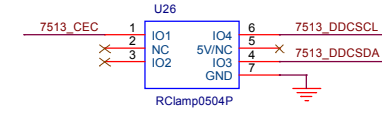
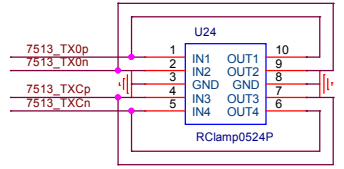
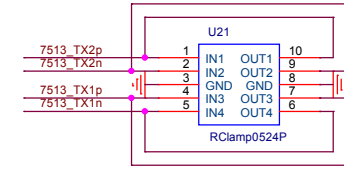
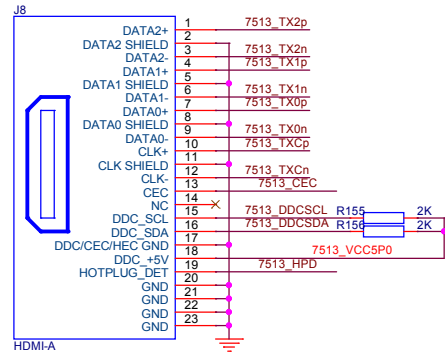


DQ[7:0], LDQSn, LDQSp and LDM分配在Bank6的DQ3  
 DQ15:8], UDQSn, UDQSp and UDM分配在Bank7的DQ2

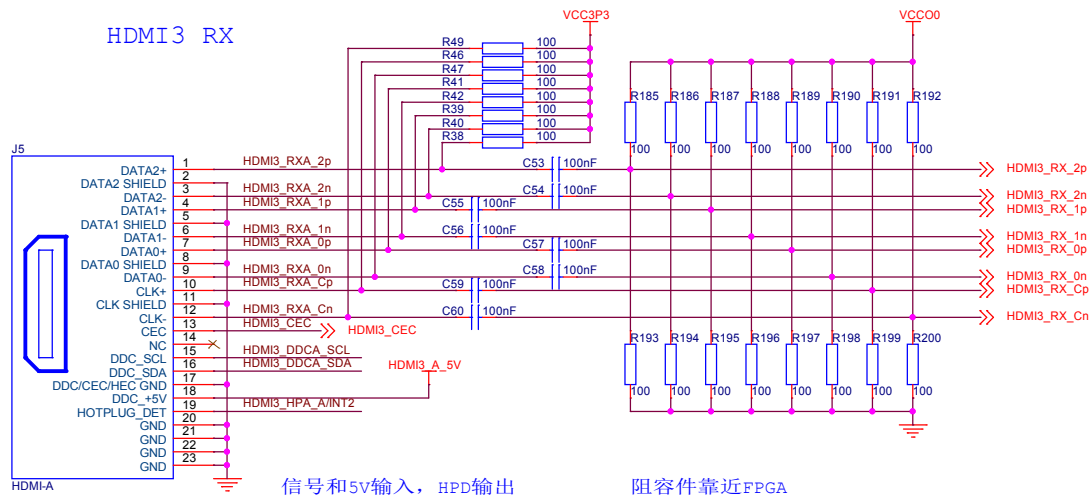




GOWIN		
Copyright (c) 2019 by Gowin Semiconductor Corporation, Ltd.		
Title DK-VIDEO-GW2A18-PG484		
Size A3	Document Number HDMII-RX-7611	Rev V1.2
Date: Tuesday, April 14, 2020	Sheet 11 of 14	

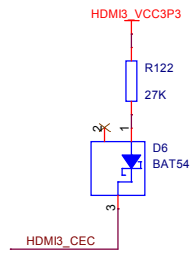
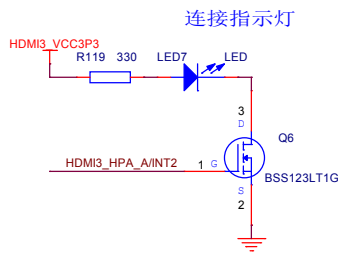
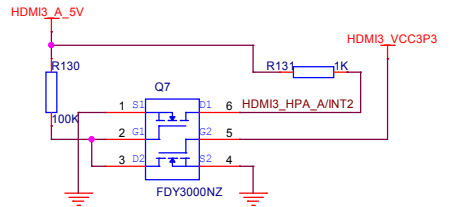
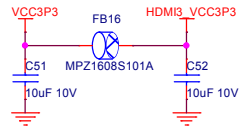
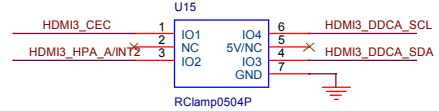
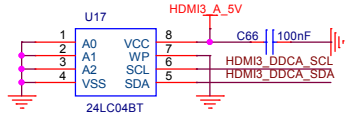
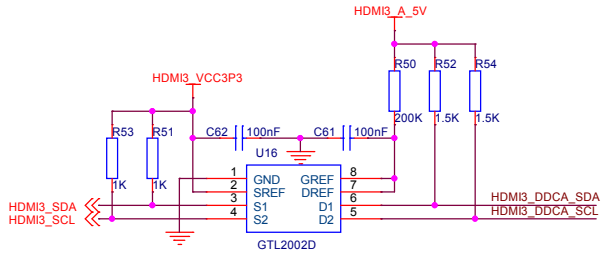
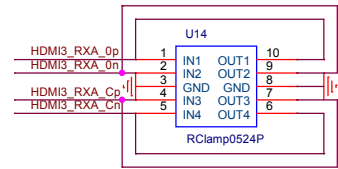
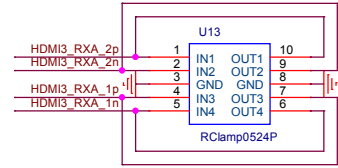


GOWIN		
Copyright (c) 2019 by Gowin Semiconductor Corporation, Ltd.		
File DK-VIDEO-GW2A18-PG484		
Size A3	Document Number HDMI2-TX-7513	Rev V1.2
Date: Tuesday, April 14, 2020	Sheet 12	of 14

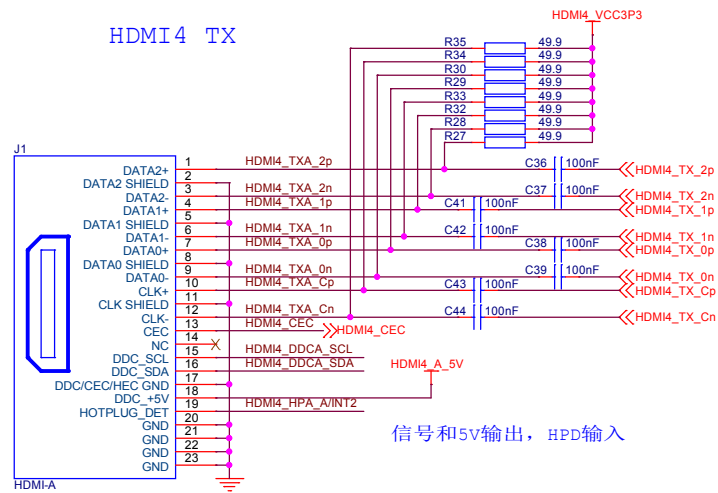


信号和5v输入, HPD输出

阻容件靠近FPGA



GOWIN		
Copyright (c) 2019 by Gowin Semiconductor Corporation, Ltd.		
File DK-VIDEO-GW2A18-PG484		
Size A3	Document Number HDMI3-RX	Rev V1.2
Date: Tuesday, April 14, 2020	Sheet 13 of 14	



信号和5V输出, HPD输入

