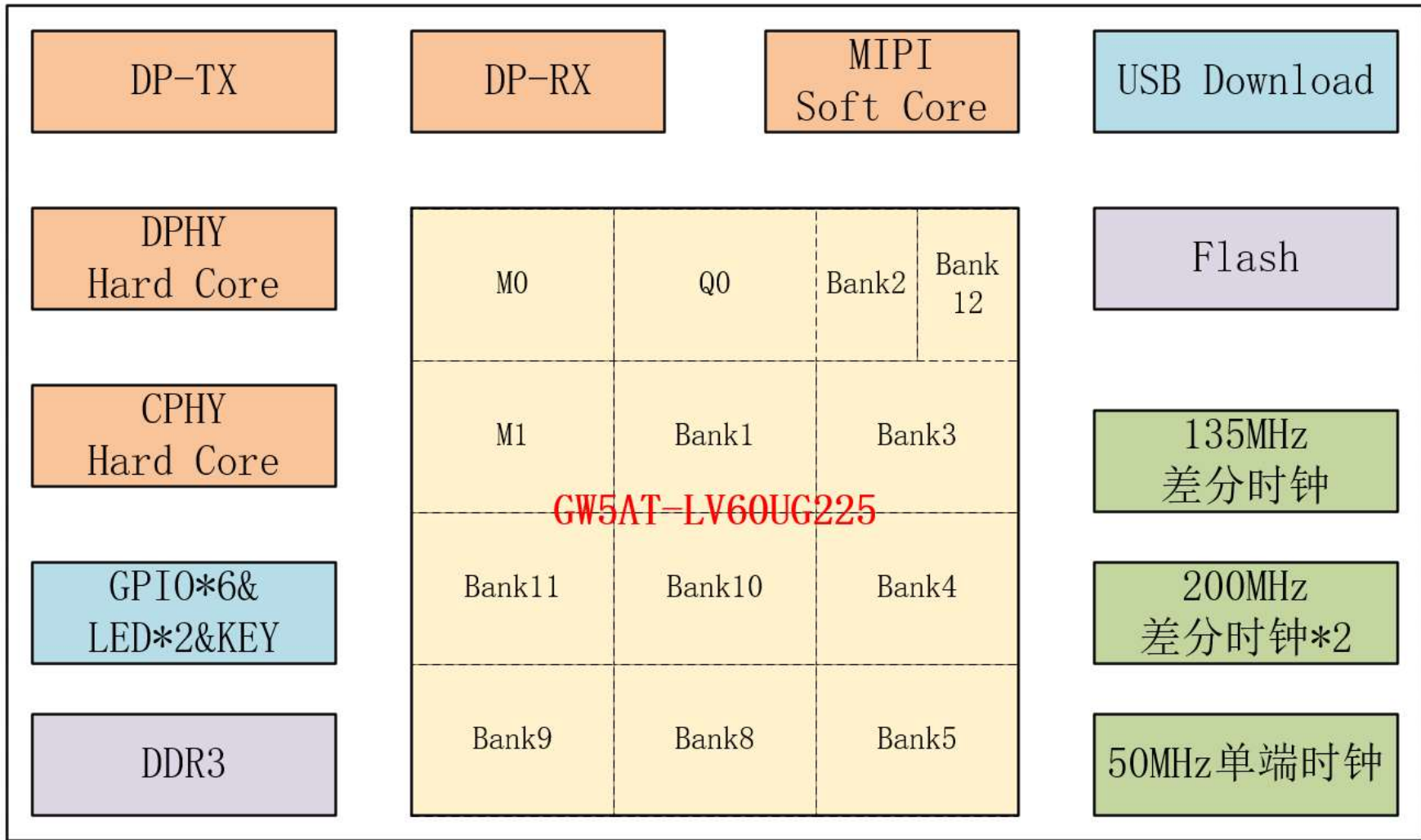
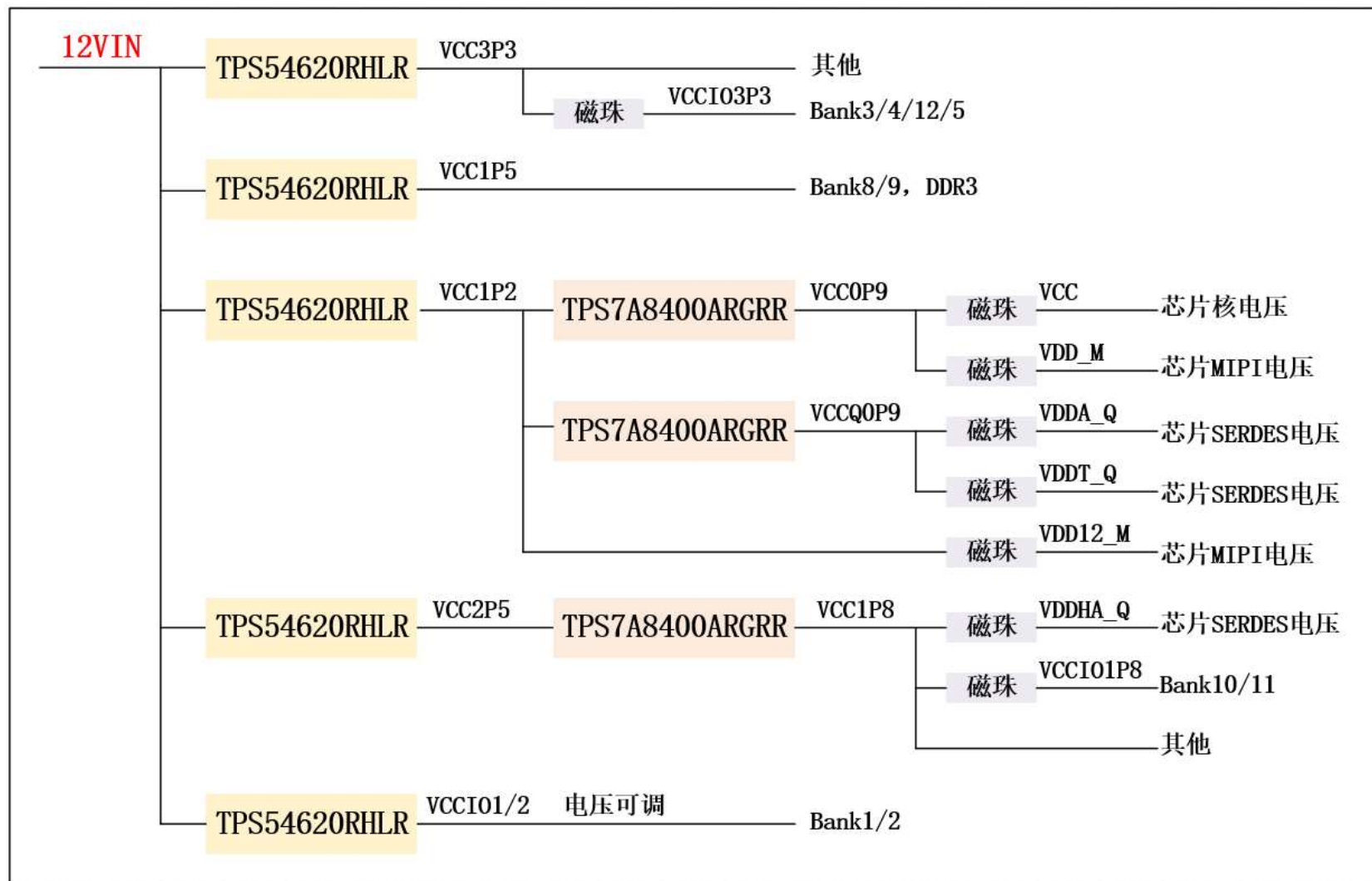


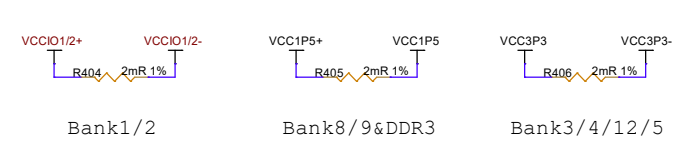
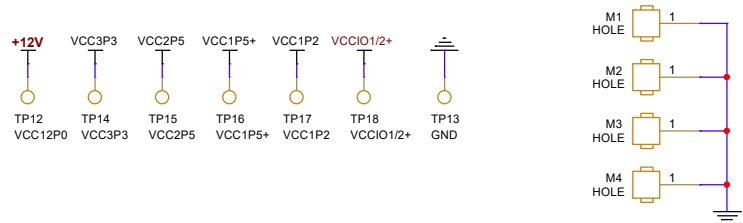
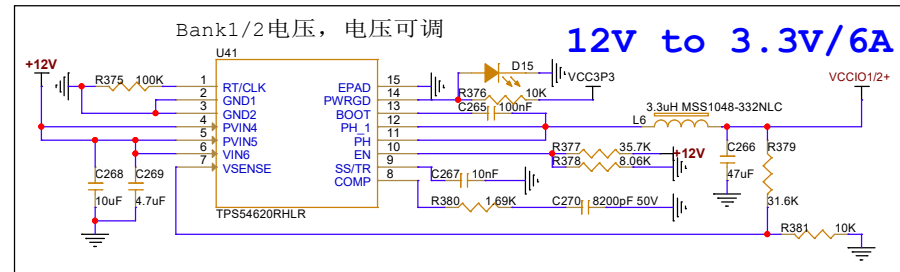
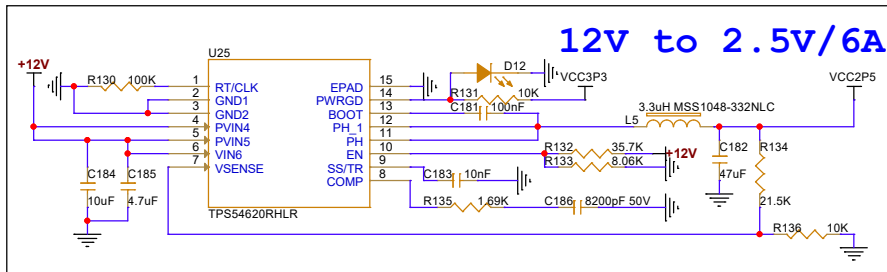
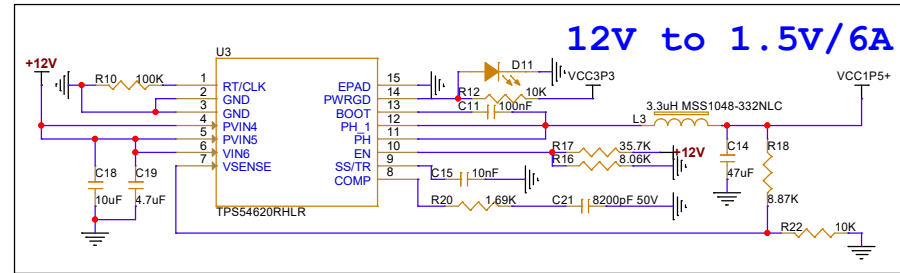
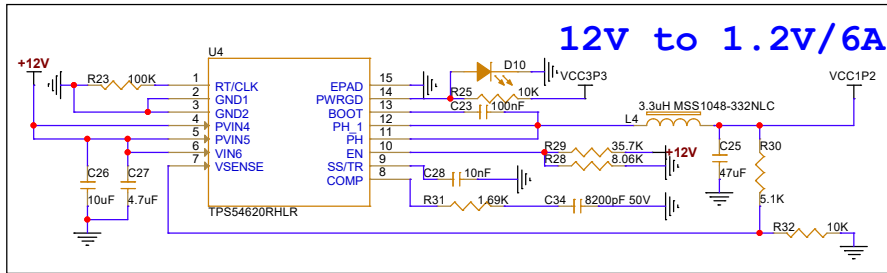
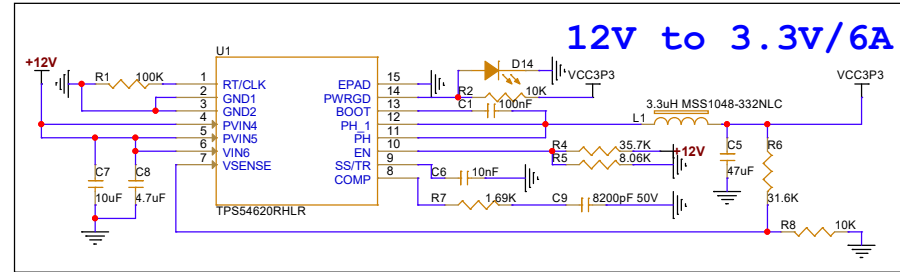
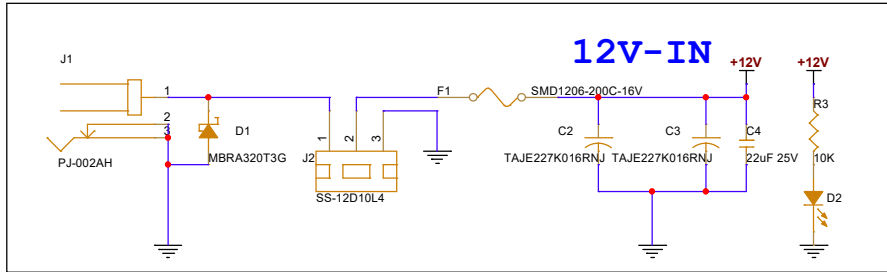
SCHEMATIC	CONTENT	PAGE
PAGE1	COVER PAGE	1
PAGE2	SYSTEM DIAGRAM	2
PAGE3	POWER	3
PAGE4	POWER	4
PAGE5	POWER	5
PAGE6	FPGA-Config	6
PAGE7	FPGA-Power	7
PAGE8	DDR3	8
PAGE9	DP	9
PAGE10	MIPI	10
PAGE11	USB	11





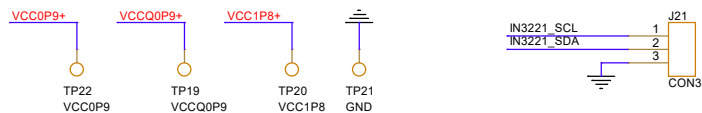
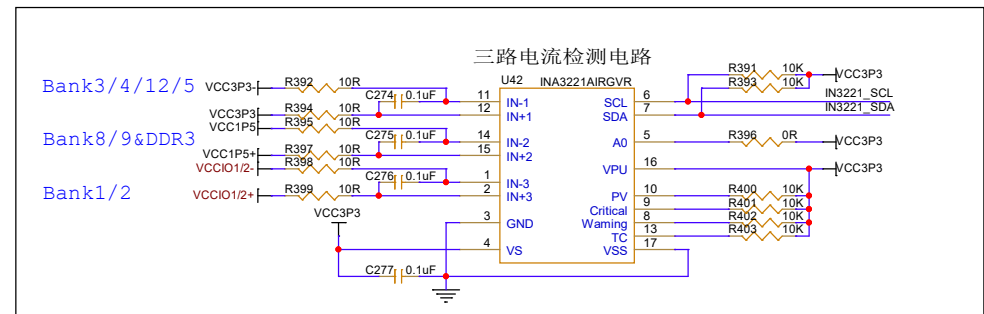
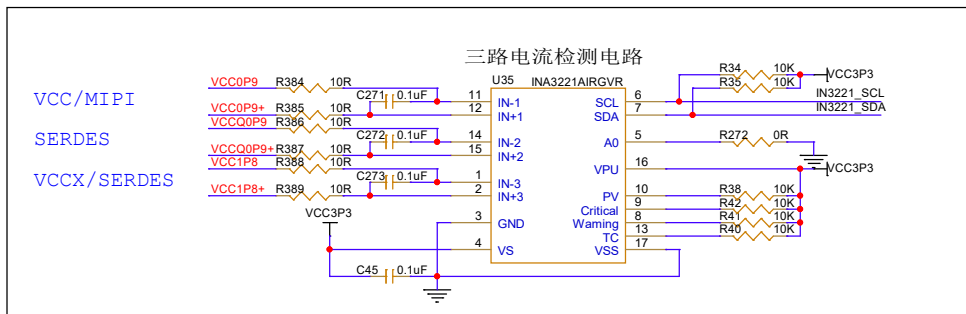
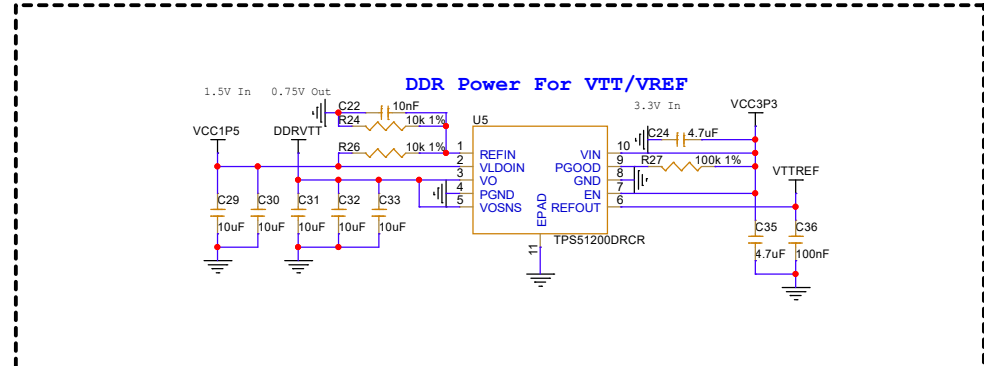
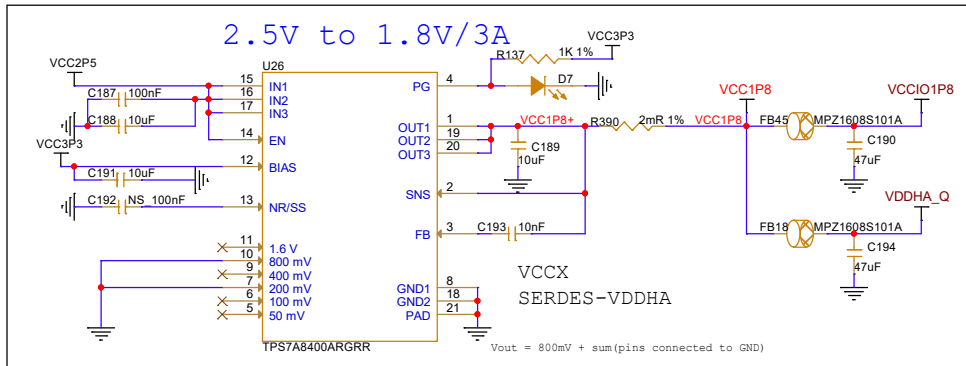
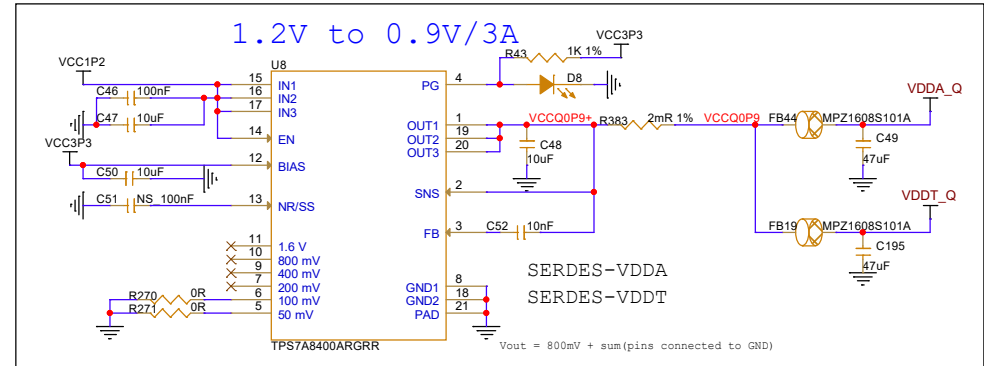
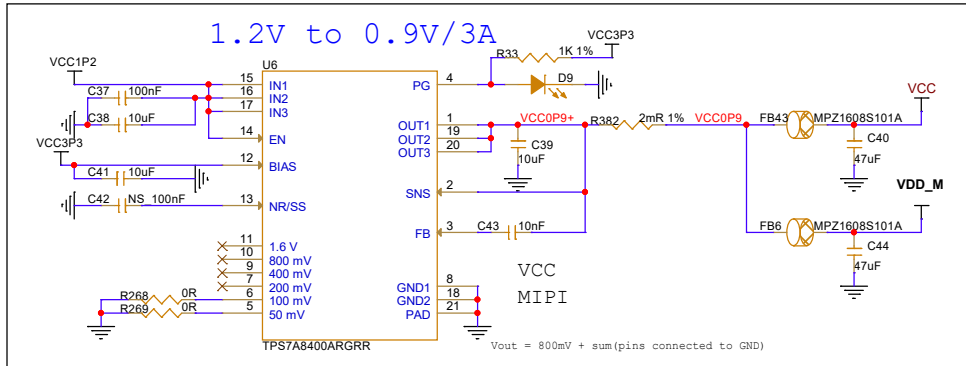
Title		
DK_DP_GW5AT-LV60UG225		
Size	Document Number	Rev
A3	POWER TREE	1.0
Date:	Friday, July 26, 2024	Sheet 3 of 11

POWER



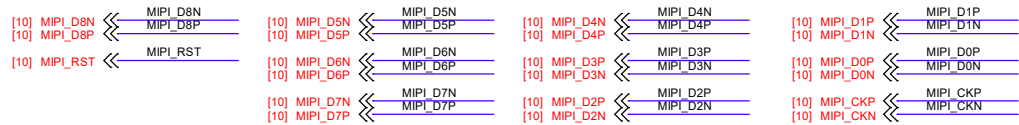
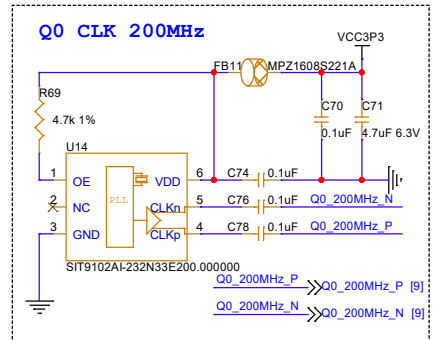
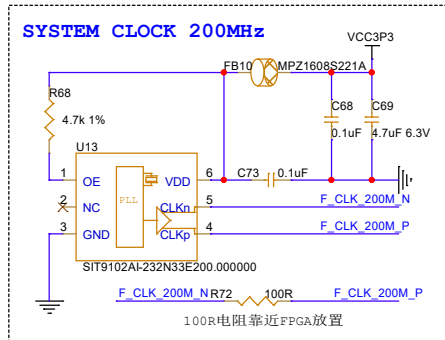
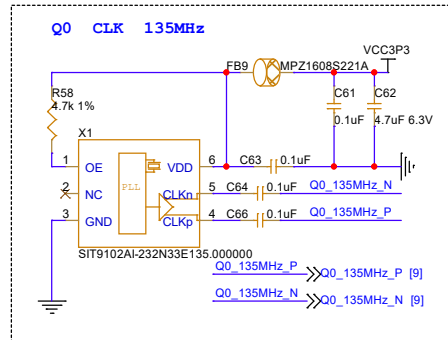
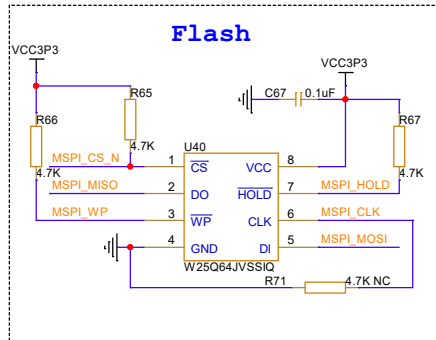
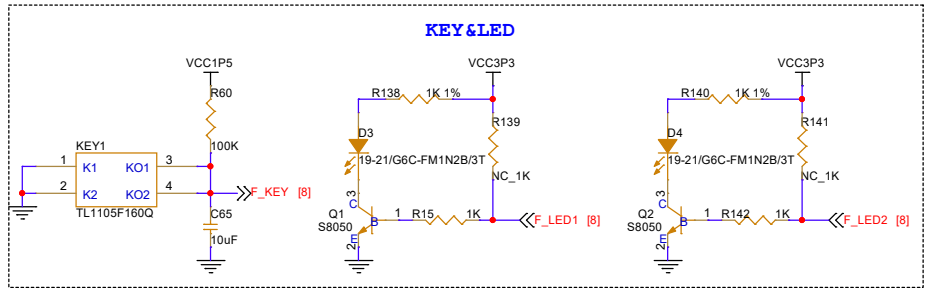
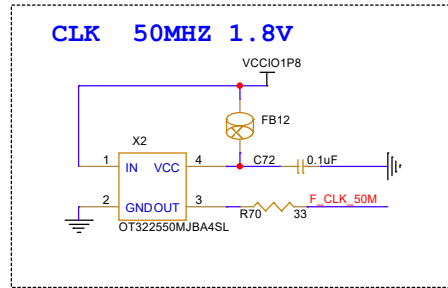
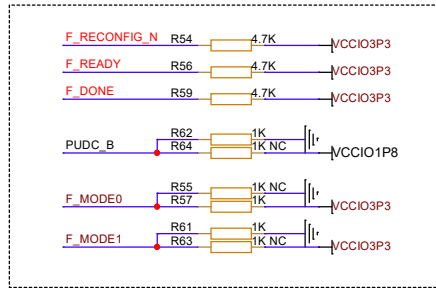
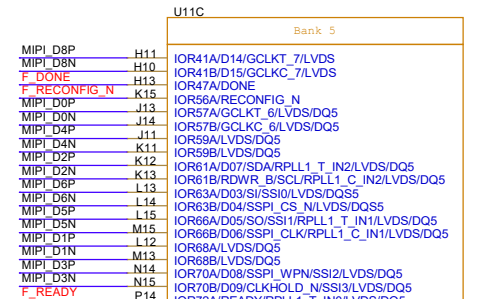
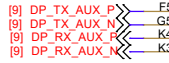
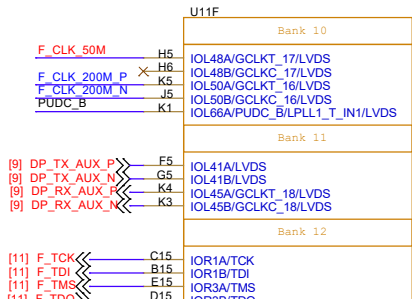
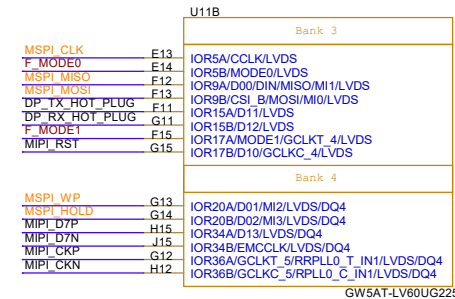
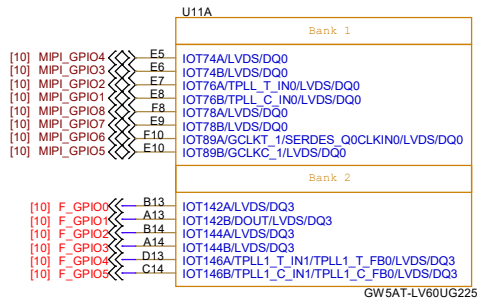
File		DK_DP_GW5AT-LV60UG225
Size	Document Number	Rev
A3	POWER	1.0
Date:	Thursday, July 25, 2024	Sheet 4 of 11

POWER

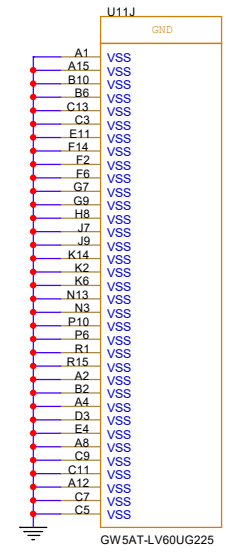
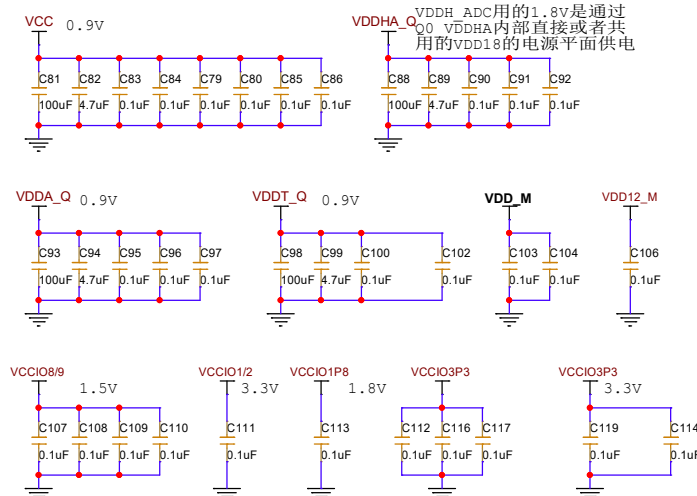
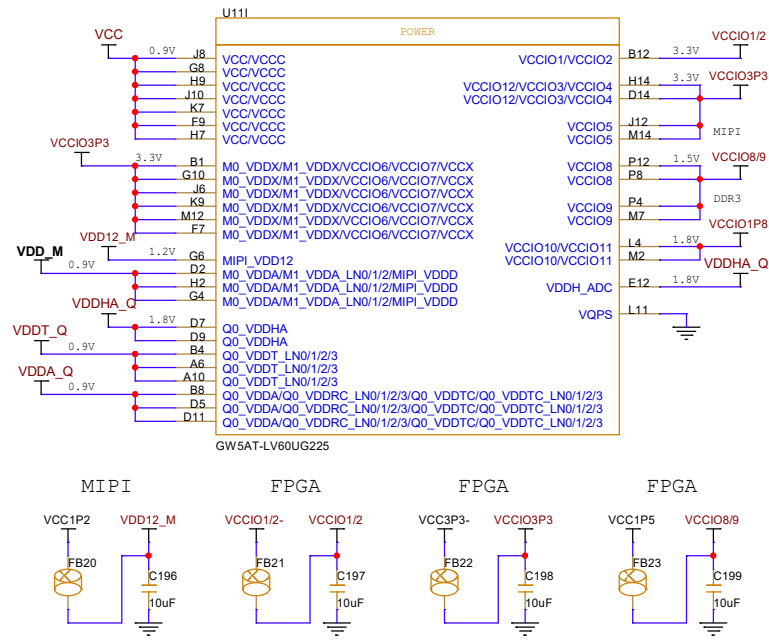


File	DK_DP_GW5AT-LV60UG225
Size	A3
Document Number	POWER
Rev	1.0
Date	Thursday, July 25, 2024
Sheet	5 of 11

FPGA-Config



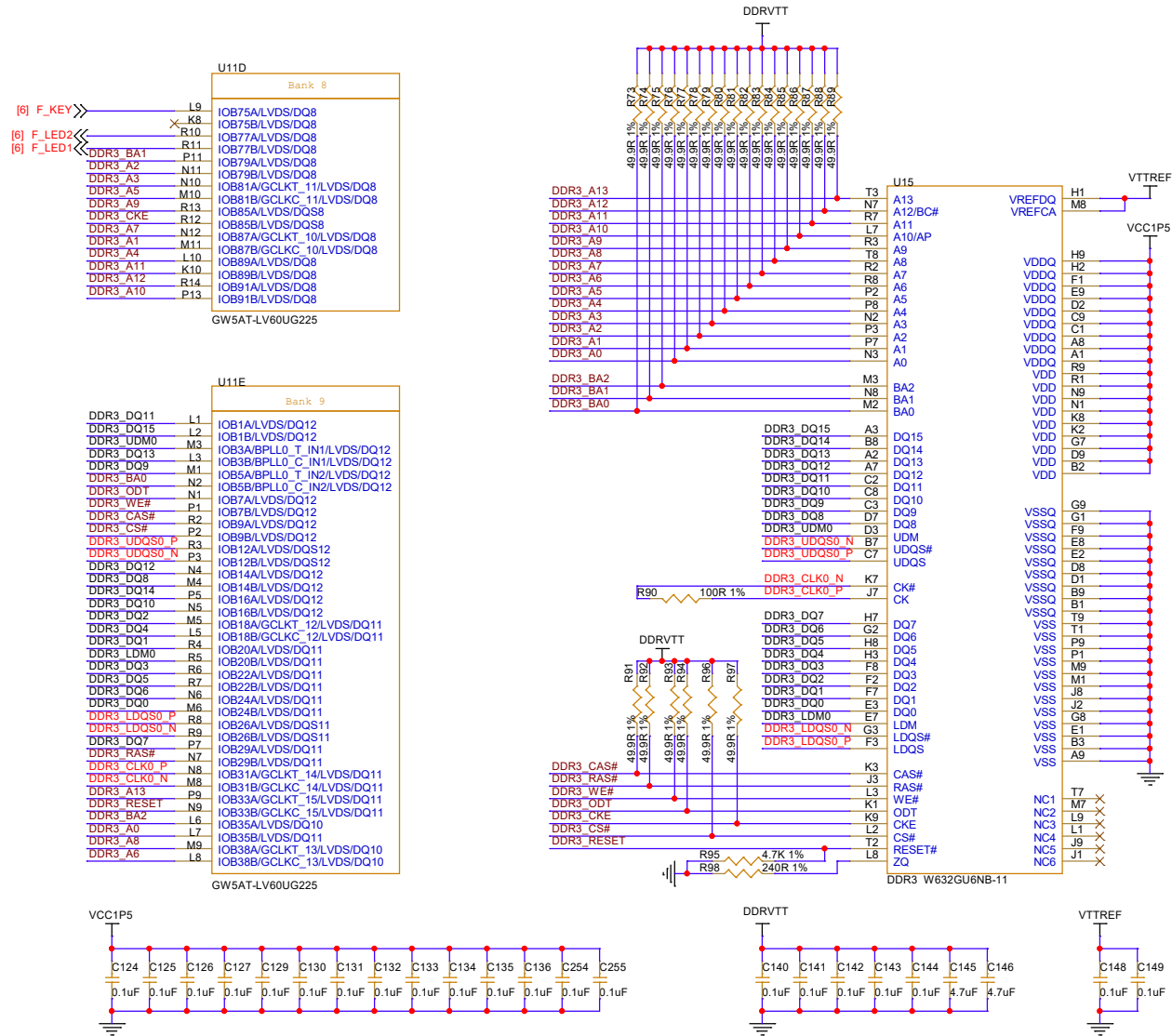
FPGA-POWER



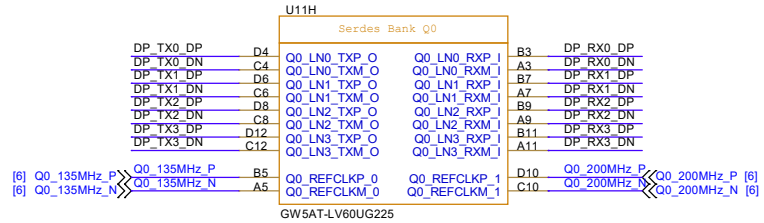
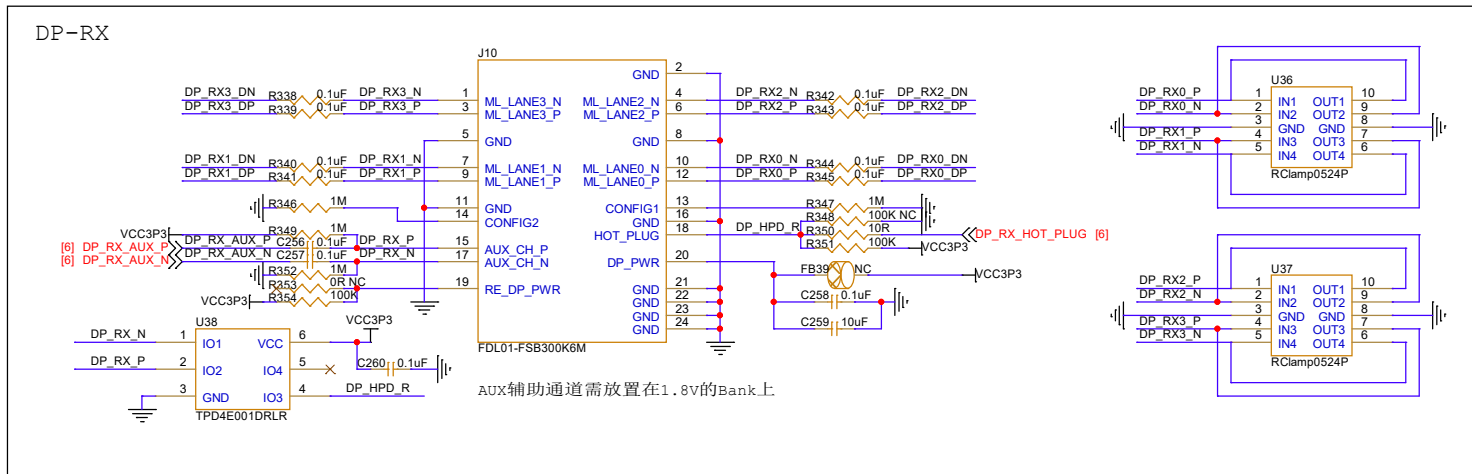
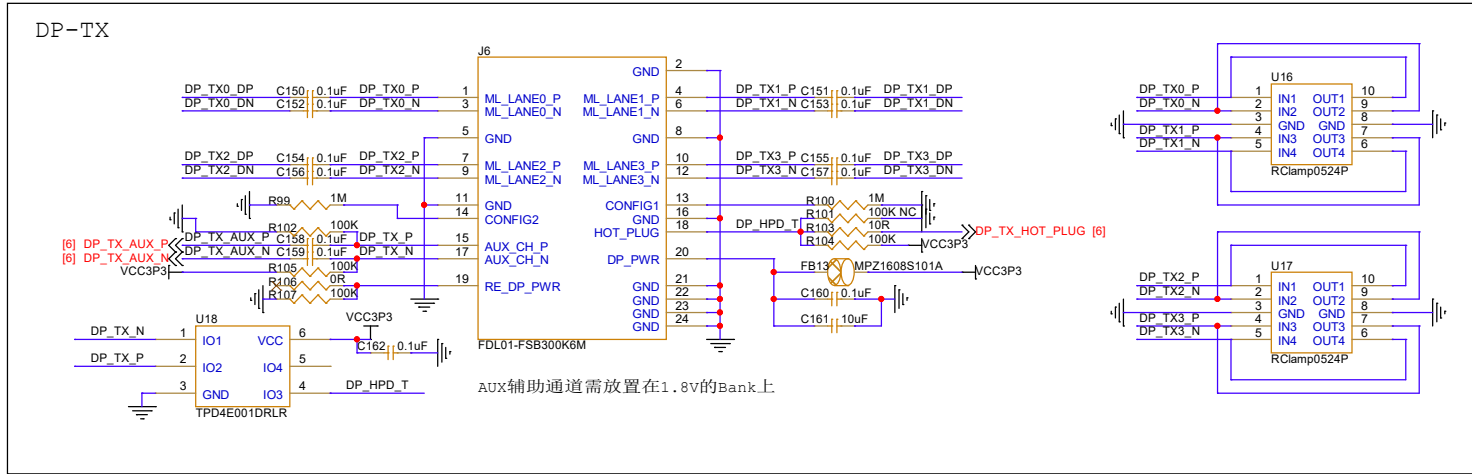
VDDH_ADC用的1.8v是通过Q0_VDDHA内部直接或者共用的VDD18的电源平面供电

DK_DP_GW5AT-LV60UG225		
Size A3	Document Number PFGA-POWER	Rev 1.0
Date: Thursday, July 25, 2024	Sheet 7	of 11

DDR3

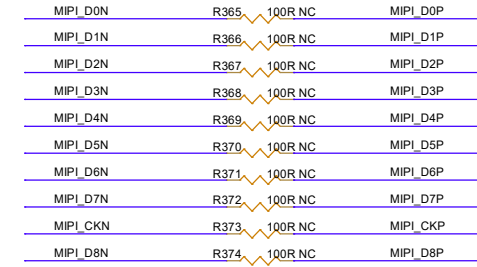
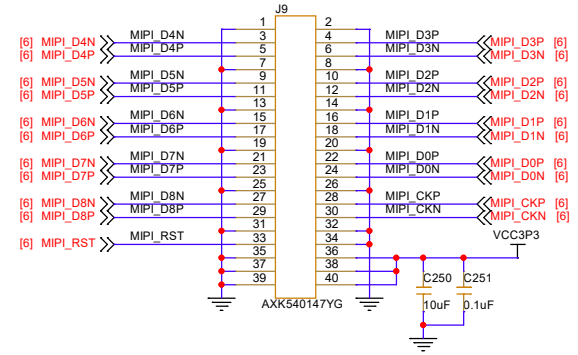
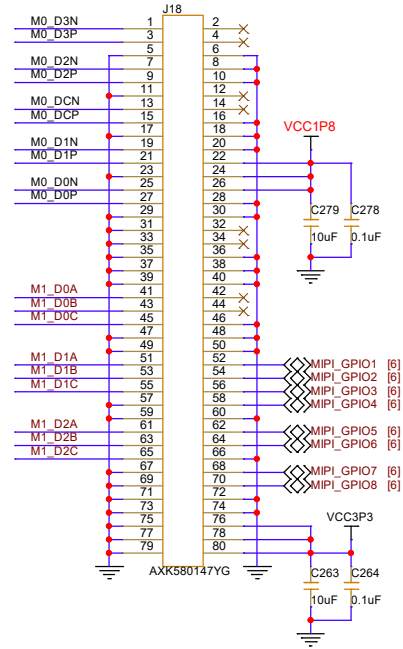
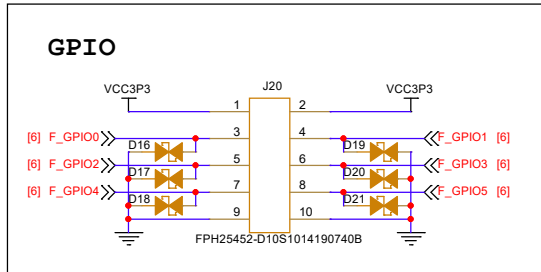
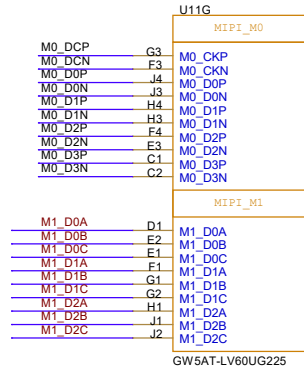


DP



Title: DK_DP_GW5AT-LV60UG225		
Size: A3	Document Number: DP-RX,DP-TX	Rev: 1.0
Date: Thursday, July 25, 2024	Sheet: 9	of 11

MIPI&GPIO



如果选择内部端接, 则外部100R端接 NC掉

USB

USB to JTAG

