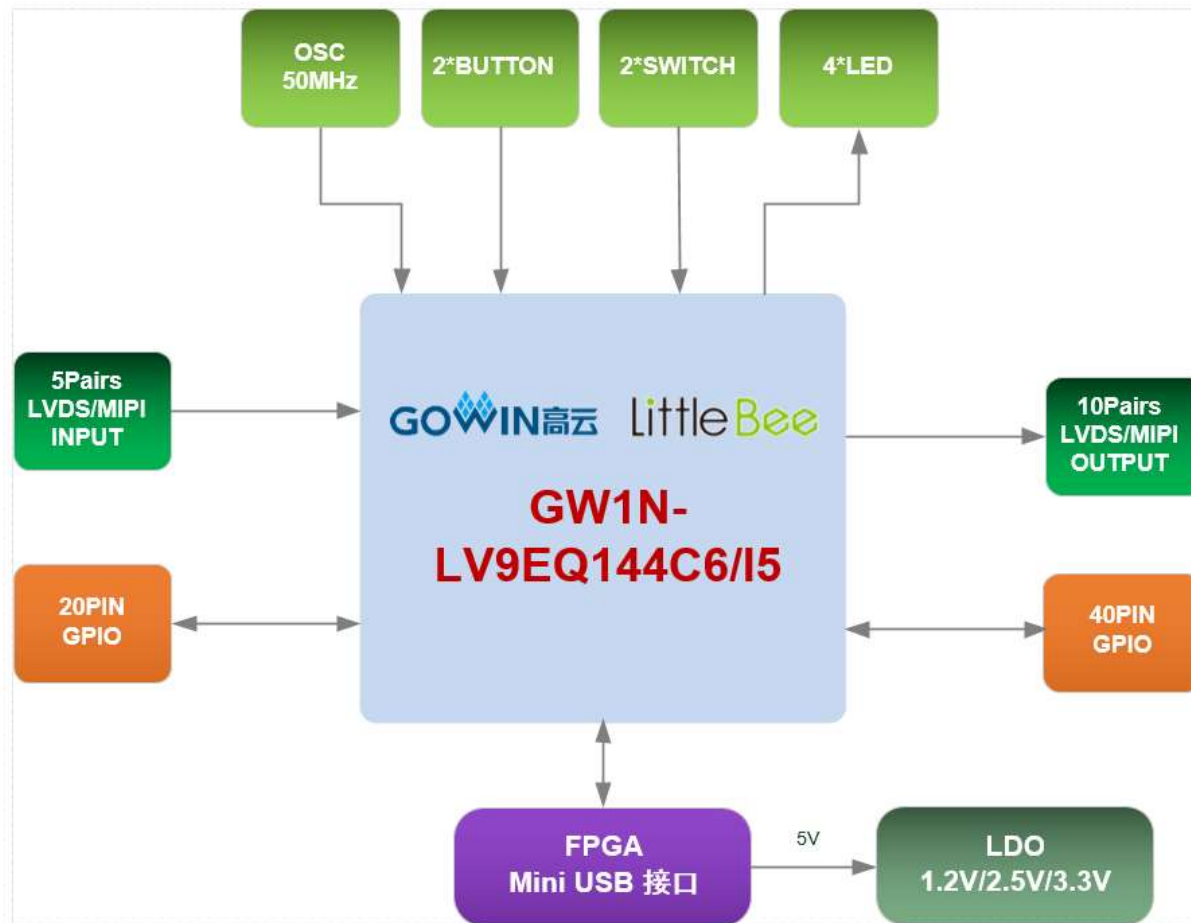
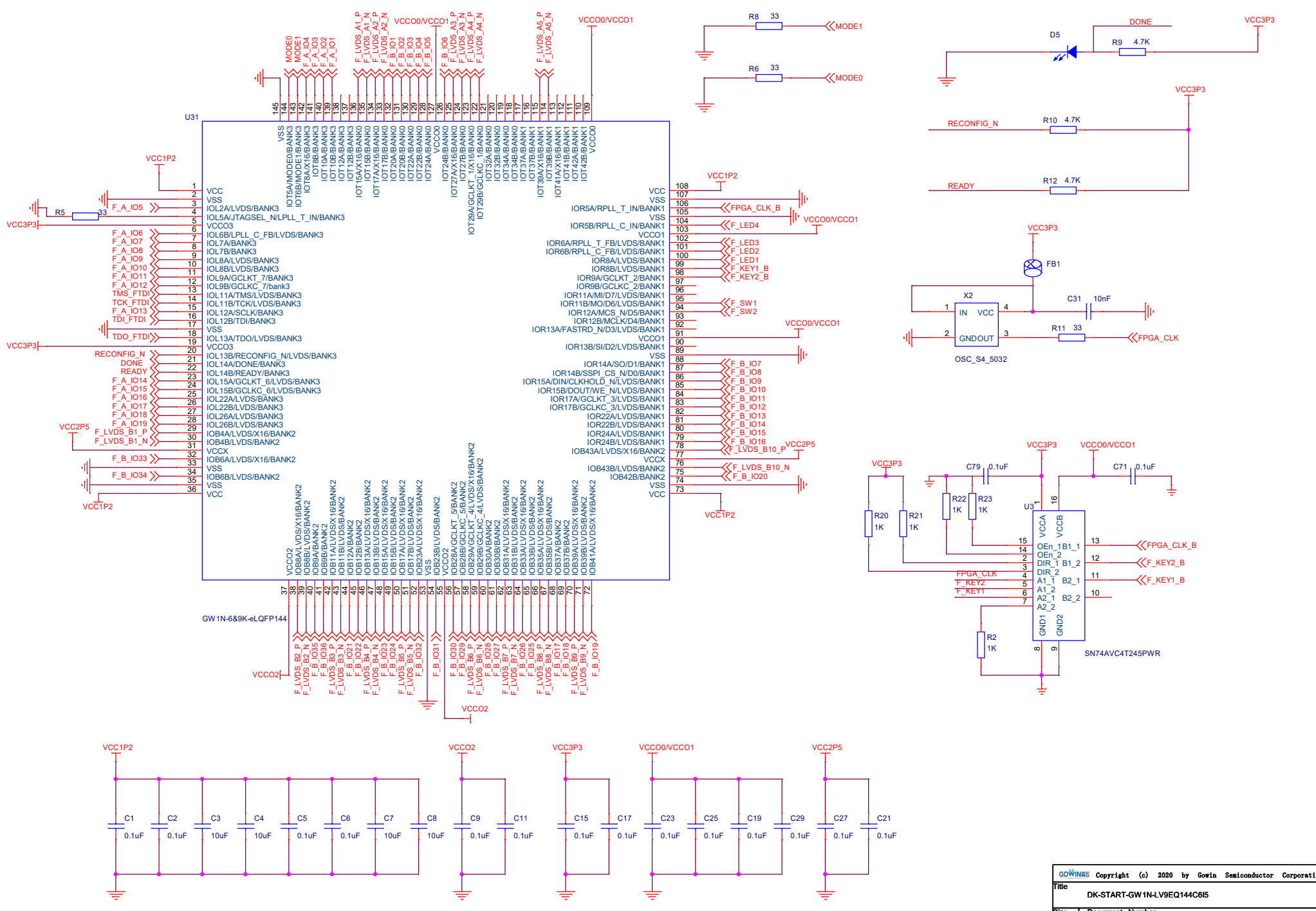


SCHEMATIC	CONTENT	PAGE
TOP	COVER PAGE, PLACEMENT	1-2
FPGA	FPGA	3
POWER	DC5V to 3.3V, 2.5V, 1.2V	4
Download	FPGA Download	5
INOUT	GPIO, LED, KEY, LVDS/MIPI	6





GOWIN Copyright (c) 2020 by Gowin Semiconductor Corporation, Ltd		
Title DK-START-GW1N-LV9EQ144C6I5		
Size A3	Document Number PPGA	Rev V2.1
Date: Thursday, August 19, 2021	Sheet 3	of 6

