

D

D

SCHEMATIC	CONTENT	PAGE
PAGE01	COVER PAGE	01
PAGE02-DIAGRAM	SYSTEM DIAGRAM	02
PAGE03-POWER	5V to 3.3V,2.5V	03
PAGE04-FPGA	GW2AN-UV9X-LUG400C8I7	04
PAGE05-FPGA	GW2AN-UV9X-LUG400C8I7	05
PAGE06-JTAG,GPIO	JTAG,GPIO	06
PAGE07-USB1.1,RJ45	USB1.1,EtherRNet	07
PAGE08-USB2.0	USB2.0	08

C

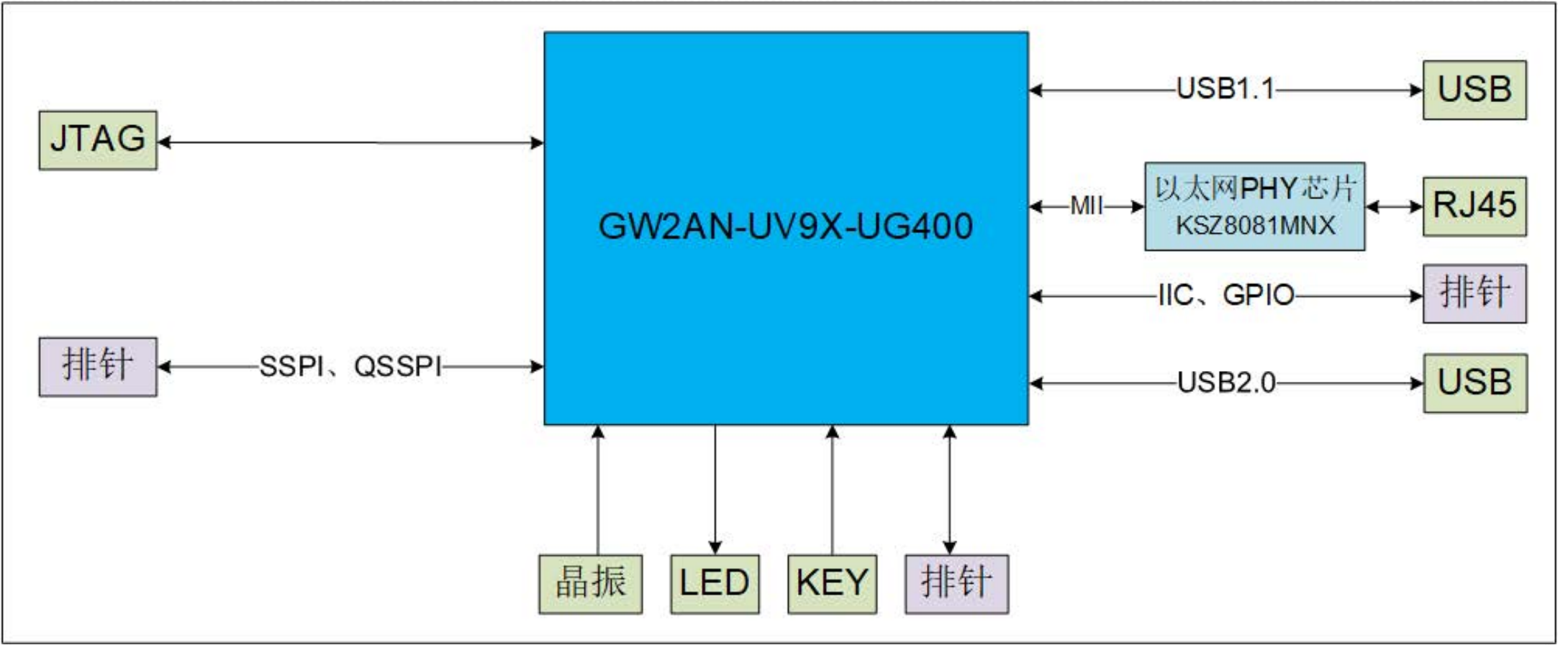
C

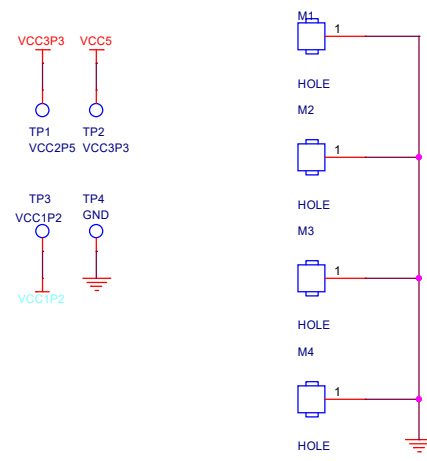
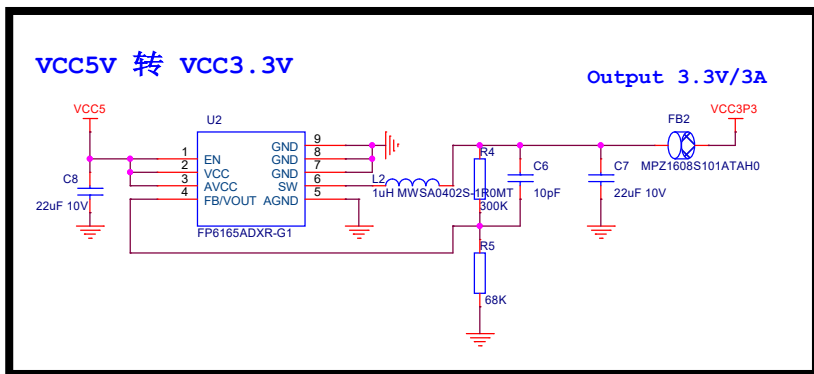
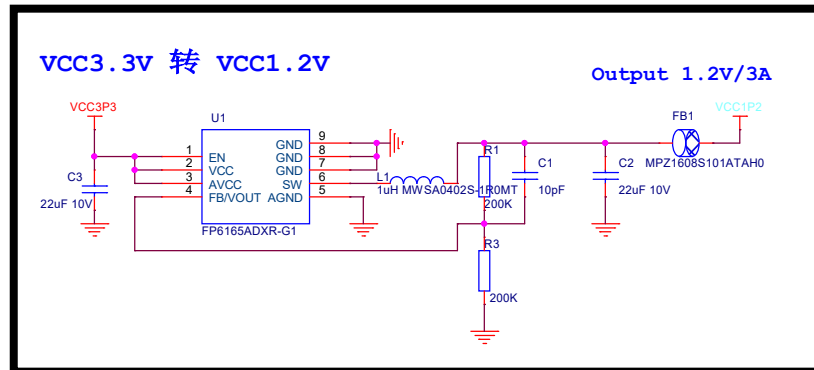
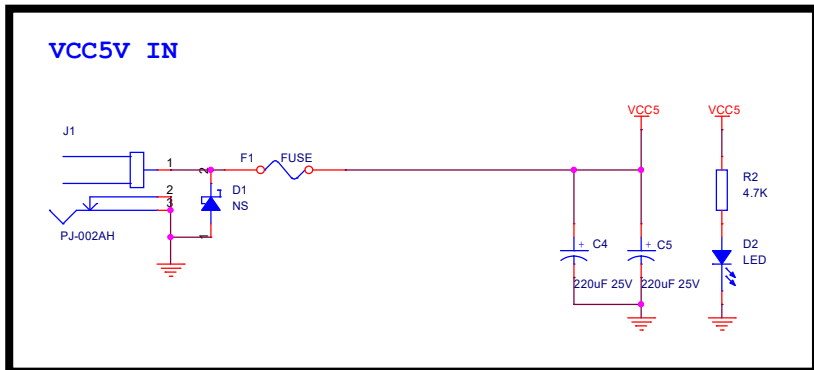
B

B

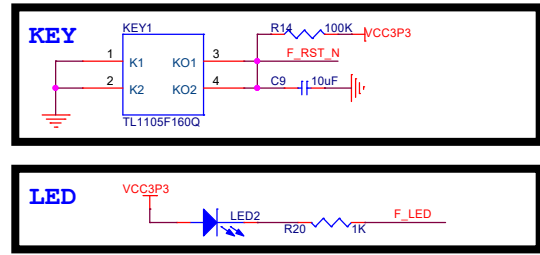
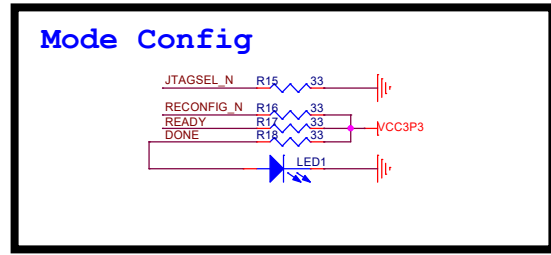
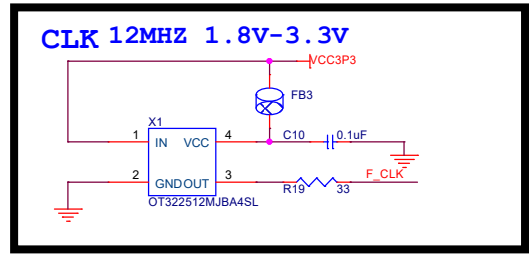
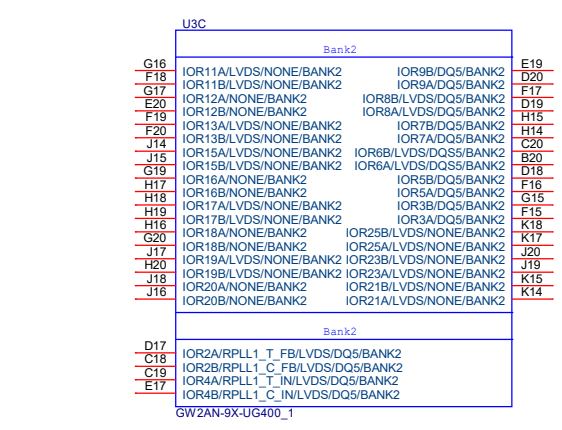
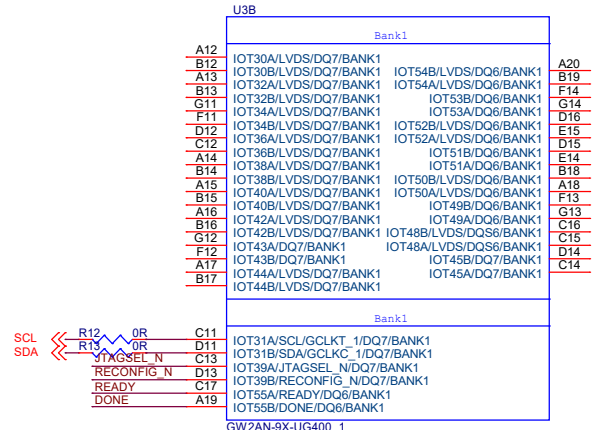
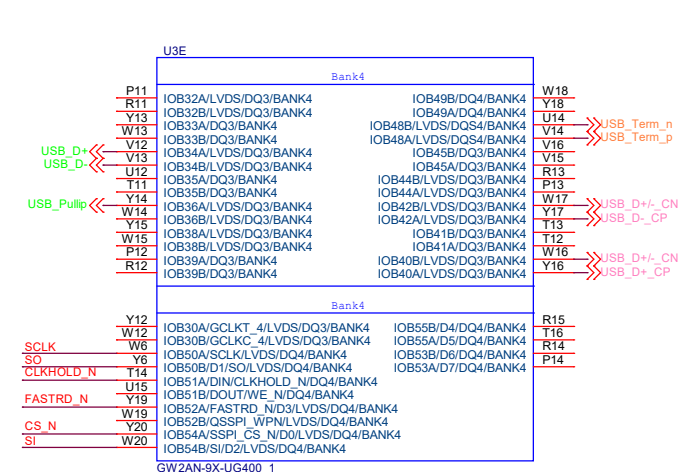
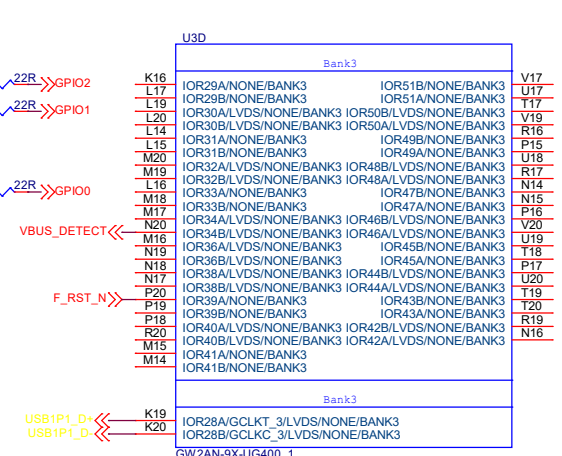
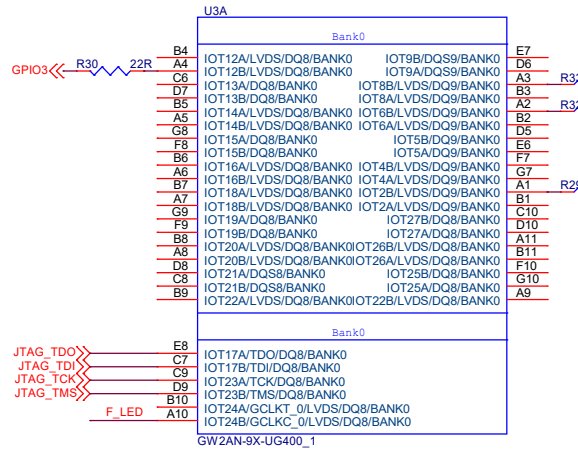
A

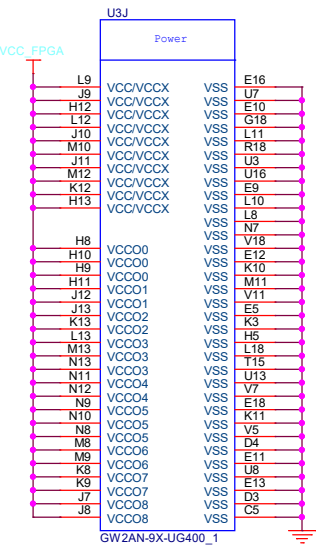
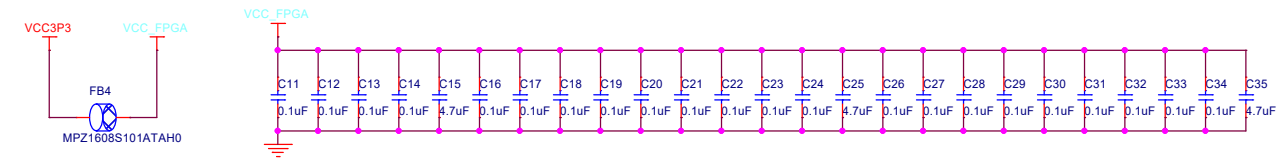
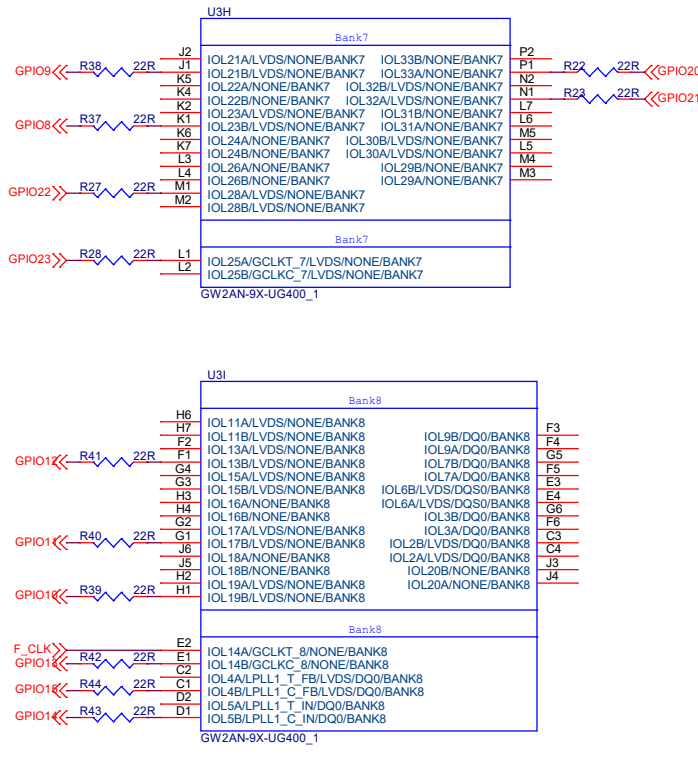
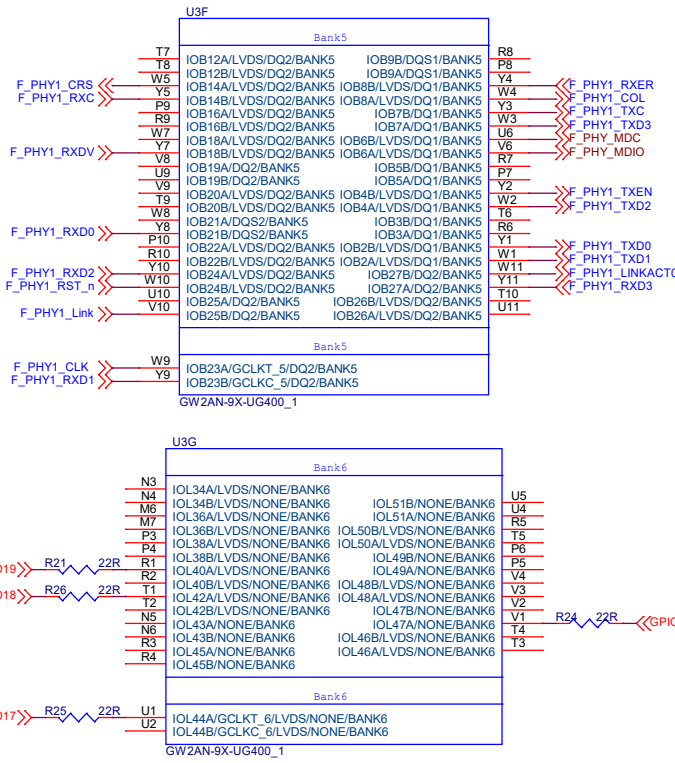
A

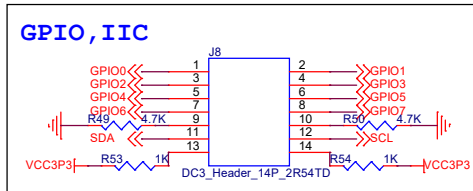
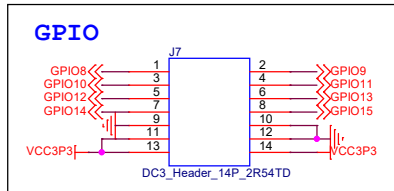
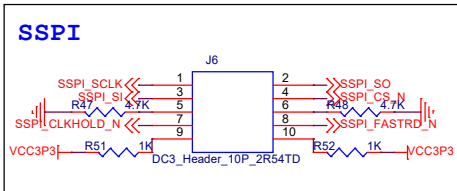
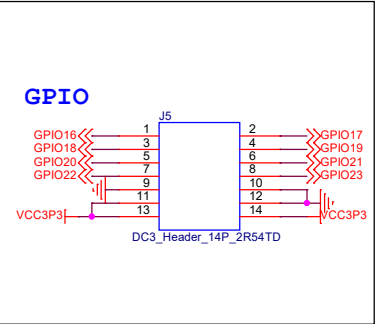
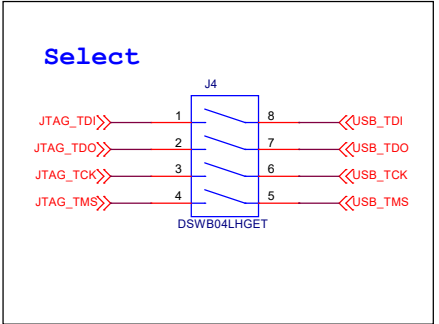
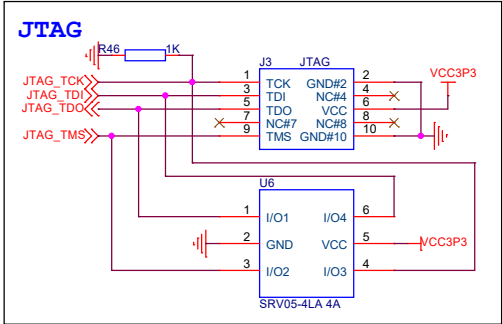
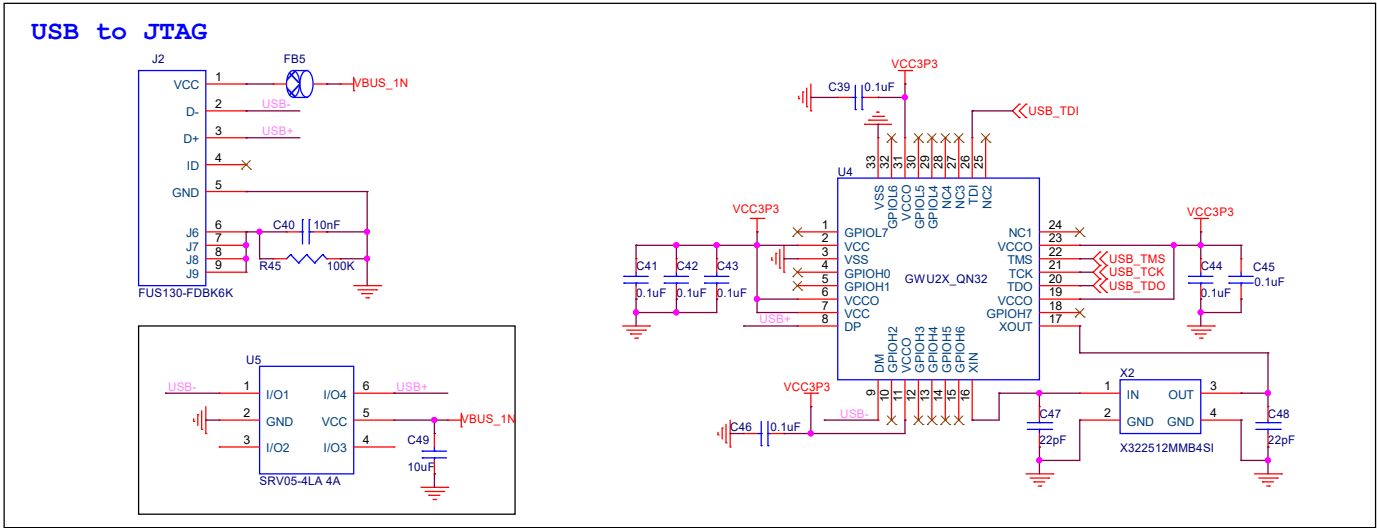


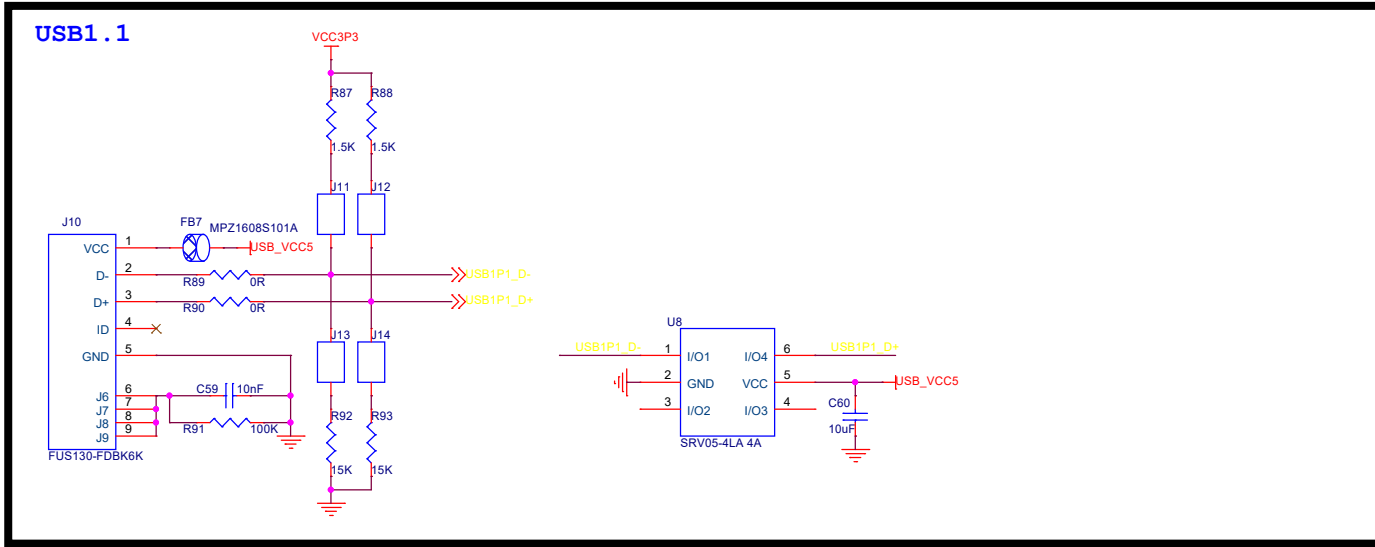
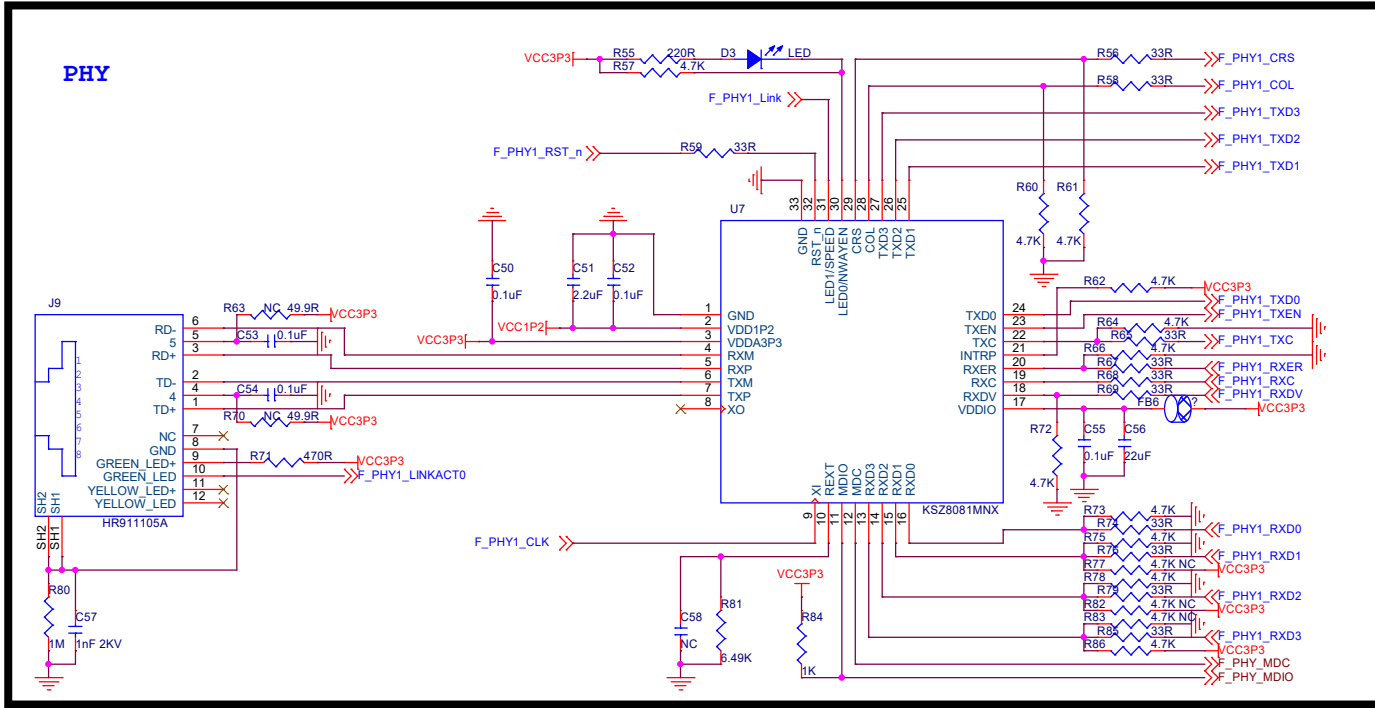


File		
DK_START_GW2AN-UV9XUG400C716		
Size	Document Number	Rev
A3	5V to 3.3V, 1.2V	1.0
Date:	Thursday, January 05, 2023	Sheet 3 of 8



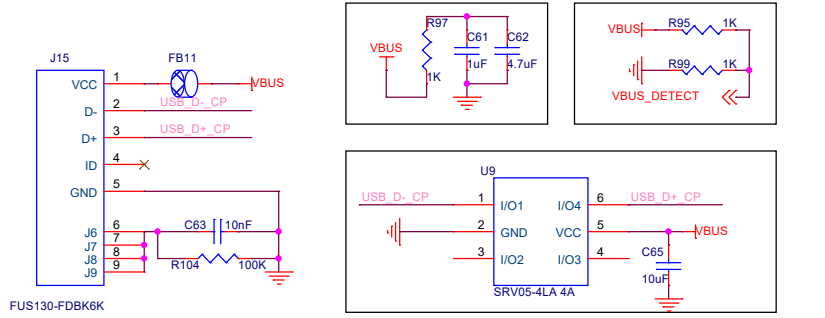






File		
DK_START_GW2AN-UV9XUG400C7I6		
Size	Document Number	Rev
A3	Ethernet PHY,USB1.1	1.0
Date:	Thursday, January 05, 2023	Sheet 7 of 8

### USB



### USB-RC

