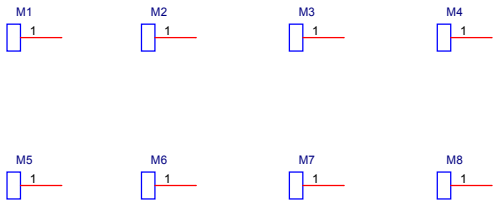
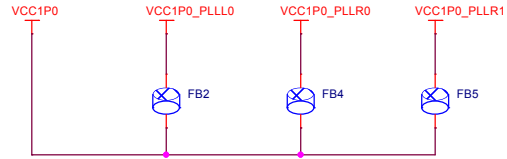
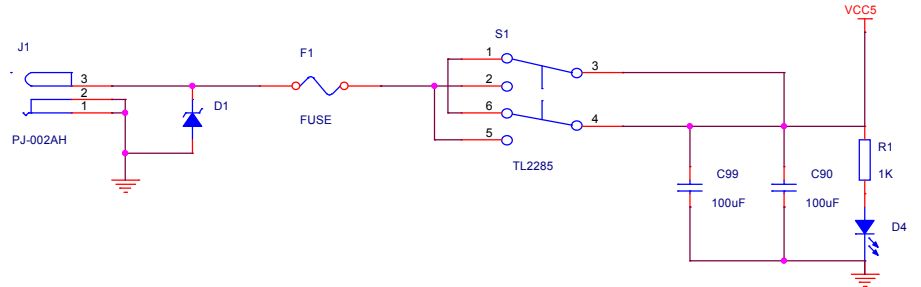
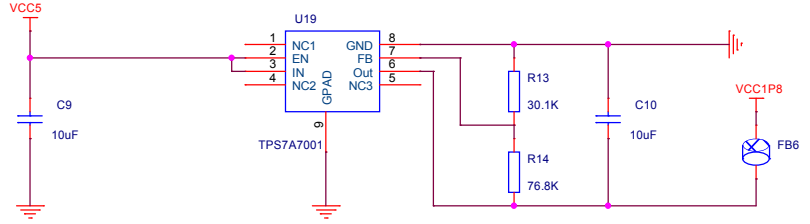
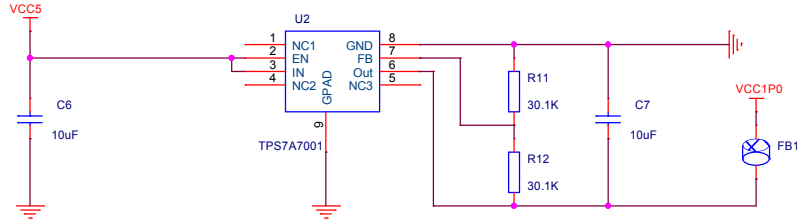
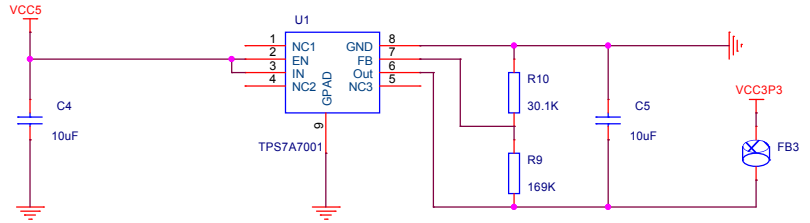
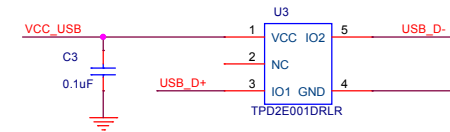
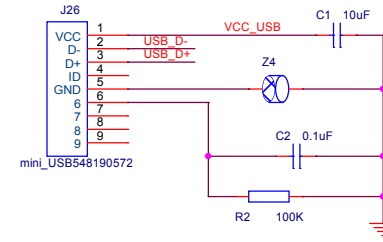
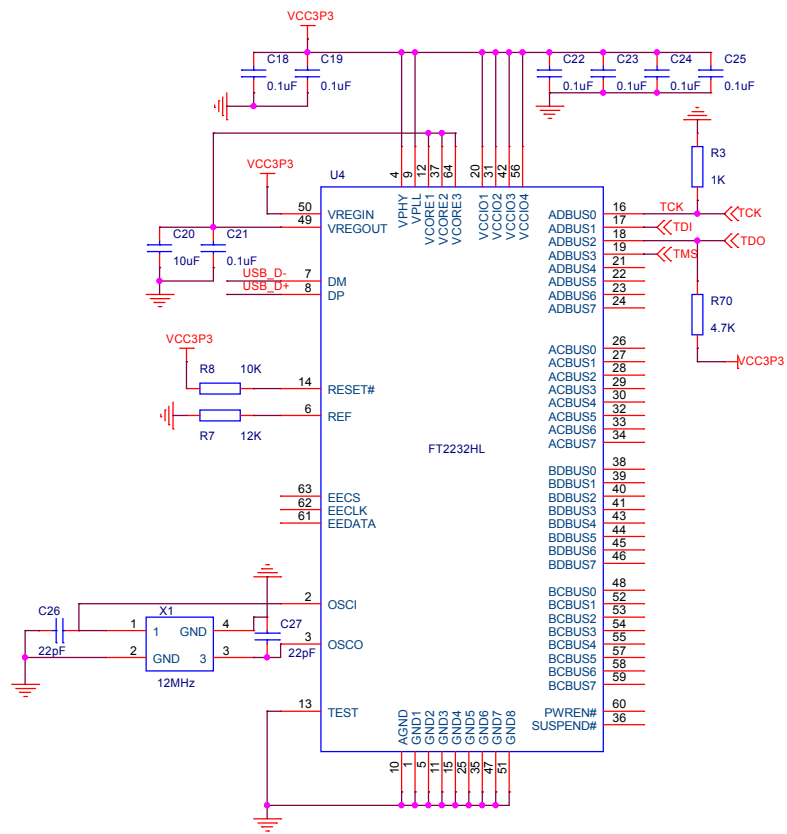


SCHEMATIC	CONTENT	PAGE
TOP	COVER PAGE, PLACEMENT	1-2
POWER	DC5V to 3.3V,1.8V,1.0V	3
Download	FPGA USB Download	4
Ethernet PHY	10M/100M/1000M PHY	5
FPGA	LQFP144, MSPI, OSC	6
GPIO	GPIO	7
LVDS	LVDS, RST, SW, LED	8

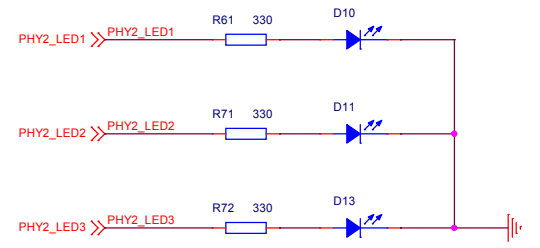
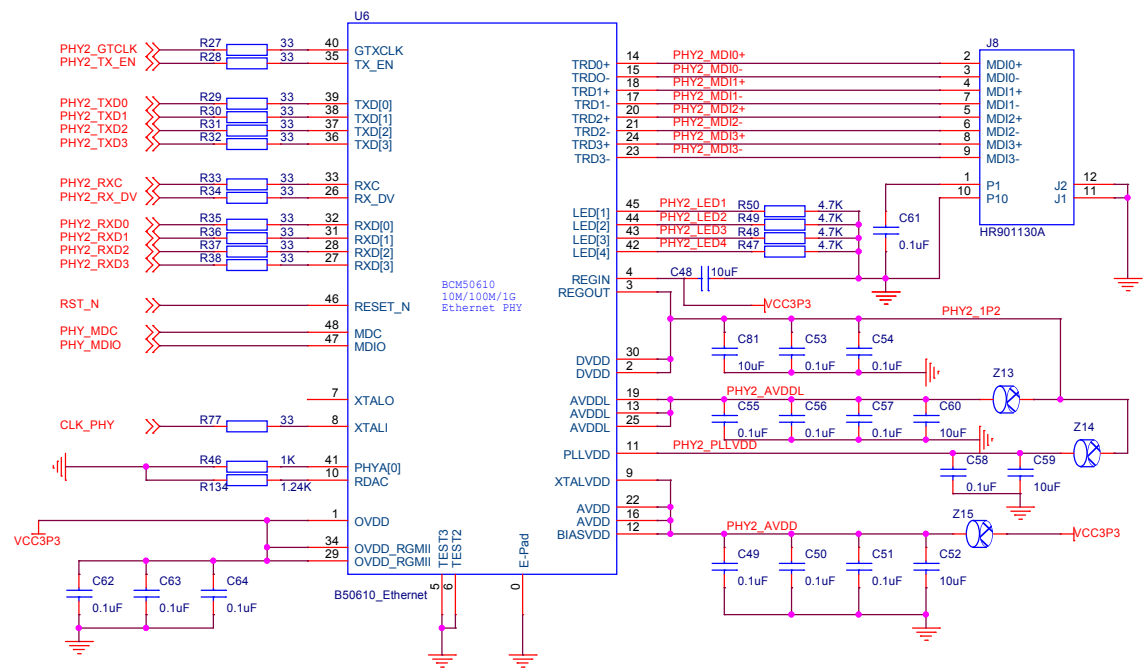
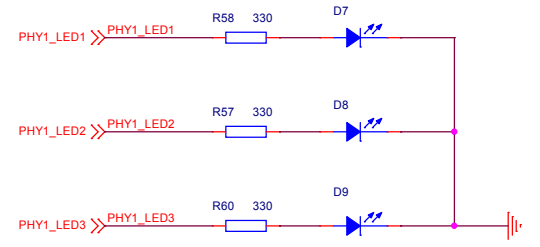
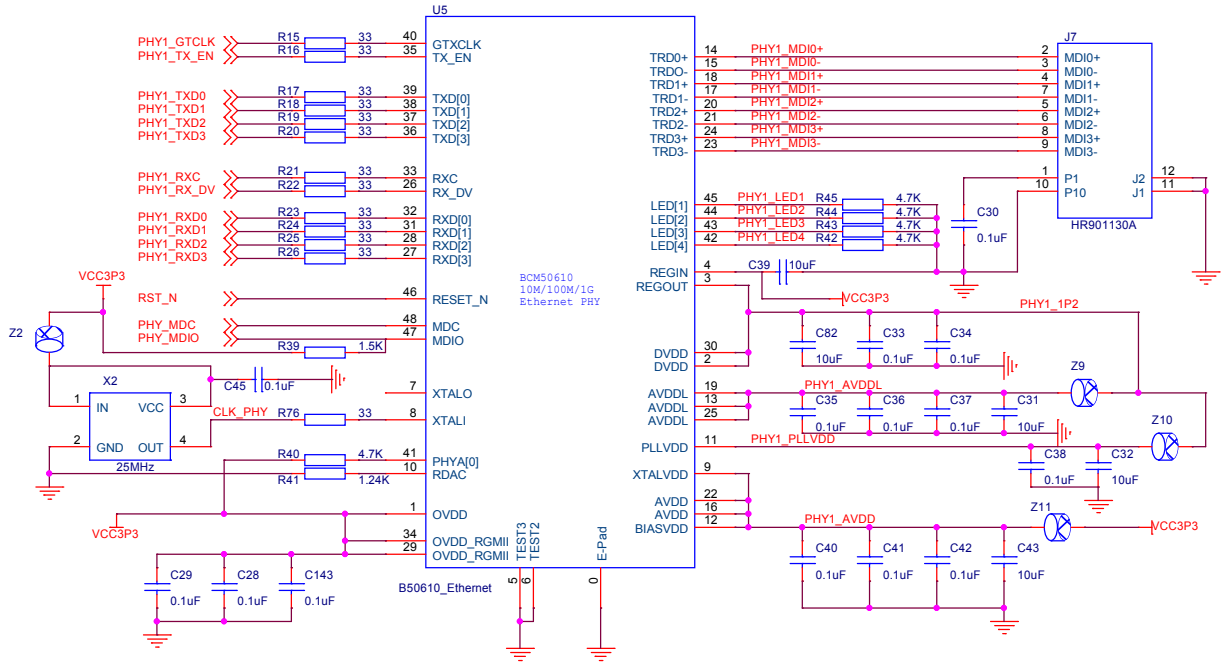


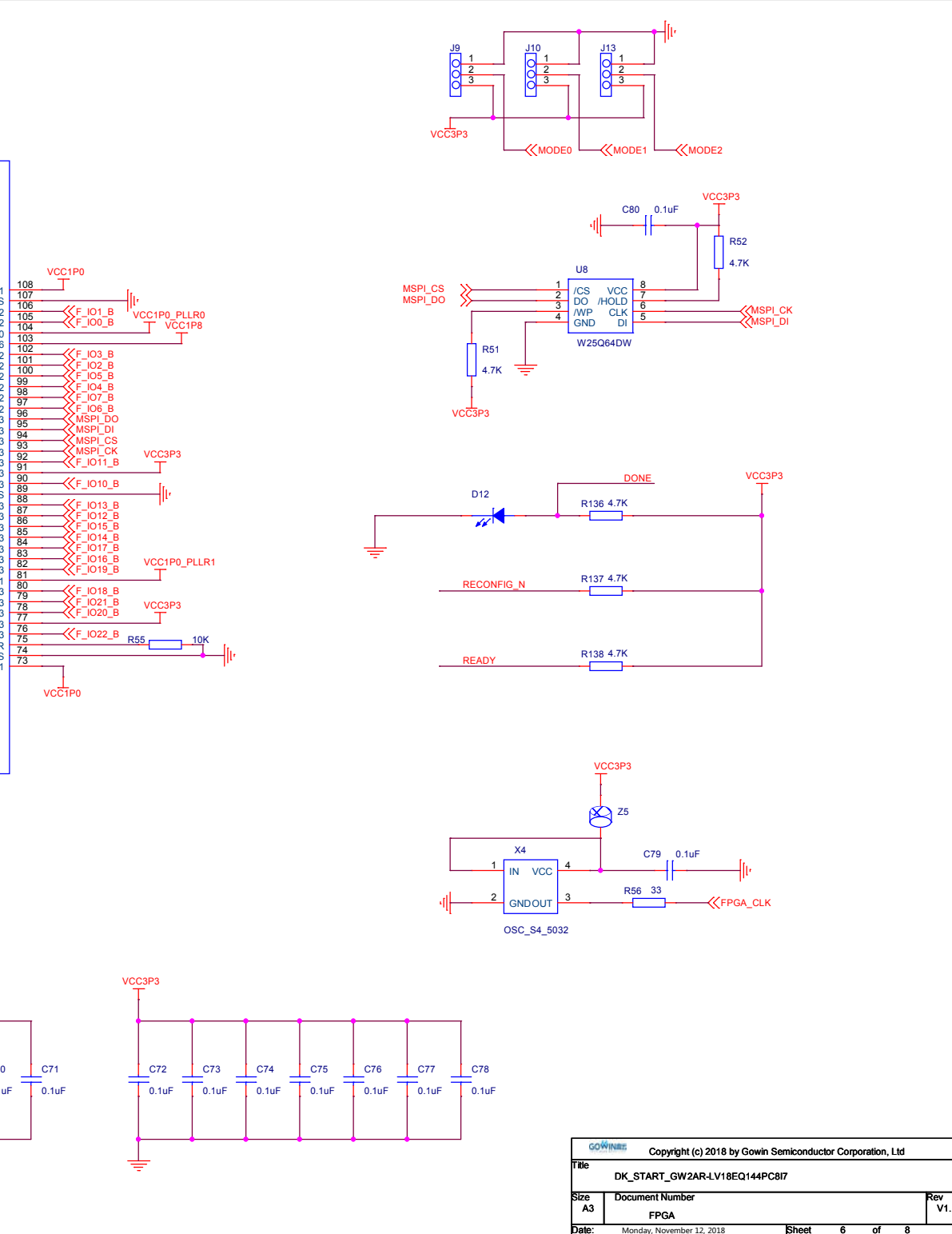
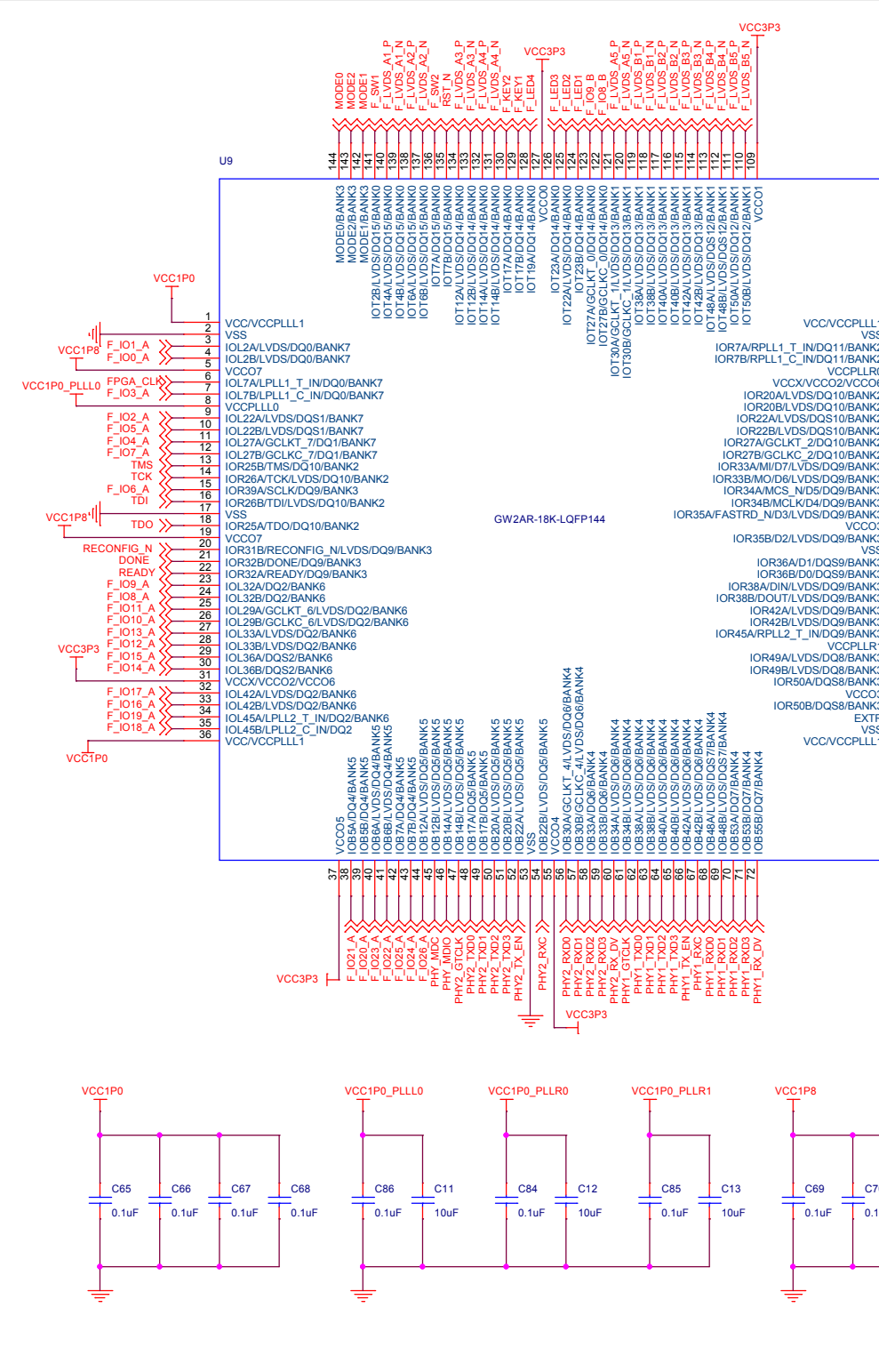


GOWIN			Copyright (c) 2018 by Gowin Semiconductor Corporation, Ltd
Title		DK_START_GW2AR-LV18EQ144PC817	
Size	Document Number	Rev	
A3	POWER	V1.1	
Date:	Monday, November 12, 2018	Sheet	3 of 8



GOWIN		
Copyright (c) 2018 by Gowin Semiconductor Corporation, Ltd		
Title	DK_START_GW2AR-LV18EQ144PC817	
Size	Document Number	Rev
A3	FPGA Download	V1.1
Date:	Monday, November 12, 2018	Sheet 4 of 8





GOWIN			Copyright (c) 2018 by Gowin Semiconductor Corporation, Ltd		
Title					
DK_START_GW2AR-LV18EQ144PC817					
Size					
A3	Document Number				Rev
FPGA					V1.1
Date: Monday, November 12, 2018					
Sheet					6 of 8

