

5

4

3

2

1

D

D

C

C

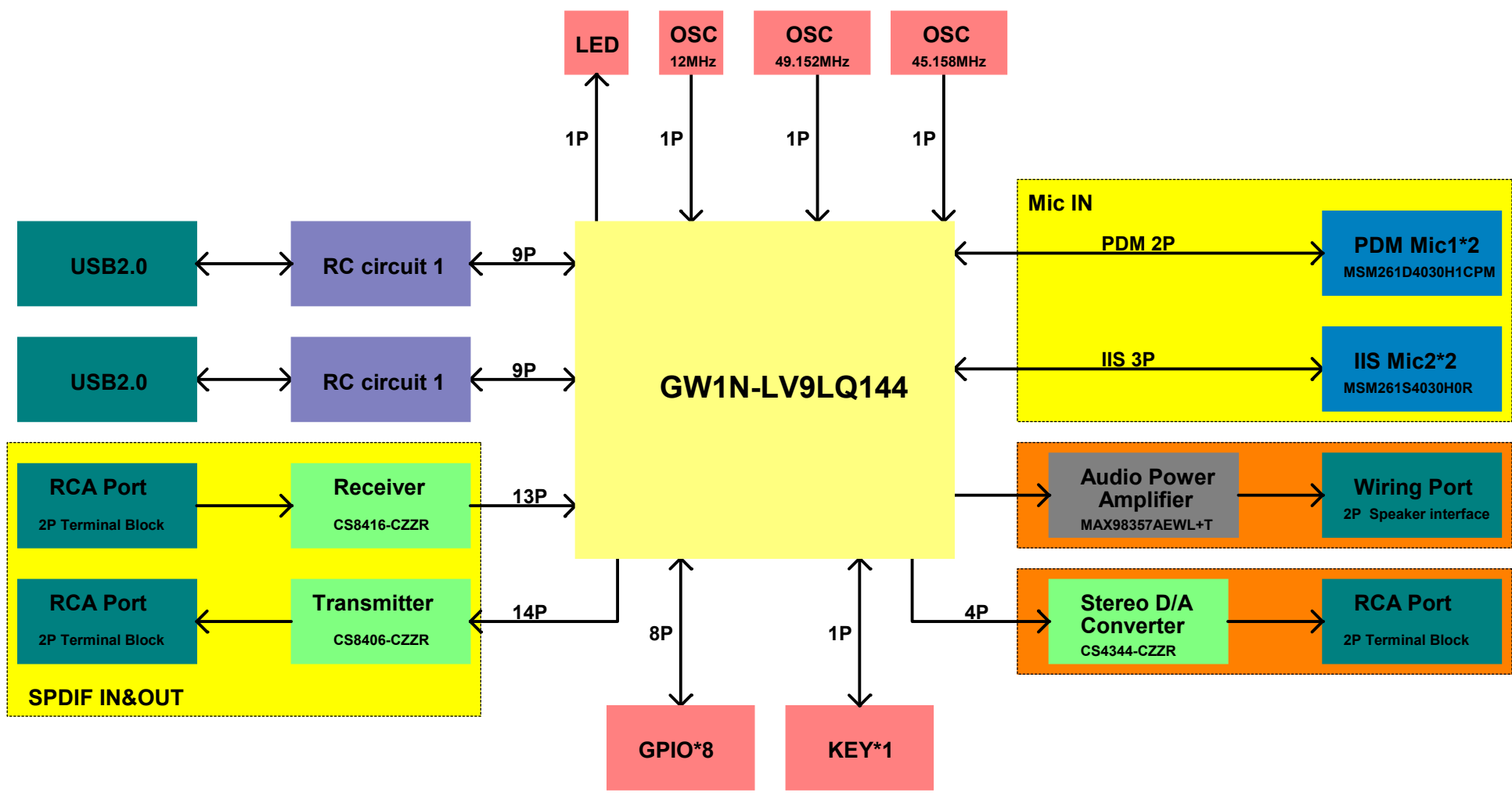
B

B

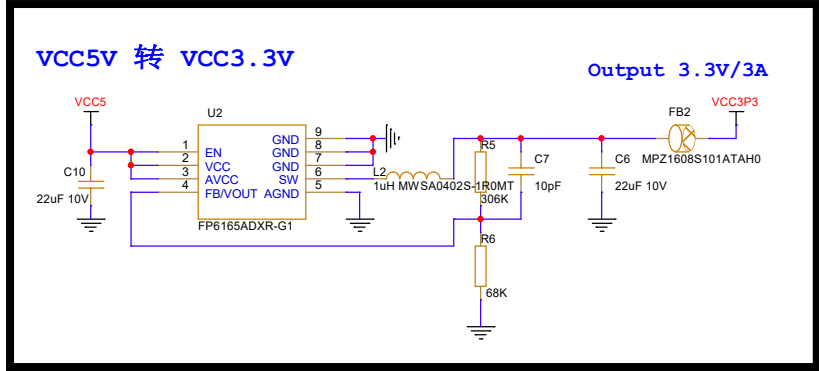
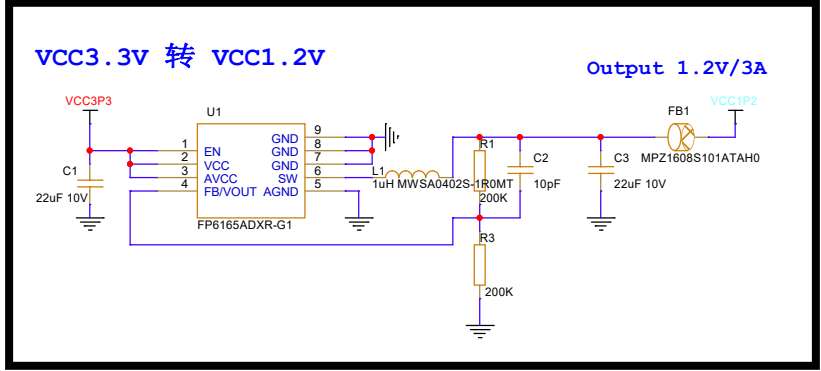
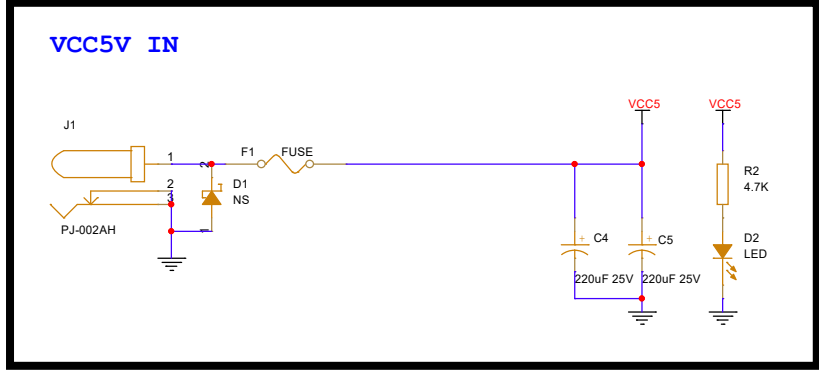
A

A

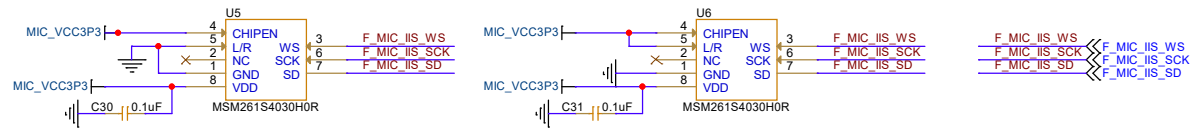
SCHEMATIC	CONTENT	PAGE
PAGE0	COVER PAGE	1
PAGE1	SYSTEM DIAGRAM	2
PAGE2	DC5V to 3.3V,1.2V	3
PAGE3	GW1N-LV9CLQ144C7I6	4
PAGE4	Mic IN	5
PAGE5	USB2.0	6
PAGE6	SPDIF	7
PAGE7	RCA,Horn	8
PAGE8	JTAG,GPIO	9



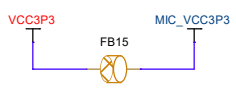
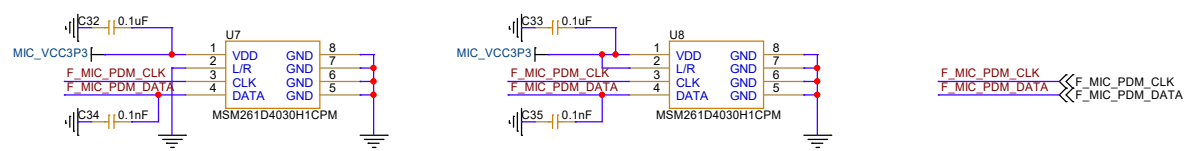
POWER DC5V to 3.3V, 1.2V



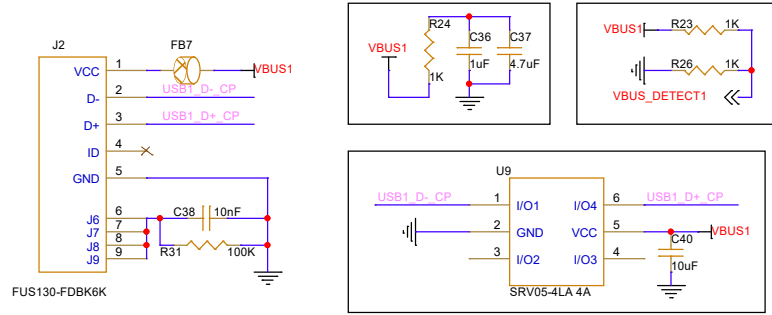
IIS Mic Array Input



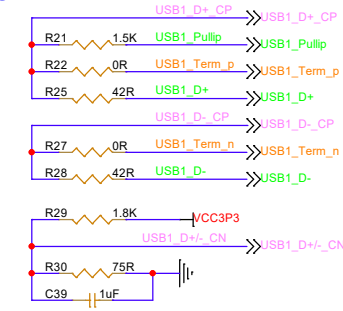
PDM Mic Array Input



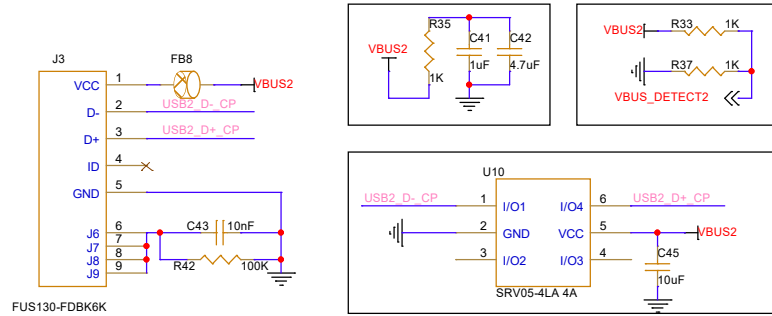
USB1



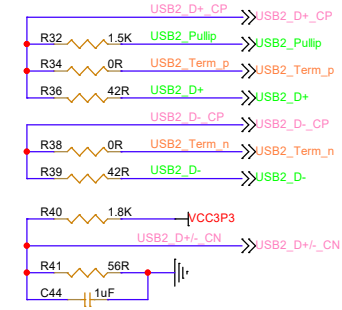
USB1-RC



USB2

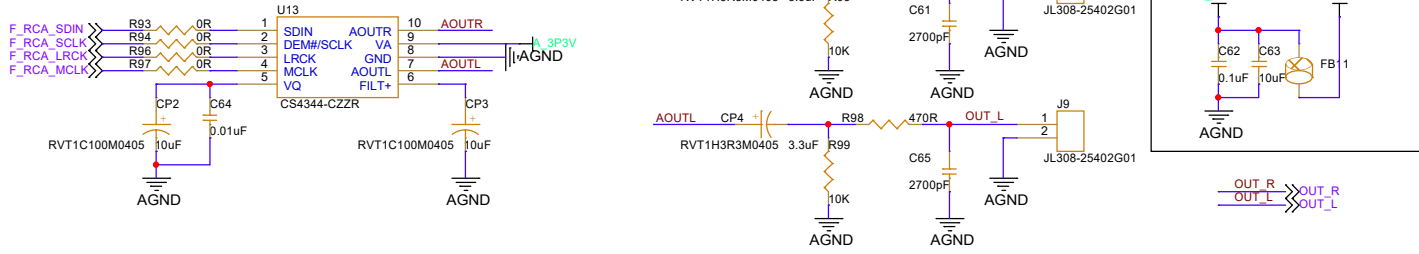


USB2-RC

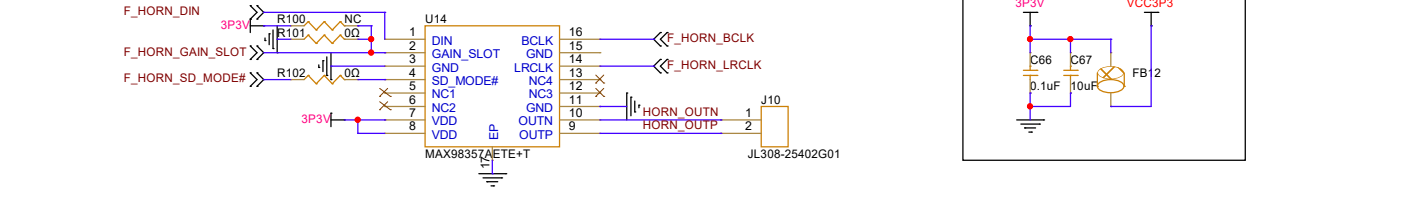


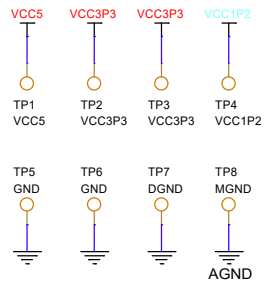
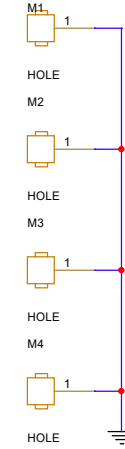
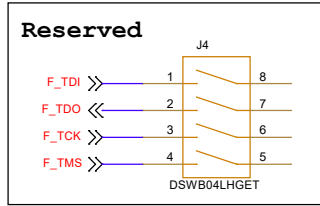
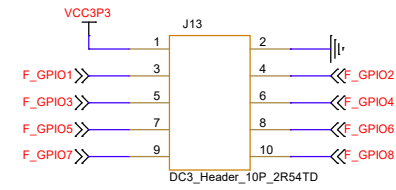
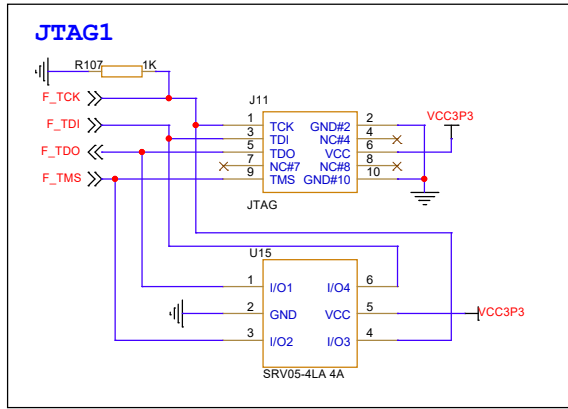
Title		
DK_UAC2_GW1N-LV9LQ144C716		
Size	Document Number	Rev
A3	USB2.0	V2.1
Date:	Thursday, April 03, 2025	Sheet 6 of 9

RCA Output



HORN Output





Title		
DK_UAC2_GW1N-LV9LQ144C716		
Size	Document Number	Rev
A3	JTAG,GPIO	V2.1
Date:	Thursday, April 03, 2025	Sheet 9 of 9